



# INSTALLATION INSTRUCTION ATV WINCH MOUNT

**Mount Kit: PN 34901**

**Application: POLARIS MAGNUM,  
SPORTSMAN & EXPLORER 500**

Your safety, and the safety of others, is very important. To help you make informed decisions about safety, we have provided installation and operating instructions and other information on labels and in this guide. This information alerts you to potential hazards that could hurt you or others. It is not possible to warn you about all potential hazards associated with this product, you must use your own good judgment.

**CARELESS INSTALLATION AND OPERATION CAN RESULT IN SERIOUS INJURY OR EQUIPMENT DAMAGE. READ AND UNDERSTAND ALL SAFETY PRECAUTIONS AND OPERATING INSTRUCTIONS BEFORE INSTALLING AND OPERATING THIS PRODUCT.**

This guide identifies potential hazards and has important safety messages that help you and others avoid personal injury or death.

**WARNING** and **CAUTION** are signal words that identify the level of hazard. These signal words mean:

**WARNING** signals a hazard that could cause serious injury or death, if you do not follow recommendations.

**CAUTION** signals a hazard that may cause minor to moderate injury, if you do not follow recommendations.

This guide uses **NOTICE** to call attention to important mechanical information, and **Note**: to emphasize general information worthy of special attention.

## WARNING

**SEVERE INJURY OR DEATH MAY RESULT IF YOU IGNORE ANY OF THE FOLLOWING.**

- **Read the Winch Operator’s Manual, ATV Operator’s Manual, and all warning labels before operating the winch and ATV.**
- **Stay clear of moving parts and cable. Keep others away when operating the winch.**
- **Inspect the winch mechanism, fasteners, and cable, before operating. Replace all worn or damaged parts before operating.**
- **Make sure the winch is deactivated when leaving the ATV unattended.**

## PARTS LIST:

<u>PART NO.</u>	<u>QUANTITY</u>	<u>DESCRIPTION</u>
65148	1	Winch mounting plate
35185	4	¼-20 Retaining nut
25680	4	¼-20 x ¾ hex bolt
34884	4	5/16-18 Self tapping hex bolt

## **INSTRUCTIONS:**

1. Remove the two top bolts on the side of radiator cover and the four Philips head screws in the side cowling as shown in figure 1.
2. Remove 2 of the six factory retainer clips from the cowlings on each side and replace with the four 1/4-20 retainer clips supplied with the kit.
3. Place mounting plate into position as pictured in figure 2. Attach at the top with the four 5/16-18 self-tapping cap screws supplied with the kit. Do not tighten fully at this time.
4. Place the plastic side cowlings with 1/4-20 retaining nuts back into position. Using the 1/4-20 cap screws run them through the mounting plate and the side radiator cover and into the retaining clips on the plastic cowling.

**NOTE:** When attaching the mounting plate, just start the hex cap screws by hand, tightening up just a couple of threads. Start at the bottom and working up. Keep everything as loose as possible until all fasteners have been started.

5. The winch that was purchased will have the cast hawse fairlead attached to a black L-shaped mounting bracket (fairlead plate). This bracket is needed in this installation if the mounting tabs are not built into the mounting plate. Place the fairlead plate with the cast hawse fairlead onto the mounting plate and place the winch on top of the fairlead plate. Run the four 5/16-18 x 1.00 mounting bolts and lock washers up through the mounting plate and the fairlead plate and into the winch.

**NOTE:** The mounting plate may have the front mounting tabs for the fairlead built into the plate. If this is the case the cast hawse fairlead will have to be removed from the black L-shaped bracket that came in the winch package. If the tabs are built into your mounting plate the black L-shaped bracket will not be used in this installation. Attach the winch directly to the mounting plate.

### **TIGHTEN ALL FASTENERS SECURELY AT THIS TIME.**

6. For electrical connections, refer to the winch manual supplied with the winch.

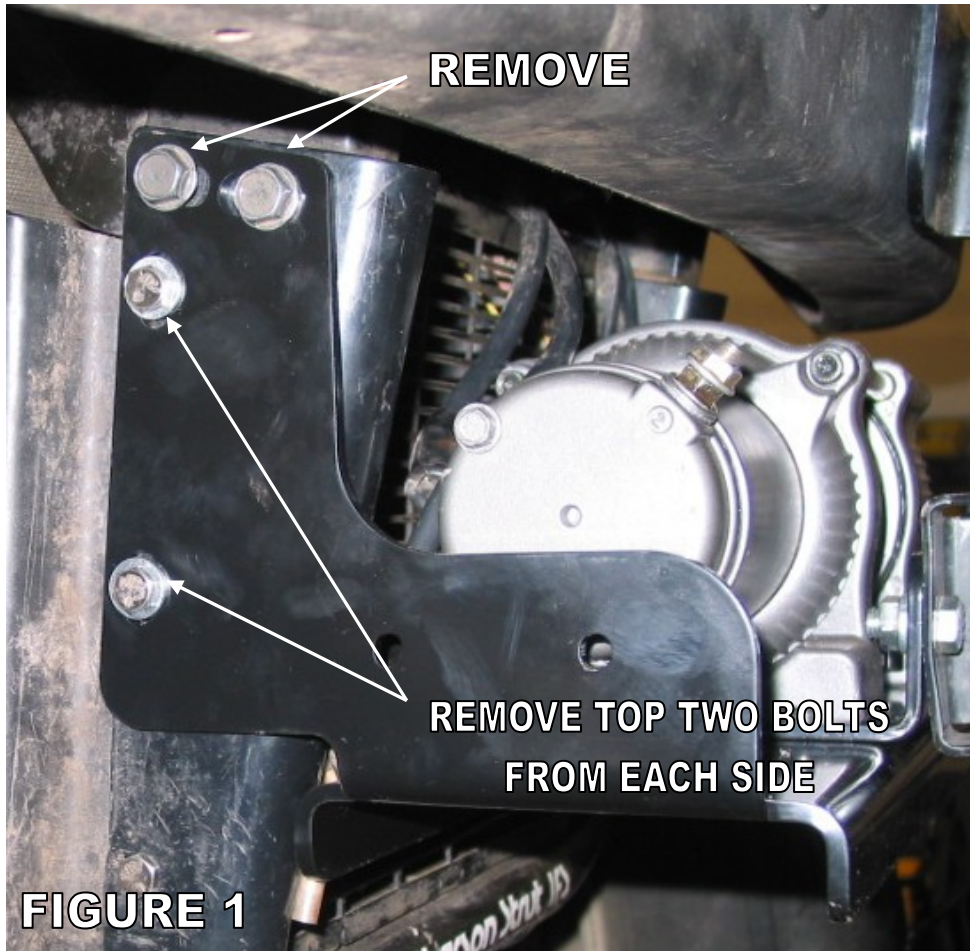


Figure 2

