



# INSTALLATION INSTRUCTIONS

## Trans4mer Grille Guard/Winch Mount Kit 76258 (Black) For Ford Super Duty Trucks

As you read these instructions, you will see **NOTES**, **CAUTIONS** and **WARNINGS**. Each message has a specific purpose. **NOTES** are additional information to help you complete a procedure. **CAUTIONS** are safety messages that indicate a potentially hazardous situation which, if not avoided, may result in minor or moderate injury. A **CAUTION** may also be used to alert against unsafe practice. **WARNINGS** are safety messages that indicate a potentially hazardous situation, which, if not avoided could result in serious injury. **CAUTIONS** and **WARNINGS** identify the hazard, indicate how to avoid the hazard, and advise of the probable consequence of not avoiding the hazard. **PLEASE WORK SAFELY!**

**NOTE:** This installation requires some hole drilling. These trucks have very large variations in the bumper to frame alignment and this requires that certain parts be custom drilled to fit each vehicle. Make sure you have a drill motor and a sharp 7/16" drill available.

### PARTS LIST

| PART NO. | QUANTITY | DESCRIPTION       |
|----------|----------|-------------------|
| 37978    | 2        | SIDE MEMBER, BLK  |
| or 37979 | 2        | SIDE MEMBER, CHR  |
| 29366    | 2        | TUBE, BLK         |
| or 29399 | 2        | TUBE, CHR         |
| 37980    | 1        | UPPER BRKT, RH    |
| 37981    | 1        | UPPER BRKT, LH    |
| 38048    | 1        | FRM EXT ASSY, RH  |
| 38049    | 1        | FRM EXT ASSY, LH  |
| 38055    | 2        | BRACE             |
| 38065    | 2        | NUT ASSY          |
| 38067    | 4        | SHIM PLATE        |
| 34074    | 1        | SEALANT, SILICONE |
| 61345    | 4        | SHIM, TRIANGULAR  |

## TORQUE SPECIFICATIONS

### BOLT SIZE

### TORQUE

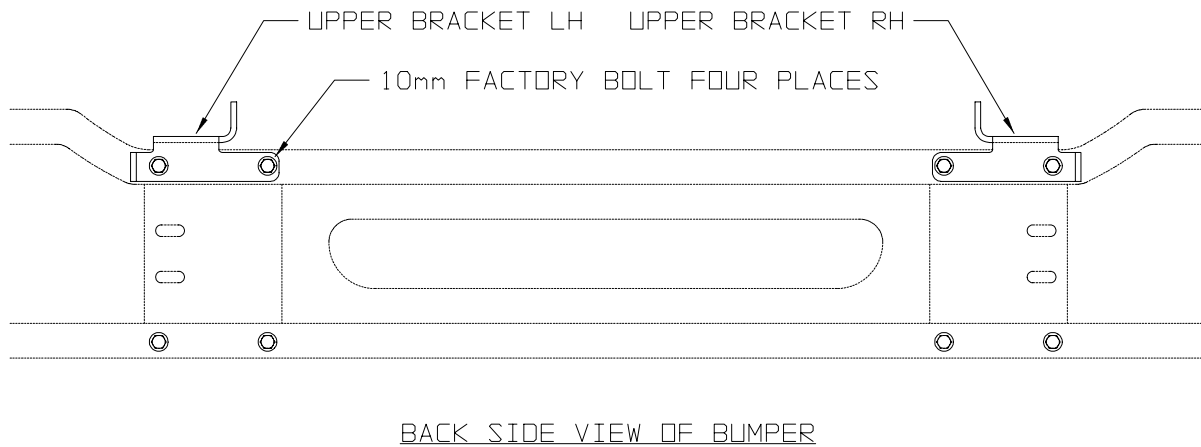
|           |                        |
|-----------|------------------------|
| 3/8 inch  | 30 lb. ft. (40.7 N-m)  |
| 7/16 inch | 50 lb. ft. (67.8 N-m)  |
| 1/2 inch  | 75 lb. ft. (101.7 N-m) |
| 10 mm     | 32 lb. ft. (43.4 N-m)  |
| 12 mm     | 58 lb. ft. (78.6 N-m)  |

**This WARN Trans4mer system** can be customized to give your Ford Super Duty truck a wide variety of looks, front end protection and winch mounting capability. The system starts with this strong two-tube Grille Guard that attaches to the truck's frame with brackets designed by Warn engineers to handle up to a 12000 lb winch. It is durable and good looking, even as a stand alone Grill Guard, but can be easily upgraded with some great options! You can add a third large size tube (Light Bar) that adds even more protection and includes tabs for mounting auxiliary lights. The tubes can be mounted in a variety of positions to achieve the look and function that you desire. You can mount a Winch Carrier Bracket that provides a permanent mount for a Warn winch. You may also add a Receiver Bracket that will handle the Warn Multi-mount winch system, a draw bar or any other accessory that fits the standard 2 inch receiver tube. Finally, Brush Guards that protect the headlights and front corners of the truck can be easily added to any of the options above.

**NOTE: Follow the step by step sequence for fastest installation. Do not securely tighten bolts until directed.**

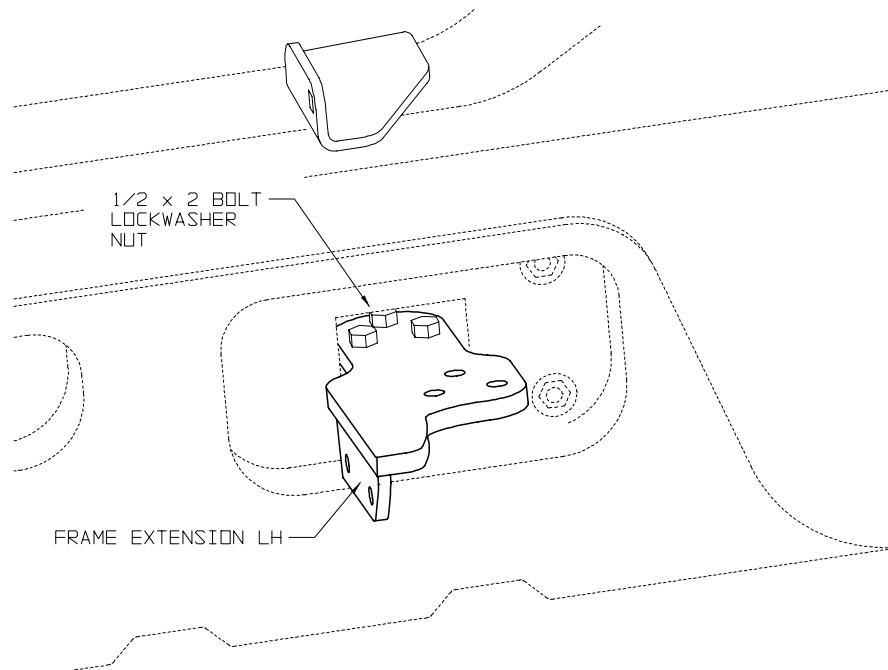
1. Take careful note of the space between the top of the bumper and bottom of the grille and light area. Check the side to side alignment of the bumper and whether the space is even all the way along. You will want to reinstall the bumper as good or even better than the factory alignment. There is plenty of adjustment available.
2. Remove the bumper. First pry out the 3 plastic fasteners holding the rubber baffle to the bottom of the bumper. Then remove the 2 dome head bolts outboard of the tow loops on each side. **Hint: Back out each bolt only a few turns at a time rotating bolt to bolt in sequence.** This will preserve the retention clips and special nuts.
3. Install the RH & LH Upper Brackets over the top of the bumper using existing bolts. See **Figure 1**. Tighten securely. **Hint: If the Brush Guard kit is also being installed, this is the ideal time to attach the Angle Brackets. Refer to the Brush Guard instructions.**

### **FIGURE 1**



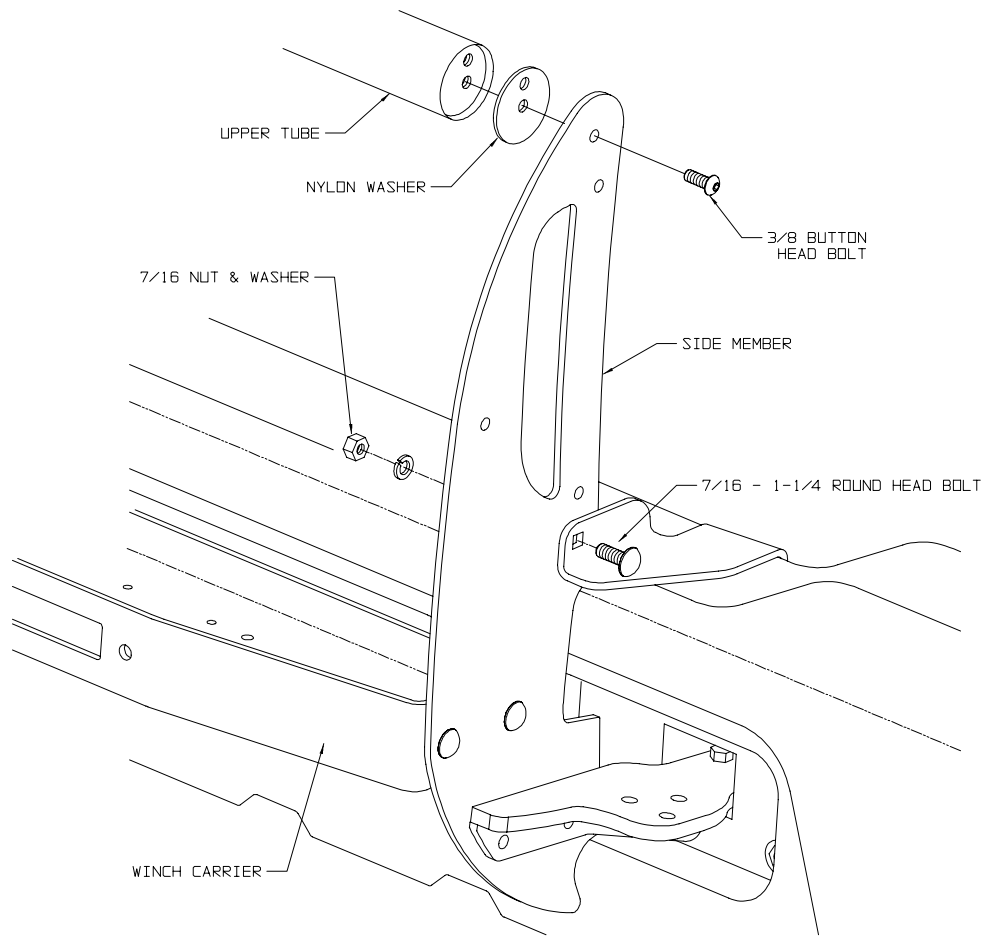
4. Remove both factory tow loops.  
(2wd trucks do not have the loops, but the 3 holes for them are in the frame. These holes are used in step 6 for the Frame Extensions. On 2wd only, the sheet metal panel on the front of the frame needs a large square hole cut out to allow the Frame Extensions to protrude inside to the 3 holes. The cutout should match the cutout in the factory bumper bracket.)
5. Install the bumper taking care to **line it up very evenly up and down and left to right**. The alignment of the Grille Guard depends upon the alignment of the bumper.
6. Refer to **Figure 2** and install the Frame Extensions into the frame using the tow loop holes. A hint here is to drop the 1/2 x 2 bolts into the Frame Extensions first, then maneuver them into position together. Tighten snug, but not fully torqued.

**FIGURE 2**



7. Install Side Members to the Upper Brackets as shown in **Figure 3**. Install the Upper Tube and the Winch Carrier (if being used) also at this time.

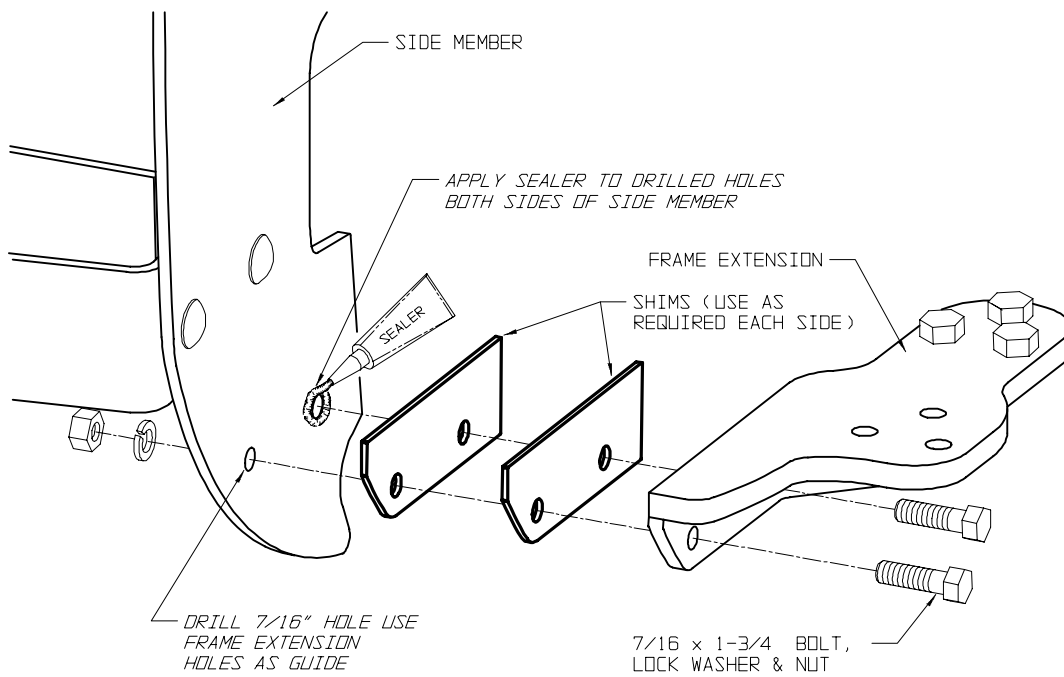
**FIGURE 3**



8. Observe the fit of the Frame Extensions to the Side Members and determine the number of Shim Plates to fill the space on each side. (**Figure 4**) Some vehicles may require all 4 on one side and none on the other. Tighten the Frame Ext. to frame bolts securely when they are aligned parallel to the side members.
9. The back edge of the Side Members should be adjusted to approximately 1/4" clearance to the bumper and lower plastic panel, then clamped to the Frame Extensions with the Shims in place. Check all alignments and clearances one more time, then drill the Side Members to match the Frame Extension holes. Use the supplied Silicone Sealer to coat and seal the drilled hole (**Figure 4**). Install bolts and tighten securely.

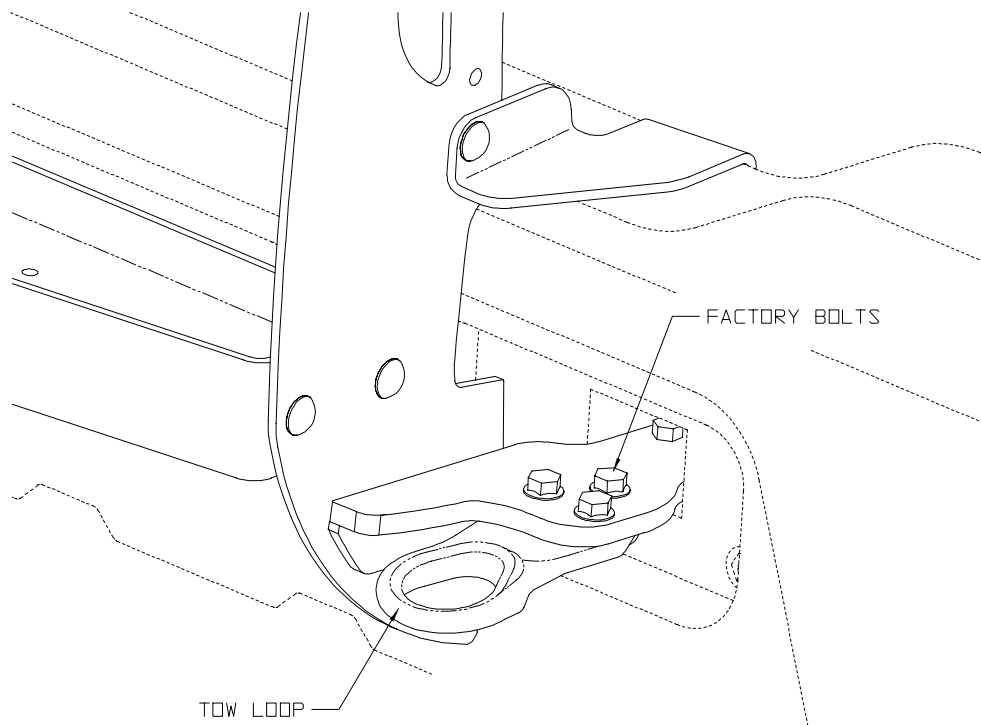
|  |  |
|--|--|
|  | <b><u>WARNING</u></b>  |
|  | Drilling operations can cause flying metal chips. <b>WEAR SAFETY GOGGLES.</b> Flying metal chips can cause eye injury. |

**FIGURE 4**



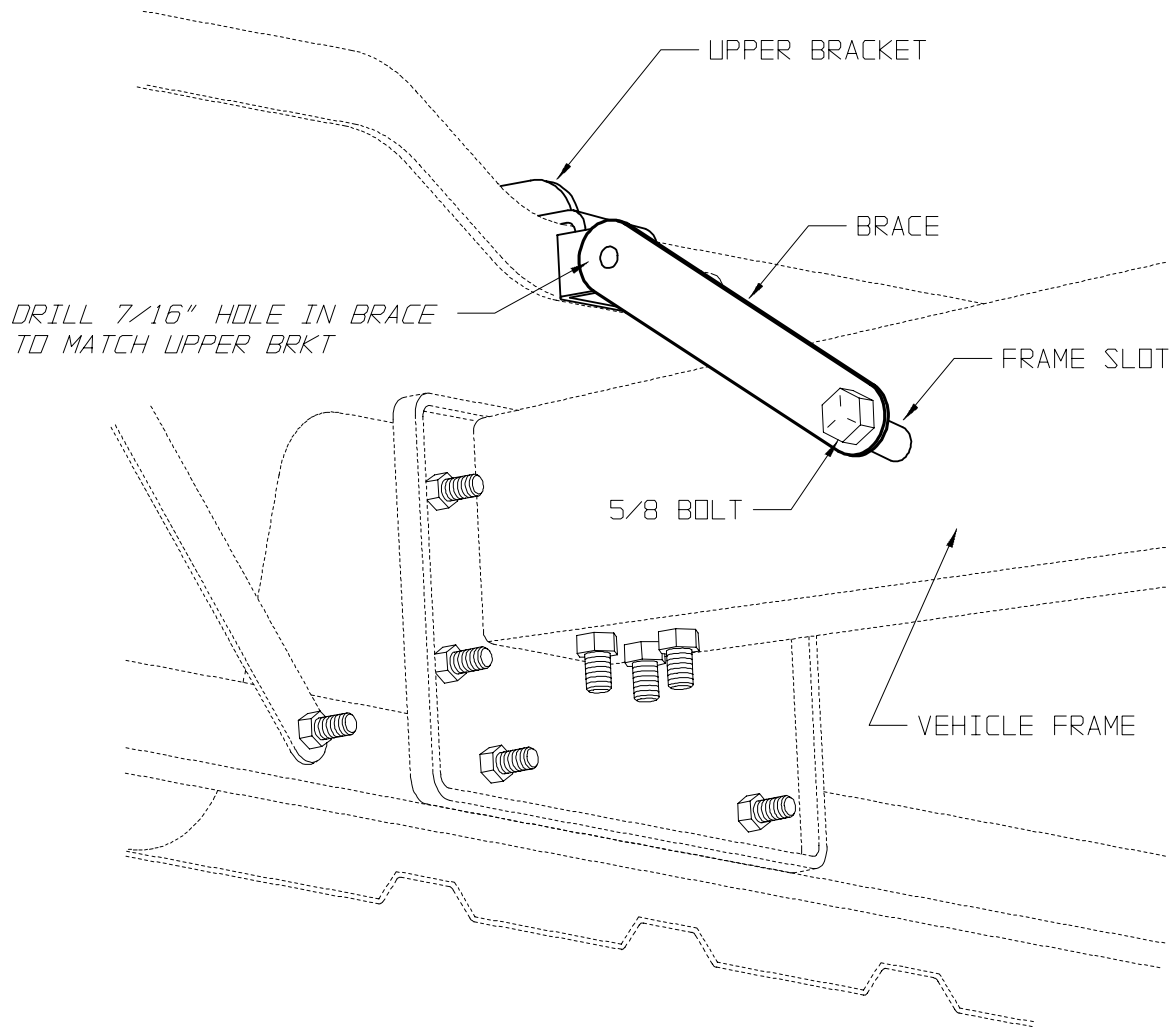
10. Install factory tow loops to bottom of Frame Extensions (**Figure 5**). **NOTE: If your tow loops have nuts attached to them, use the triangular shim plates and attach them to the top of the Frame Extensions (supplied bolts pointing up).** It may be necessary to grind roughness and some of the raised lettering flush to achieve a good fit.

**FIGURE 5**



11. Working in wheel well forward of front tire, install Brace to slanted slot in frame using the 5/8" bolt pulled all the way up and forward. Mark the forward end for drilling where it meets the tab on the back of the Upper Bracket (**Figure 6**). Drill 7/16" hole in each Brace. Install Brace using "Nut with Handle" inserted into front of frame. Bend wire handle as necessary to ease installation. Install fasteners and tighten securely.

**FIGURE 6**



12. When installing the Warn M10000 or M12000 winch, loosen the control box clamps and roll the box back on the motor until it just clears the Lower Grille Guard Tube. If the M8274 winch is mounted the Lower Tube cannot be installed.

13. If the Warn M8000 or XD9000 winch is installed, a special bracket is required to mount the control box above the winch drum as shown in **Figure 7**. This bracket is part number 26368 and is available through Warn dealers.

**FIGURE 7**

