

INSTALLATION INSTRUCTIONS FAIRLEAD ADAPTER PLATE

As you read these instructions, you may see **NOTES**, **CAUTIONS** and **WARNINGS**. Each message has a specific purpose. **NOTES** are additional information to help you complete a procedure. **CAUTIONS** are safety messages that indicate a potentially hazardous situation which, if not avoided, may result in minor or moderate injury. A **CAUTION** may also be used to alert against unsafe practice. **WARNINGS** are safety messages that indicate a potentially hazardous situation, which, if not avoided could result in serious injury. **CAUTIONS** and **WARNINGS** identify the hazard, indicate how to avoid the hazard, and advise of the probable consequence of not avoiding the hazard. **PLEASE WORK SAFELY!**

WARNING

THE FAIRLEAD ADAPTER PLATE MUST BE ADEQUATELY INSTALLED TO WITHSTAND THE PULLING POWER OF THE WINCH BEING INSTALLED. FAILURE TO ADEQUATELY INSTALL THE FAIRLEAD ADAPTER PLATE COULD RESULT IN SERIOUS INJURY AND/OR DEATH.

General Information:

- Instructions for Trailer Winch Plate.
- A winch fairlead must be installed per application. Use Warn P/N 36265 or 28929 for small winches, i.e. 1700 LB to 4700 LB and M6000 SD (short drum) winch.

Step by Step Instructions:

1. Place adapter plate over large fairlead slot and line up with fairlead holes in winch mounting plate.
2. Attach as shown in Figure 1 and tighten.
3. Install winch fairlead.

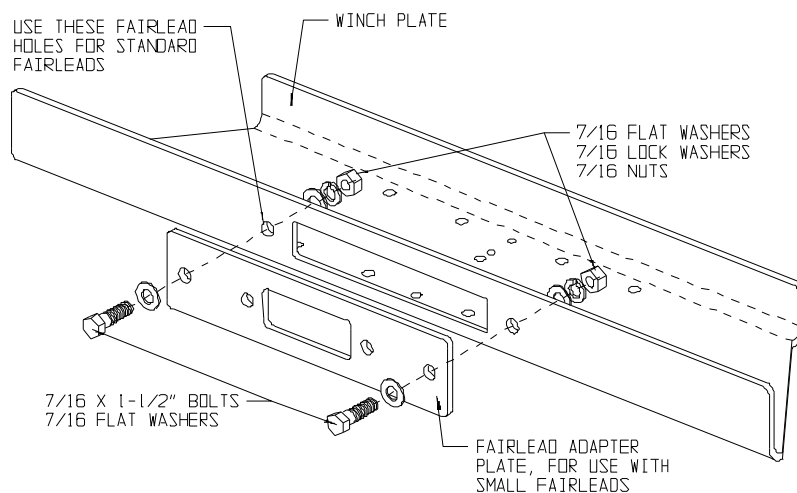


Figure 1