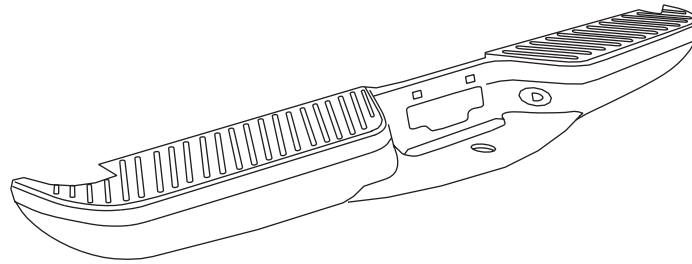




# INSTALLATION INSTRUCTIONS

APPLICATION: 1997 - 2003 FORD F-150 TRUCK  
 1997 - 1999 FORD F-250 LD TRUCK  
 2004 FORD F-150 HERITAGE TRUCK  
 (EXCLUDES SUPER CREW AND FLARESIDE MODELS)

BUMPER KIT: 31002/ 32002



**PERFECT MATCH BUMPER**

QTY	MOUNTING KIT CONTENTS	QTY	BUMPER KIT CONTENTS	TOOLS REQUIRED
4	1/2-13 X 1-1/2" CARRIAGE BOLT	1	BUMPER	3/4 SOCKET
4	1/2-13 HEX NUT	1	LICENCE PLATE LIGHT KIT	RATCHET
4	1/2" FLAT WASHER			TORQUE WRENCH
4	1/2" SPLIT LOCK WASHER			WIRE CRIMPING TOOL
2	BOLT PLATE			
4	PLASTIC RETAINER			

- STEP 1:** Align bolt plates with mounting holes in the bumper (bolt plates go on the inside of the bumper hitch). Pass carriage bolts through the bolt plate and bumper hitch so that the bolts protrude from the bumper. Place plastic retainers on the carriage bolts to hold the assembly in place for ease of installation. Refer to Figure 1.
- STEP 2:** Align bumper so the carriage bolts pass through the frame holes of the truck. Use the 1/2" washer, lock washer and hex nut to secure the bumper. Hand tighten hardware. Refer to Figure 1.
- STEP 3:** Position bumper squarely to the tailgate and allow clearance for the tailgate to open. Using a torque wrench, tighten hardware to 60-65 ft-lbs.
- STEP 4:** Use square plastic grommets and screws to install license plate. Refer to Figure 2.
- STEP 5:** Install license plate lights into bumper. Splice light wires into truck wiring using supplied connectors. Ensure license plate lights are functioning properly. Refer to Figure 3.

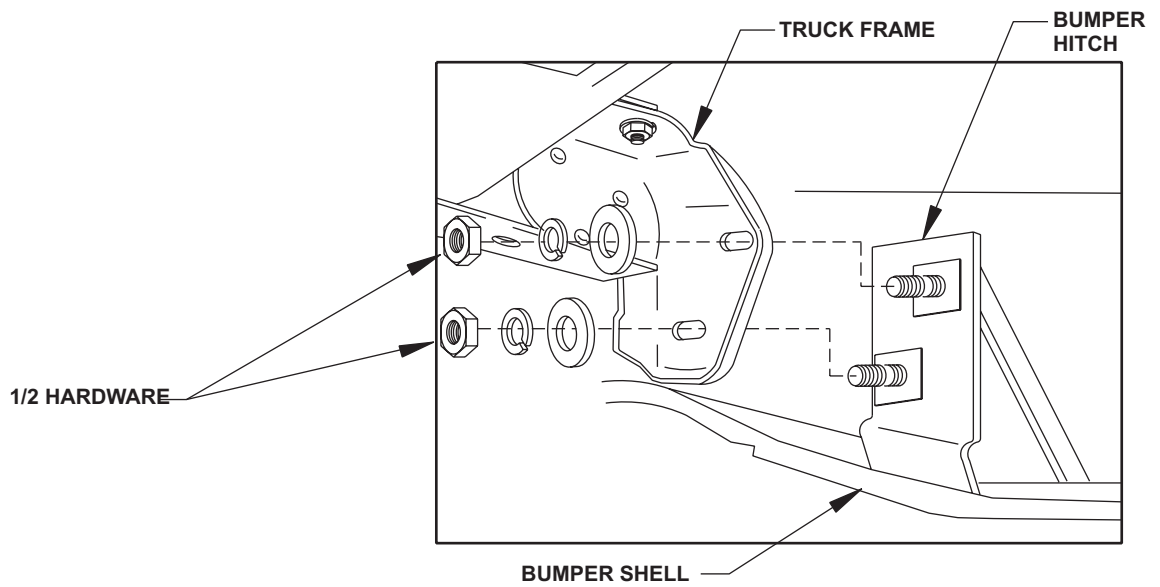
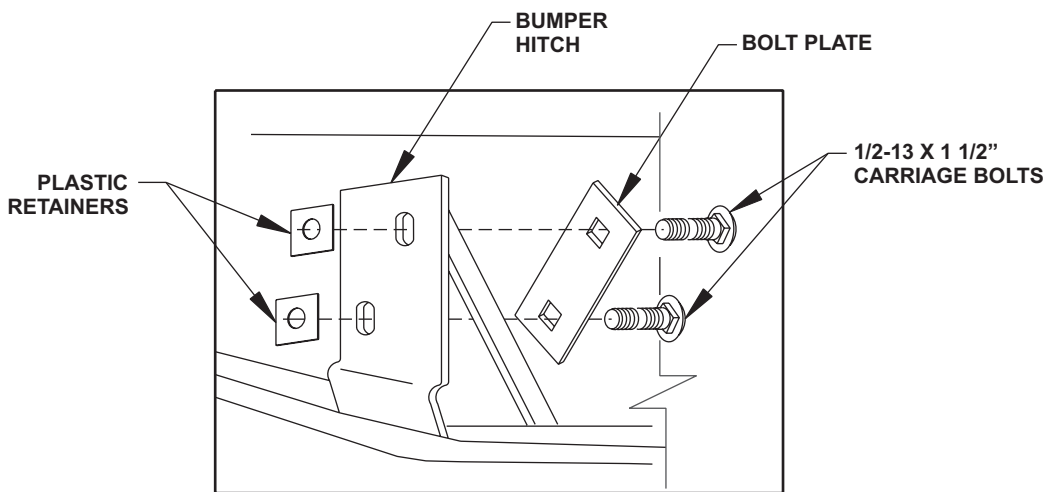
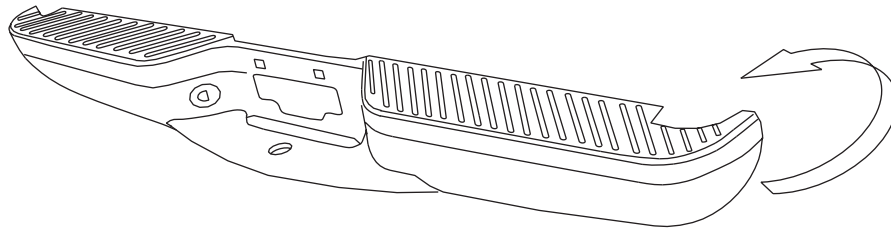


FIGURE 1 (PASSENGER SIDE VIEW)

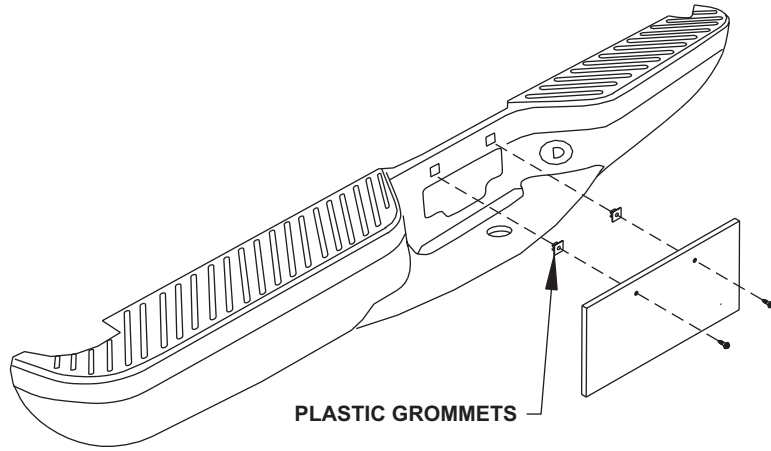


FIGURE 2

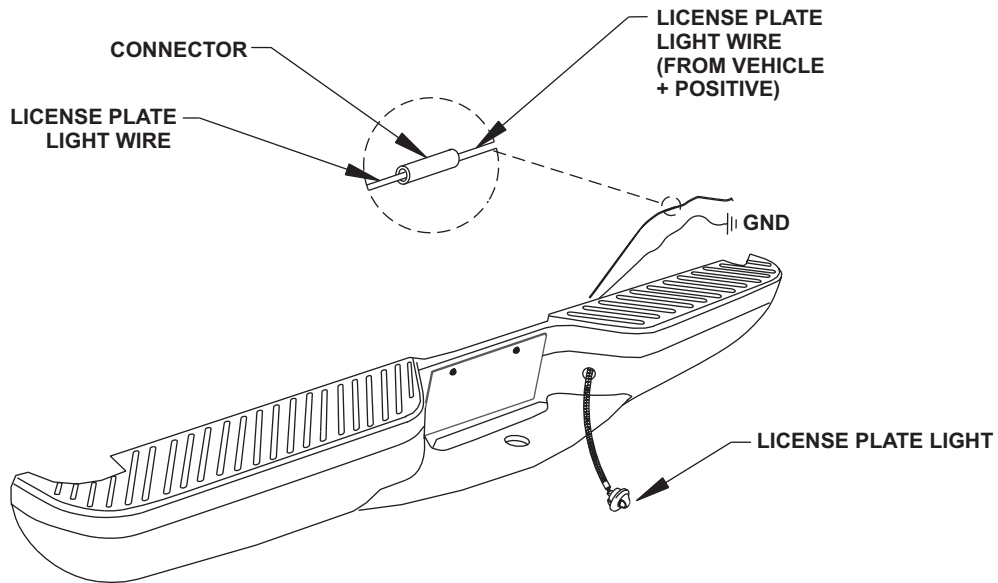


FIGURE 3