



SIGNATURE OF QUALITY

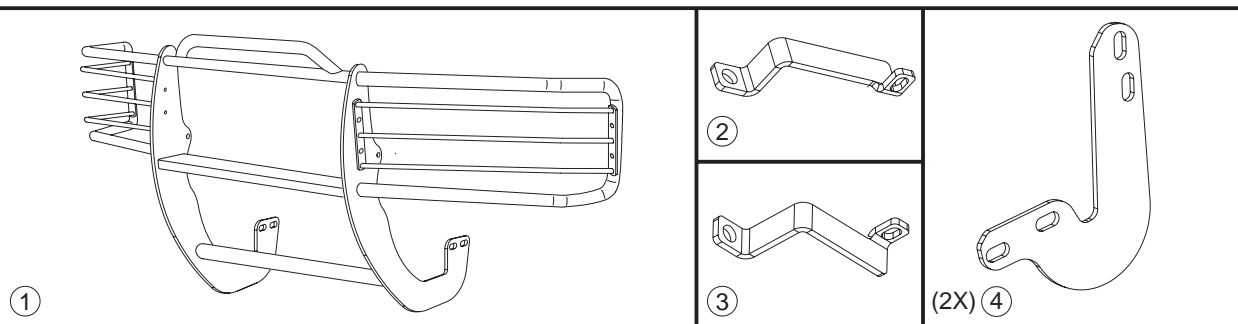
AUTOMOTIVE PRODUCTS, INC.

INSTALLATION INSTRUCTIONS

APPLICATION: 1997-04 DODGE DAKOTA
1998-03 DODGE DURANGO

SPORTSMAN
ASSEMBLY

45-0140
40-0145



PARTS KIT CONTENTS

ITEM	QTY	DESCRIPTION
1	1	SPORTSMAN ASSEMBLY
2,3	2	TOP BRACKET, PASSENGER(2) AND DRIVER(3)
4	2	BOTTOM BRACKET
5	4	M12-1.75 X 35MM HEX HEAD BOLT, STAINLESS STEEL
6	8	M12 FLAT WASHER, STAINLESS STEEL
7	4	M12 LOCK WASHER, STAINLESS STEEL
8	4	M12-1.75 HEX NUT, STAINLESS STEEL
9	2	M10-1.5 X 30MM BUTTON HEAD BOLT, STAINLESS STEEL
10	4	M10 FLAT WASHER, STAINLESS STEEL
11	2	M10 LOCK WASHER, STAINLESS STEEL
12	2	M10-1.5 HEX NUT, STAINLESS STEEL
13	2	ANTI-REFLECTIVE TAPE (POLISHED ASSEMBLIES ONLY)

TOOLS REQUIRED

9/16" SOCKET
18MM WRENCH

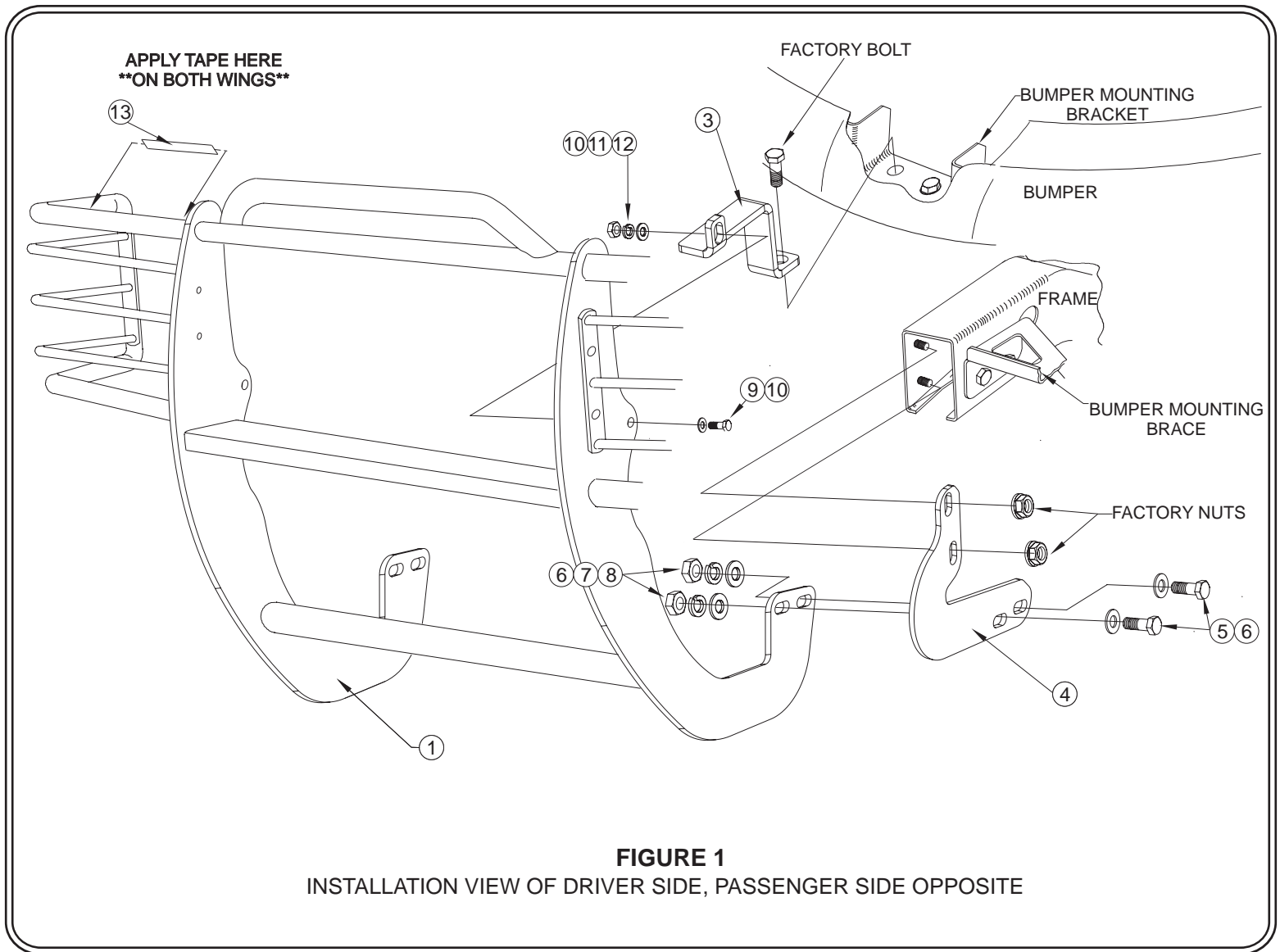
18MM SOCKET
19MM WRENCH

19MM SOCKET
RATCHET

17MM SOCKET
EXTENSION

NOTE: Westin advises the installer to use a thread lubricant on all stainless hardware.

- STEP 1. Remove the contents from box and check for damage. Verify all parts are present. Read instructions completely before beginning.
- STEP 2. Open hood of truck. Locate two bumper bracket bolts just behind the bumper. Remove the innermost bolt from each side and install top brackets using the original bumper bolts. **SEE FIGURE 1.**
- STEP 4. From under vehicle, locate bumper bolts on inside of frame. Remove the two hex nuts. Position bottom brackets pointing towards the rear of the vehicle, and fasten using the previously removed hex nuts. Leave loose. **SEE FIGURE 1.**
- STEP 5. Place cardboard under vehicle. Lay Sportsman on cardboard with front side down. Align rearmost upright holes with rear bracket slots and fasten together using M12 fasteners as shown. Leave loose.
- STEP 6. Slowly rotate Sportsman Assembly up to vehicle and attach to top brackets using M10 fasteners. Leave loose. Install remaining M12 fasteners in bottom brackets. Hand tighten.
- STEP 7. Center and level Sportsman with vehicle. **Close Hood Slowly**, to insure the hood clears the Sportsman Assembly then reopen.
- STEP 8. Tighten all hardware.
- STEP 9. For polished assemblies. If light glare is being experienced off the wings of the Sportsman, anti-reflective tape has been supplied to reduce glare. With headlights on, note where the reflection is concentrated on the wing. Clean the wing well with a non-abrasive cleaner (rubbing alcohol works the best.) Trim the anti-reflective tape to the appropriate size where the glare was located and apply tape. **SEE FIGURE 1.**



Finish protection - Westin products have a high quality finish that must be cared for like any other exposed finish on the vehicle. Protect the finish with a non-abrasive automotive wax (pure carnauba, for example) on a regular basis. The use of cleaner wax or any compound which contains an abrasive is detrimental, as the compounds scratch the finish and open it to corrosion.



Westin Automotive Products, Inc.
5200 N. Irwindale Ave. Suite 220
Irwindale, Ca. 91706

Thank You for choosing Westin products
For additional installation assistance please call
Customer service (800) 793-7846 or (507) 375-3559