



INSTRUCTIONS—INSTRUCCIONES—CONSIGNES

AUTOMOTIVE PRODUCTS, INC.

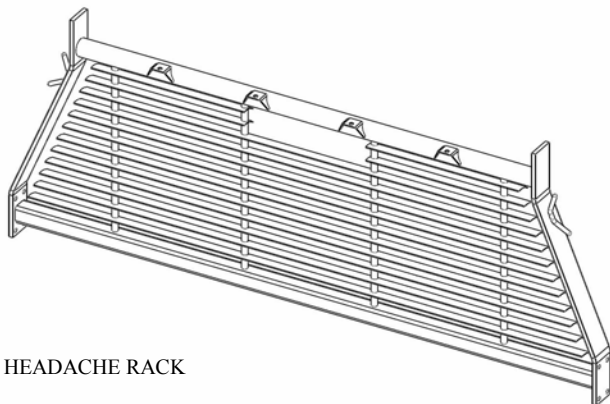
APPLICATION: 08-UP FORD SUPERDUTY, 99-07 CHEVY/GMC SILVERADO/SIERRA "CLASSIC"
 1500/2500/3500, 08-11 CHEVY/GMC SILVERADO/SIERRA 1500/2500/3500, 04-08 FORD F-150, 09-11 FORD
 F150, 07-11 TOYOTA TUNDRA, 02-UP DODGE RAM 1500, 03-UP DODGE RAM 2500/3500
 APP PART # 57-8003, 57-8005, 57-8023, 57-8025, 57-8033, 57-8035
 HDX HEADACHE RACK

ITEM	QUANTITY	DESCRIPTION	TOOLS NEEDED
1	1	HEADACHE RACK	18MM SOCKET
2,3	2	MOUNTING BRACKETS (2) DRIVERS SIDE, (3) PASSENGER SIDE	18MM WRENCH
4	8	M12 BUTTON HEAD BOLTS	8MM ALLEN TOOL
5	24	M12 FLAT WASHERS	RATCHET
6	12	M12 LOCK WASHERS	TORQUE WRENCH
7	12	M12 HEX NUTS	2FT EXTENSION (OPTIONAL)
8	4	M12 X 60MM HEX HEAD BOLTS	
9	2	SPACER PLATES(FOR USE ON 09-11 FORD F150)	
10	2	M12 BOLT PLATES	
11	2	M12 PLASTIC RETAINERS	

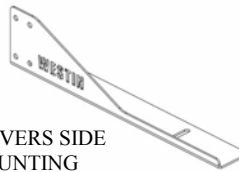
1. Remove all contents from box, verify all parts listed are present and free from damage. Carefully read and understand all instructions before attempting installation.
2. Assemble the drivers and passenger side mounting brackets to the headache rack using (8) M12 button head bolts, (16) M12 flat washers, (8) M12 lock washers, and (8) M12 hex nuts. Do not fully tighten at this time. Fig 1
3. Take the assembled headache rack and place it on the bed rails and center the assembly. Mark the four drill locations then remove the rack and brackets. Fig 1
4. Drill the previously marked holes with a 9/16" drill bit. NOTE: 09-11 FORD F150's using the factory bed caps should use the provided spacer plates under the front of the mounting brackets to level the headache rack.
5. Install the driver side mounting bracket starting with the forward most mounting location using the options detailed in Figs 1 and 2. Rotating the mounting bracket 90° allows access to the fasteners through the stake pocket. Repeat for passenger side bracket.
6. Install the headache rack to the mounting brackets as in step 2. NOTE : the light tabs on the upper cross-member face the cab.
7. Align and adjust the headache rack as needed then fully tighten all hardware. Torque all M12 fasteners to 50-55 ft lbs.

CARE INSTRUCTIONS

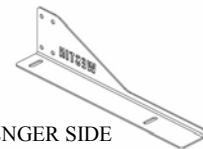
- REGULAR WAXING IS RECOMMENDED. DO NOT USE ANY TYPE OF POLISH OR WAX THAT MAY CONTAIN ABRASIVES
- STAINLESS STEEL PRODUCTS CAN BE CLEANED WITH MILD SOAP AND WATER. STAINLESS STEEL POLISH SHOULD BE USED TO POLISH SMALL SCRATCHES.



HEADACHE RACK



DRIVERS SIDE MOUNTING BRACKET



PASSENGER SIDE MOUNTING BRACKET



SPACER PLATE



Westing Automotive Products, Inc.
 5200 N. Irwindale Ave. Suite 220
 Irwindale, Ca. 91706

Thank You for choosing Westin products
 For Additional installation assistance please call
 Customer service (800) 793-7846
www.westinautomotive.com

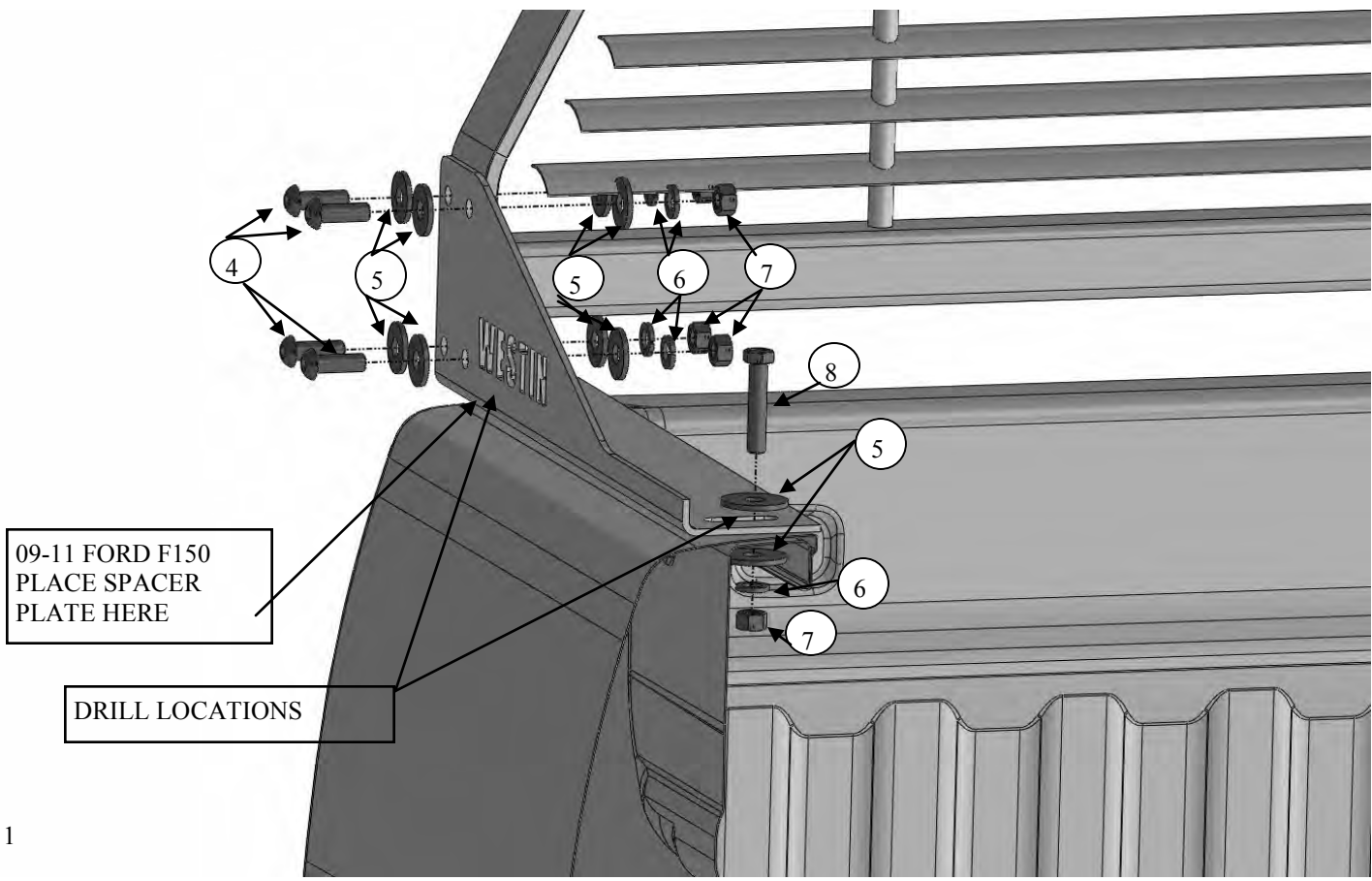


FIG 1

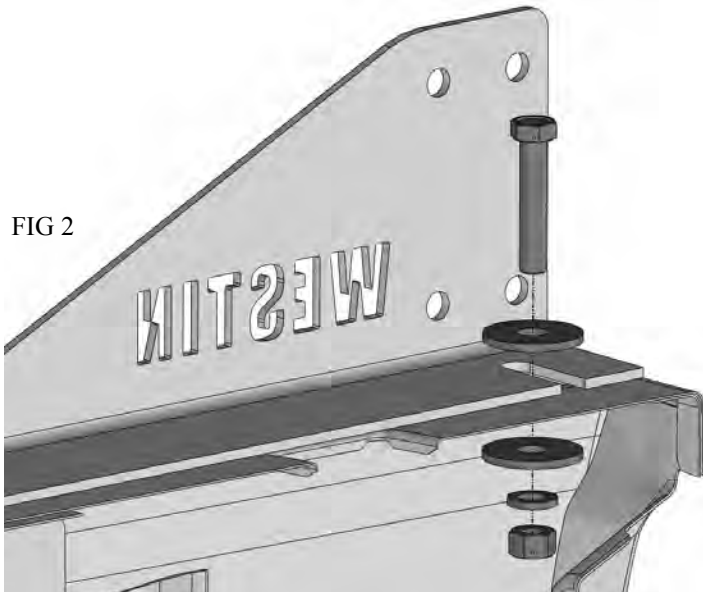


FIG 2

OPTION A: USE THIS BOLT/WASHER/NUT INSTALLATION METHOD IF ACCESS TO THE LOWER NUT IS AVAILABLE. A 2FT RATCHET EXTENSIONS WORKS WELL FOR THIS.

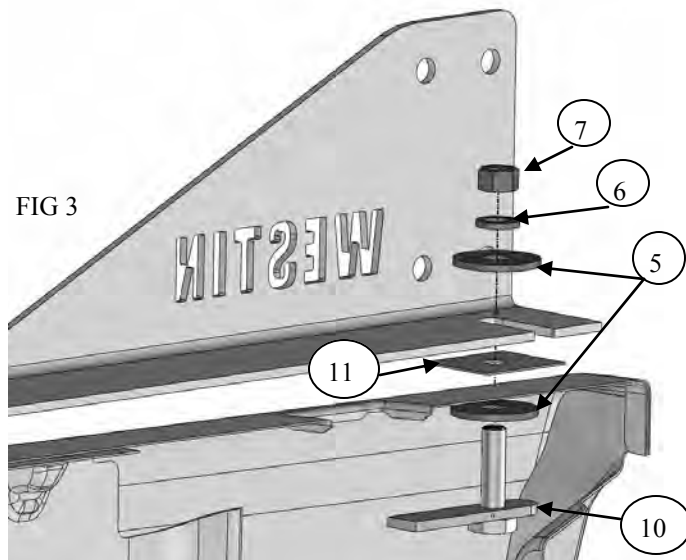


FIG 3

OPTION B: USE THIS BOLT PLATE INSTALLATION METHOD IF THERE IS NO ACCESS FOR OPTION A. USE A PLASTIC RETAINER TO PREVENT THE BOLT PLATE FROM FALLING.

Westin. Westing Automotive Products, Inc.
 5200 N. Irwindale Ave. Suite 220
 Irwindale, Ca. 91706
SIGNATURE OF QUALITY

Thank You for choosing Westin products
 For Additional installation assistance please call
 Customer service (800) 793-7846
www.westinautomotive.com