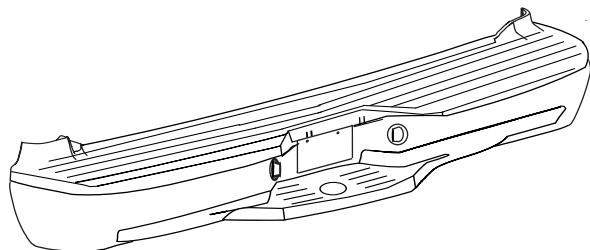




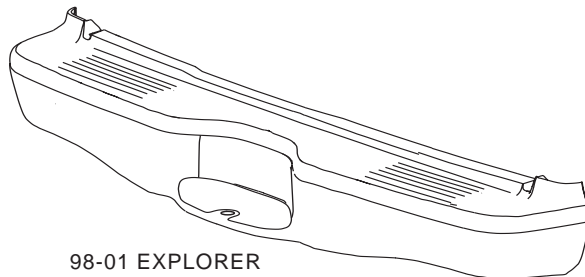
INSTALLATION INSTRUCTIONS

**APPLICATION: 1995-1997 FORD EXPLORER
1998-01 FORD EXPLORER
1998-02 FORD EXPLORER SPORT**

BUMPER KIT: 31010, 32010, 33010



95-97 EXPLORER



98-01 EXPLORER
98-02 EXPLORER SPORT

| ITEM NO. | QTY | PART KIT CONTENTS DESCRIPTION | TOOLS REQUIRED |
|---------------------------------|-----|--------------------------------------|--|
| ① | 8 | 1/2"-13 X 1.50" HEX HEAD BOLT | 3/4" COMBINATION WRENCH 3/4" SOCKETS RATCHET TORQUE WRENCH WIRE CRIMPING TOOL FLATHEAD SCREWDRIVER NYLON STRAPS (OPTIONAL FOR 95-97 EXPLORER LIGHT KIT). |
| ② | 16 | 1/2" FLAT WASHER, SAE | |
| ③ | 8 | 1/2" SPLIT LOCK WASHER | |
| ④ | 8 | 1/2"-13 HEX NUT | |
| BUMPER KIT CONTENTS DESCRIPTION | | | |
| | 1 | BUMPER | |
| | 1 | LICENSE PLATE LIGHT KIT (95-97 ONLY) | |
| | 1 | MOUNTING BRACKET SET | |

STEP 1. Position the mounting brackets as shown, aligning the mounting bracket holes with the hitch bracket holes. Make sure the bracket is not upside down or mounted on the wrong side. Refer to Figure 1.

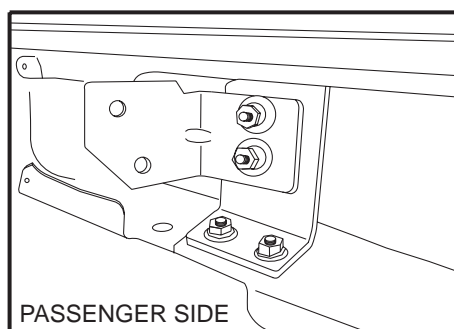


FIGURE 1

- STEP 2.** Pass (1) 1/2"-13 X 1.50" bolt, (2) 1/2" washers and (1) 1/2" split lock washer through each of the bracket mounting holes. Refer to Figure 2.
- STEP 3.** Hand tighten (1) 1/2"-13 hex nut onto each bolt. Use a 3/4" combination wrench to prevent each bolt from rotating while tightening each nut.
- STEP 4.** Install license plate lights into bumper. (For 95-97 Explorer only).

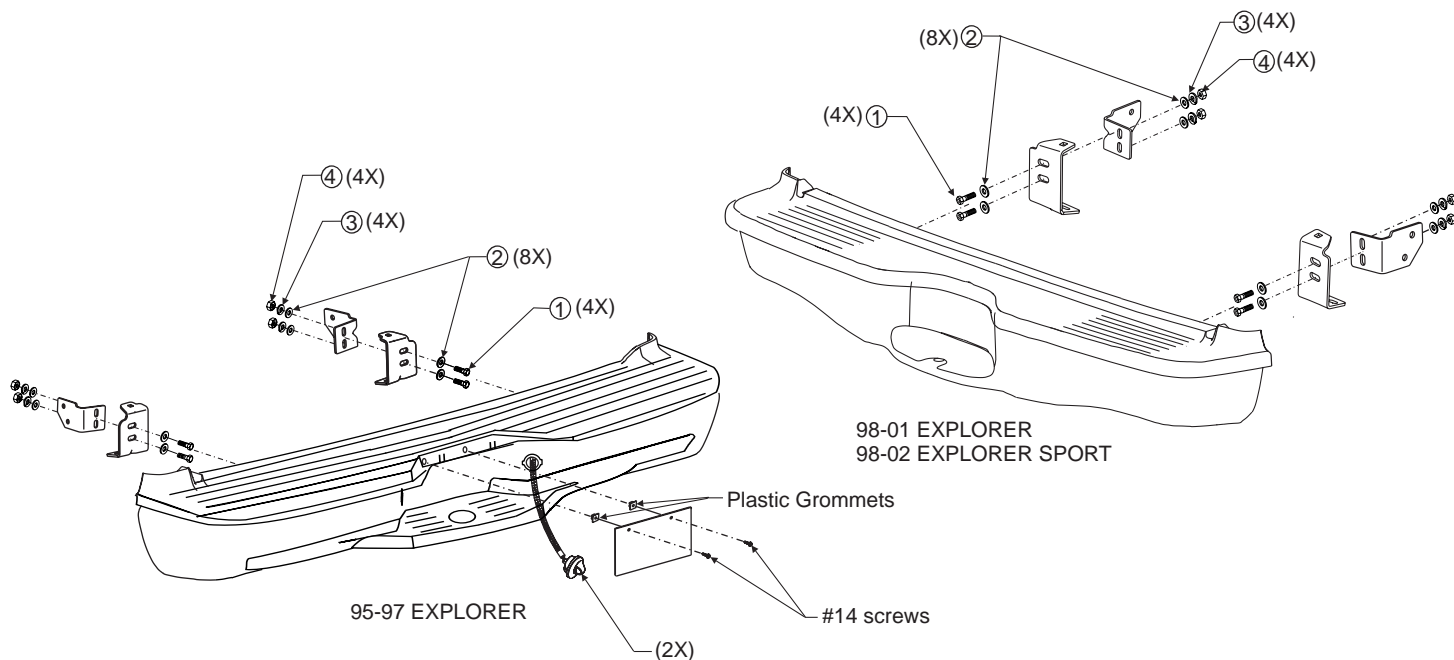


FIGURE 2

- STEP 5. Position bumper to the frame of the vehicle so that the mounting holes on the bumper's hitch align with the mounting holes on the frame of the vehicle. Refer to Figure 3.
- STEP 6. Pass 1/2"-13 X 1.50" bolt, (2) 1/2" flat washers and (1) 1/2" split lock washer through each mounting bracket hole and into the vehicle's frame. Refer to Figure 3.
- STEP 7. Hand tighten (1) 1/2"-13 hex nut onto each bolt. Use a 3/4" combination wrench to prevent each bolt from rotating while tightening each nut.
- STEP 8. Position the bumper squarely to the rear of the vehicle. Allow enough clearance for the tailgate to open. Splice light wires into truck wiring using supplied connectors. Ensure license plate lights are functioning properly. (For 95-97 Explorer only). Once the bumper has been positioned properly, torque each nut to 65-70ft. lbs. (88-92-N m).
- STEP 9. Use #14 self-tapping screws and plastic grommets to install license plate. Refer to Figure 2. (For 95-97 Explorer only).

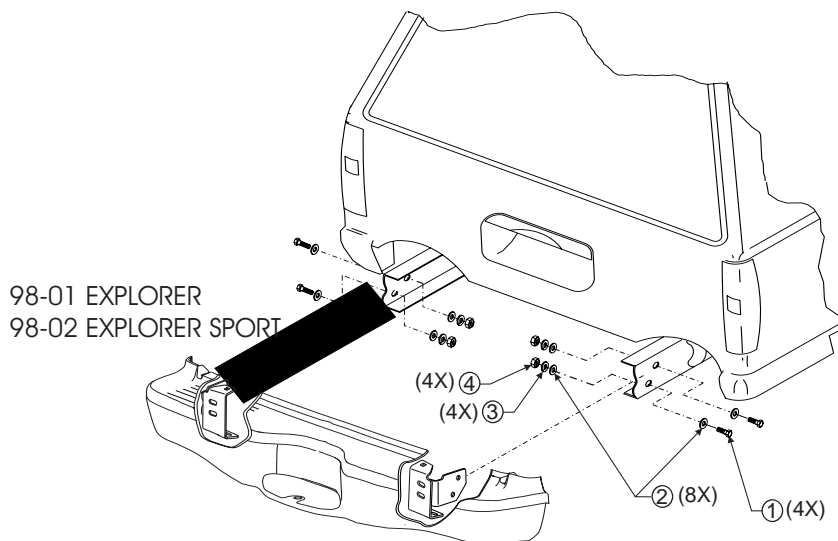


FIGURE 3

