



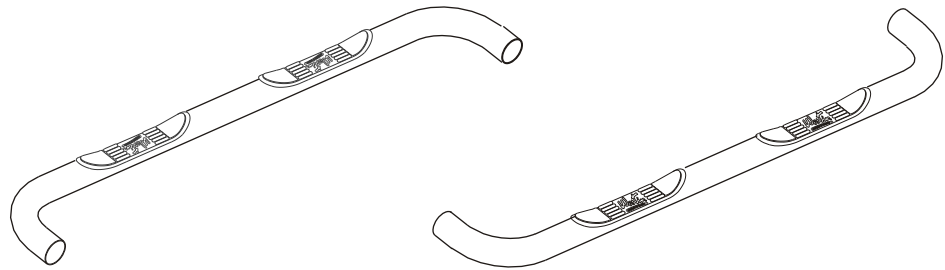
# INSTALLATION INSTRUCTIONS

APPLICATION: 1995-2002 KIA SPORTAGE 4DR

**AUTOMOTIVE PRODUCTS, INC.**

## STEP BAR ASSEMBLIES

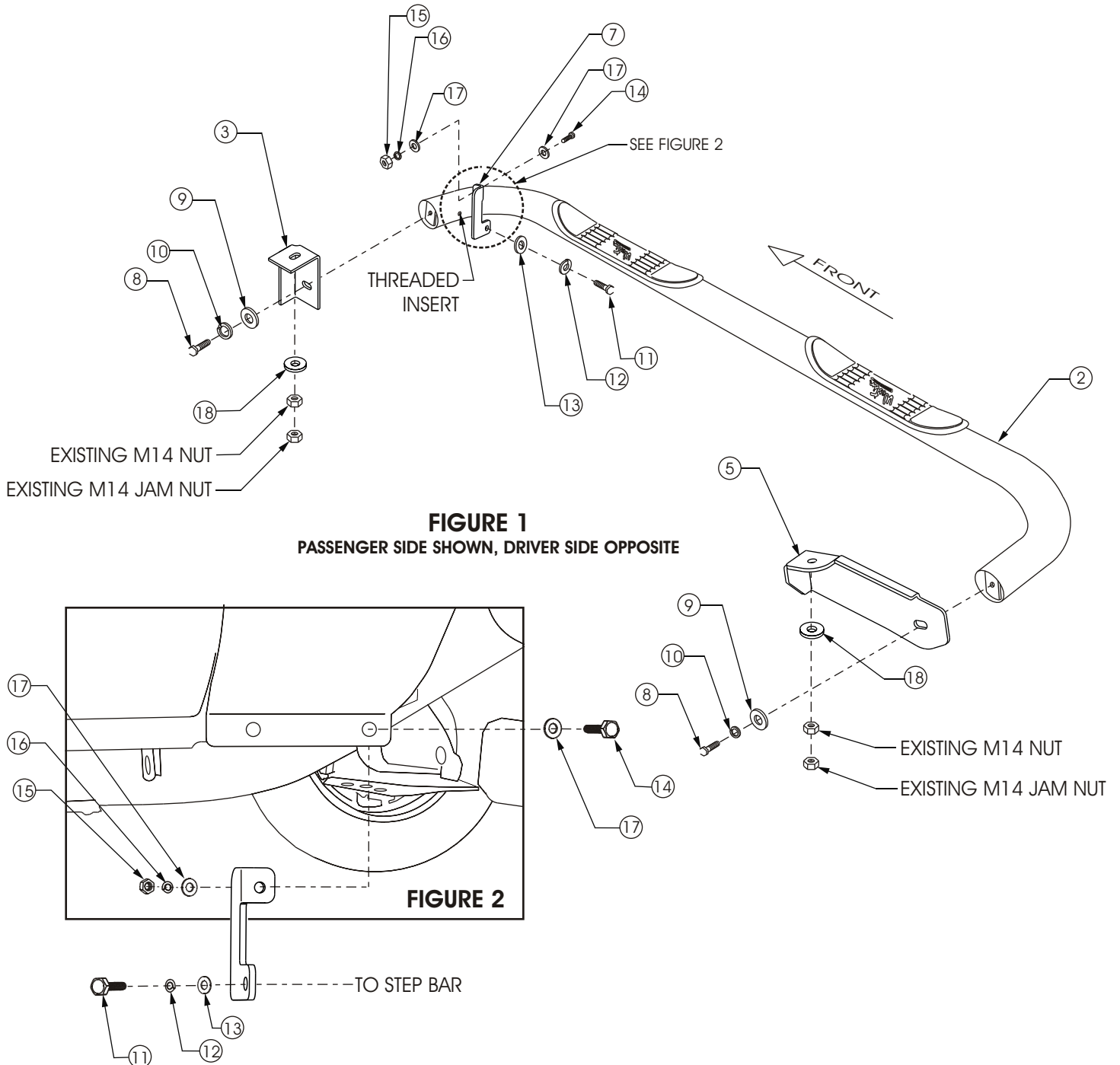
**25-2200**  
**25-2205**



ITEM #	QTY	PARTS KIT CONTENTS DESCRIPTION	TOOLS REQUIRED
1	1	STEP BAR WITH PLASTIC STEP PADS, DRIVER SIDE	9/16" SOCKET
2	1	STEP BAR WITH PLASTIC STEP PADS, PASS. SIDE	3/4" SOCKET
3	2	FRONT MOUNT BRACKET (UNIVERSAL)	10mm SOCKET
4	1	REAR MOUNT BRACKET (DRV SIDE)	10mm WRENCH
5	1	REAR MOUNT BRACKET (PASS SIDE)	TORQUE WRENCH
6	1	REINFORCING STRAP (DRIVER SIDE)	22mm DEEP SOCKET
7	1	REINFORCING STRAP (PASSENGER SIDE)	RATCHET
8	4	1/2"-13 X 1.75", HEX HEAD BOLT	7/16" WRENCH
9	4	1/2" FLAT WASHER	7/16" SOCKET
10	4	1/2" LOCK WASHER	
11	2	1/4"-20 X 1.50", HEX HEAD BOLT	
12	2	1/4" LOCK WASHER	
13	2	1/4" FLAT WASHER	
14	2	M6-1.00 X 20mm, BOLT, HEX HEAD	
15	2	M6-1.00 HEX NUT	
16	2	M6 LOCK WASHER	
17	4	M6 FLAT WASHER	
18	4	M14 FLAT WASHER	

- STEP 1. Remove the contents from the box and check for any damage. Verify all parts against parts list. Read and understand instructions completely before beginning installation.
- STEP 2. Install the front passenger side Mounting Bracket. Remove the existing 14mm Jam Nut and Nut on the front body Mount Stud. Place the Mounting Bracket over the Stud and body Mount Washer. Attach Bracket using M14 Washer, previously removed Nut, and Jam Nut. Tighten Hardware (FINGER TIGHT ONLY). Refer to Figure 2 for Bracket orientation.
- STEP 3. Repeat Step 2 to install the rear passenger side Mounting Bracket. Refer to Figure 2 for Bracket orientation.
- STEP 4. Remove the front 6mm existing bolt from the Driver side pinch rail. Replace the existing bolt with the supplied M6-1.00 x 20mm Bolt. Tighten the supplied M6 Bolt to 8-10 ft-lbs. (11-14 N•m) Refer to (FIGURE 2). **NOTE: MODELS WITH CLADDING, BOLT IS UNDER CLADDING, MUST REMOVE 1 EXTRA BOLT TO LIFT CLADDING AND EXPOSE BOLT.**
- STEP 5. Attach passenger side reinforcing Strap to the vehicle's pinch rail by placing the Strap hole over the threaded portion of the M6 Bolt installed during Step 4. Secure with M6 Flat Washer, M6 Lock Washer, and M6-1.00 Nut. (FINGER TIGHT ONLY).
- STEP 6. Select the passenger side Step Bar. Position the step bar so that its mount points align with the corresponding slots in the Mounting Brackets that were attached to the vehicle during previous steps.

- STEP 7. Bolt each end of the Step Bar to the slots in the Brackets using the 1/2"-13 Bolts, Flat Washers and Lock Washers. Tighten Hardware (FINGER TIGHT ONLY) (See Figure 1).
- STEP 8. Bolt reinforcing Bracket to Step Bar with 1/4"-20 Bolt, Washer and Lock Washer into the 1/4"-20 threaded insert, existing on the Step Bar (See Figure 1).
- STEP 9. Be sure that Step Bar is positioned level on the truck, and torque all Mounting Hardware to the following specs: 1/4"-20 to 9 ft.-lbs. (12 N•m), 1/2"-13 to 60-65 ft.-lbs. (82-88 N•m), 14mm to 75-82 ft.-lbs. (102-112 N•m).
- STEP 10. Repeat Steps 2 through 9 for the driver side Step Bar. The driver side Step Bar and Brackets are opposite to the passenger side (Refer to Figure 1-2).



Finish protection - Westin products have a high quality finish that must be cared for like any other exposed finish on the vehicle. Protect the finish with a non-abrasive automotive wax (pure carnauba, for example) on a regular basis. The use of cleaner wax or any compound which contains an abrasive is detrimental, as the compounds scratch the finish and open it to corrosion.



Westin Automotive Products, Inc.  
5200 N. Irwindale Ave. Suite 220  
Irwindale, Ca. 91706

Thank You for choosing Westin products  
For additional installation assistance please call  
Customer service (800) 345-8476 or (626) 960-6762



# WESTIN

Premium Quality Truck Accessories

## WESTIN WARRANTY

---

### **FIVE YEAR WARRANTY FOR STEP BOARDS, POWDER COATED STEEL & CHROME PLATED STEEL PRODUCTS**

Westin Automotive Products, Inc. guarantees the original purchaser of Westin Signature Series Step Bars, Classic Grille Guards, Push Bars, Brush Guards, Sportsman One-Piece Grille Guards, Tail Light Guards, Step Boards and Trailblazer bumpers a five-year warranty from the date of original purchase against manufacturer defects in materials, workmanship and finish under normal use excluding damage resulting from road hazards such as gravel or other debris, product misuse, improper installation, impairments from accidents, product modifications or product neglect. This five year warranty applies only to new products and is limited to the repair or replacement of Westin products. Warranty does not include electrical components or light bulb replacement, costs of removal, installation, labor, inconvenience or consequential damages. Original purchaser must return defective merchandise, along with the purchase receipt, to the original place of purchase.

### **LIFETIME WARRANTY FOR BLACK POWDERCOAT AND CHROME PLATED STAINLESS STEEL PRODUCTS**

Westin Automotive Products, Inc. guarantees the original purchaser of Platinum Series™ Step Bars, Chrome-plated Stainless Steel Safari Light Bars and Sportsman Modular Grille Guards a lifetime warranty against manufacturer defects in materials, workmanship and finish under normal use excluding damage resulting from road hazards such as gravel or other debris, product misuse, improper installation, impairments from accidents, product modifications or product neglect. This lifetime warranty applies only to new products and is limited to the repair or replacement of Westin products. Warranty does not include costs of removal, installation, labor, inconvenience or consequential damages. Original purchaser must return defective merchandise, along with the purchase receipt, to the original place of purchase.

### **FINISH PROTECTION**

Westin products have a high quality finish that must be cared for like any other exposed finish on the vehicle. Protect the finish with a non-abrasive automotive wax, (e.g. Pure Carnauba) on a regular basis. The use of any soap, polish or wax that contains an abrasive is detrimental, as the compounds scratch the finish and open it to corrosion.

### **DISCLAIMER FOR WESTIN PRODUCTS**

Buyer assumes all risk and liability whatsoever from the installation and use of Westin products. Westin products are sold as decorative accessories and should not be relied upon as protection for the vehicle or occupants in the event of a collision or roll over. Vehicles equipped with a supplemental restraints system (air bags) deployed by impact should not be modified by any aftermarket Grille Guard, Push Bar, Light Bar or Bull Bar without first consulting the vehicle manufacturer. Westin Automotive Products, Inc. assumes no liability for injury, loss, incidental or consequential damages in the event of a collision or roll over.