



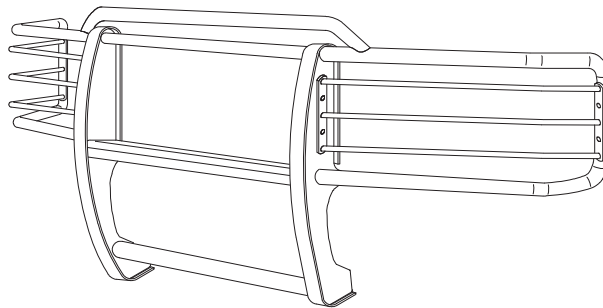
# INSTALLATION INSTRUCTIONS

APPLICATION: 1999-02 GMC SIERRA 1500LD 2/4 WHEEL DRIVE  
2000-UP YUKON/YUKON XL 1/2 TON

AUTOMOTIVE PRODUCTS, INC.

SPORTSMAN  
ASSEMBLY

**40-0335**



## PARTS KIT CONTENTS

ITEM	QTY	DESCRIPTION	ITEM	QTY	DESCRIPTION
1	1	SPORTSMAN ASSEMBLY	9	4	1/2" FLAT WASHER
2	2	LIGHT GUARD ASSEMBLY	10	4	1/2" LOCK WASHER
3	2	TOP BRACKET, PASSENGER AND DRIVER	11	2	1/2-13 HEX NUT
4	2	BOTTOM BRACKET, PASSENGER AND DRIVER	12	4	3/8-16 X 1.25" HEX HEAD BOLT
5	2	SUPPORT BRACE, PASSENGER AND DRIVER	13	8	3/8" FLAT WASHER
6	2	BOLT PLATE	14	4	3/8" LOCK WASHER
7	2	SPACER TUBE	15	4	3/8-16 HEX NUT
8	2	M12-1.75 X 90MM HEX HEAD BOLT			

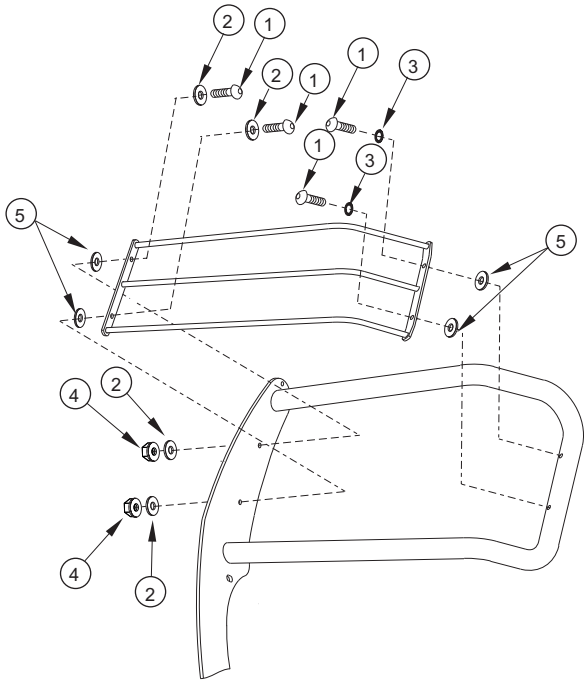
## TOOLS REQUIRED

3/4" SOCKET	9/16" SOCKET	9/16" WRENCH	7/16" WRENCH	5/32" HEX WRENCH
19MM SOCKET	18MM SOCKET	10MM SOCKET	RATCHET	SOCKET EXTENSION
TORQUE WRENCH	PHILLIPS SCREWDRIVER			

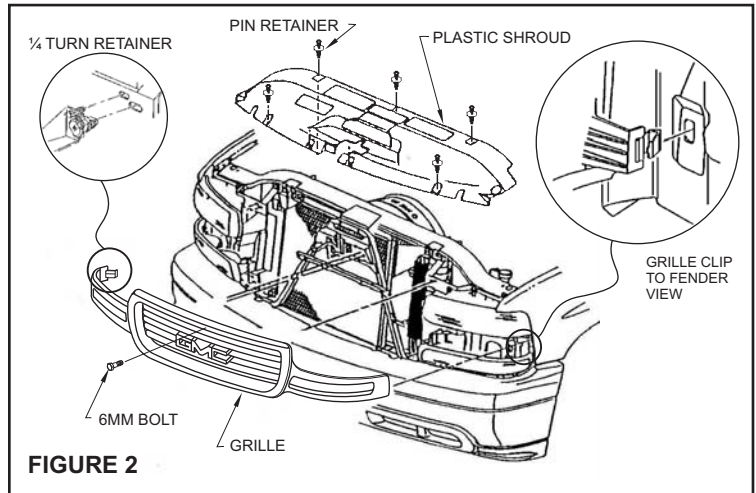
- STEP 1. Remove the contents from box and check for damage. Verify all parts are present. Read instructions completely before beginning.
- STEP 2. Attach light guard assemblies as shown. **SEE FIGURE 1.**
- STEP 3. Remove plastic shroud above grille by removing seven pin retainers. Pull center pin up with small flat screwdriver. **SEE FIGURE 2.**
- STEP 4. Carefully remove grille from vehicle by removing the 6mm bolt from top of grille. Turn the four retainers a 1/4" turn counterclockwise with a Phillips screwdriver. Pull on outer edge of grille by applying firm pressure away from the fender. Repeat for other side. **SEE FIGURE 2.**
- STEP 5. Remove both 12mm factory bumper bolts from top of frame (located behind top side of bumper) and two 6mm bolts in radiator support frame located just above bumper bolts. Attach top brackets as shown. Leave loose. **SEE FIGURE 4. NOTE:** The narrow slotted end of support brace is installed beneath cross bar.
- STEP 6. **4x4 models:** Attach bottom brackets by removing 12mm bolts from bottom side of frame and reinstalling the 12mm bolts as shown. Leave loose. **SEE FIGURE 4.**  
**4x2 models:** Attach bottom brackets using the bolt plate and 1/2-13 hex nut provided. Leave loose. **SEE FIGURE 4.**
- STEP 7. Attach Sportsman to brackets using 3/8" fasteners. Hand tighten. Center and level Sportsman. Torque all bracket fasteners at the frame location only. 1/2" fasteners to 65 FT.LBS; 12mm fasteners to 60 FT.LBS. and 6mm fasteners to 10 FT.LBS.
- STEP 8. Remove Sportsman from brackets and reinstall vehicle grille and plastic shroud in the opposite order of removal.

ITEM	QTY.	DESCRIPTION
1	8	1/4-20 X 1.00" BUTTON HEAD BOLT
2	8	1/4" FLAT WASHER
3	4	1/4" INTERNAL TOOTH LOCK WASHER
4	4	1/4-20 NYLON NUT
5	8	RUBBER WASHER

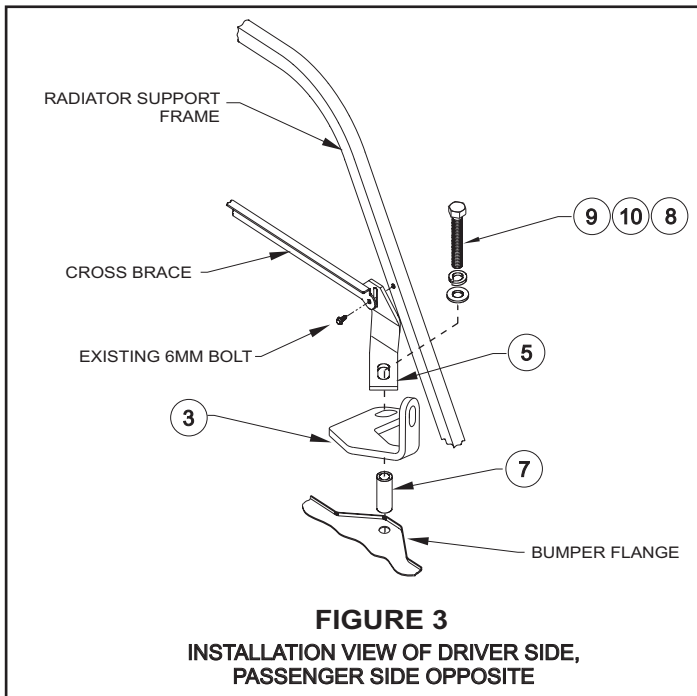
NOTE: ALL FASTENERS MAY NOT BE USED.



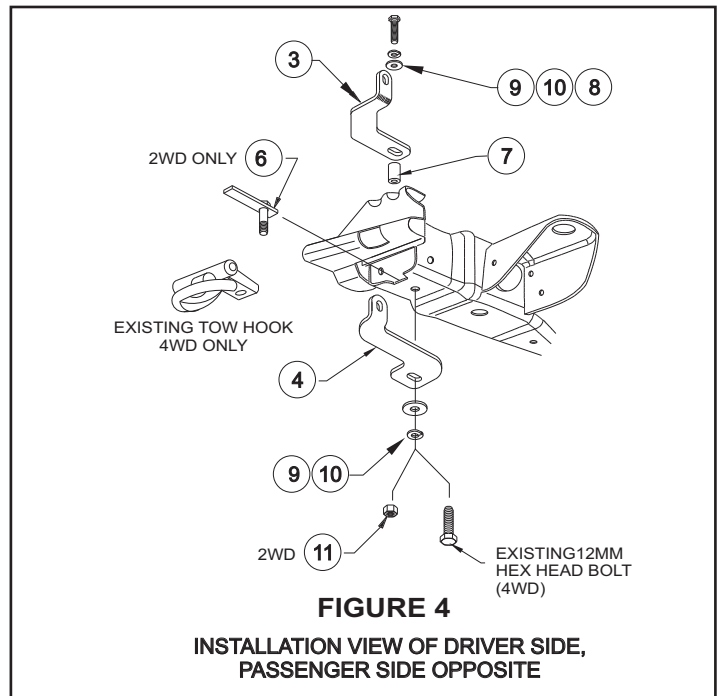
**FIGURE 1**  
LIGHT GUARD INSTALLATION



**FIGURE 2**



**FIGURE 3**  
INSTALLATION VIEW OF DRIVER SIDE,  
PASSENGER SIDE OPPOSITE



**FIGURE 4**  
INSTALLATION VIEW OF DRIVER SIDE,  
PASSENGER SIDE OPPOSITE

Finish protection - Westin products have a high quality finish that must be cared for like any other exposed finish on the vehicle. Protect the finish with a non-abrasive automotive wax (pure carnauba, for example) on a regular basis. The use of cleaner wax or any compound which contains an abrasive is detrimental, as the compounds scratch the finish and open it to corrosion.



Westin Automotive Products, Inc.  
5200 N. Irwindale Ave. Suite 220  
Irwindale, Ca. 91706

Thank You for choosing Westin products  
For additional installation assistance please call  
Customer service (800) 793-7846 or (507) 375-3559