

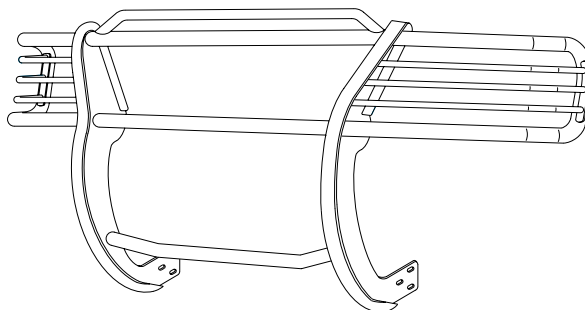


INSTALLATION INSTRUCTIONS

APPLICATION: 2001 NISSAN FRONTIER

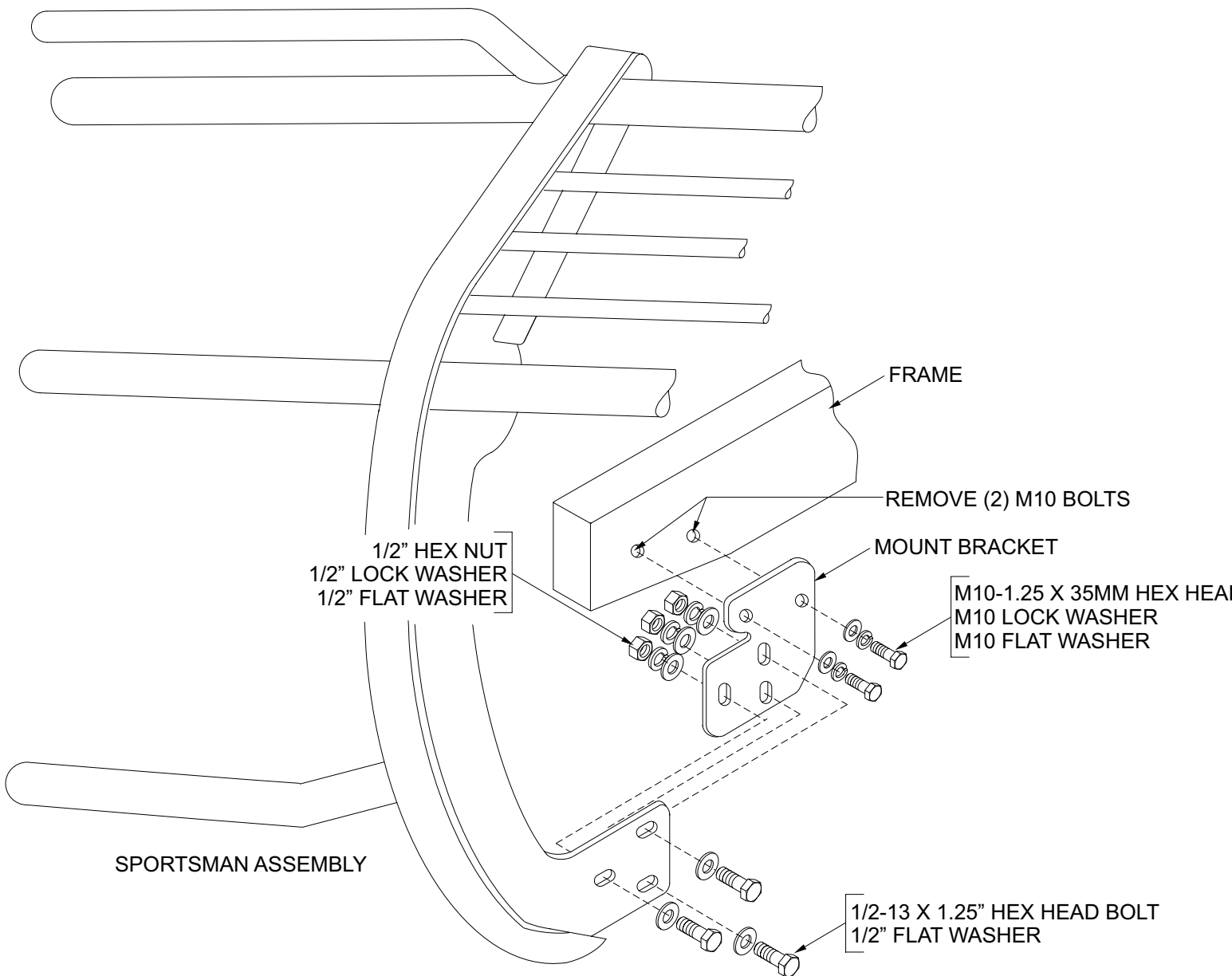
AUTOMOTIVE PRODUCTS, INC.

SPORTSMAN
ASSEMBLY:
40-1005



QTY	PARTS KIT CONTENTS DESCRIPTION	TOOLS REQUIRED
1	SPORTSMAN ASSEMBLY W/ LIGHT GUARDS	3/4" SOCKET
2	MOUNT BRACKET, PASSENGER AND DRIVER	3/4" WRENCH
6	1/2-13 X 1.25" HEX HEAD BOLT	17MM SOCKET
6	1/2-13 HEX NUT	16MM SOCKET
12	1/2" FLAT WASHER	RATCHET
6	1/2" SPLIT LOCK WASHER	TORQUE WRENCH
4	M10-1.25 X 35MM HEX HEAD BOLT	
4	M10 FLAT WASHER	
4	M10 SPLIT LOCK WASHER	
NOTE: FASTENERS ARE CONTAINED IN BOLT KITS 60-1160 AND 60-1217.		

- STEP 1. Remove the contents from the box and check for any damage. Verify all parts against parts list.
- STEP 2. Read and understand instructions completely before beginning installation.
- STEP 3. Remove (4) 10mm hex head bolts from side of both frame rails that attach bumper brackets to frame.
- STEP 4. Position mount brackets against outside of existing bumper brackets where bolts were removed and fasten mount brackets using (2) M10-1.25 x 35MM hex head bolts, (2) M10 flat washers and (2) M10 split lock washers per bracket. Leave loose.
- STEP 5. Place cardboard under vehicle. Lay Sportsman on the cardboard with front side down. Align lower rear upright slots with lower rear bracket slots and fasten together with (1) 1/2-13 x 1.25" hex head bolt, (2) 1/2" flat washers, (1) 1/2" split lock washer and (1) 1/2-13 hex nut per bracket. Leave loose.
- STEP 6. Rotate Sportsman Bar up towards vehicle so that remaining slots align, fasten together using remaining 1/2" hardware.
- STEP 7. Level and adjust unit as desired. Torque 10MM fasteners to 52 FT. LBS. and 1/2" fasteners to 65 FT. LBS.



DRIVER SIDE INSTALLATION SHOWN.

Finish protection - Westin products have a high quality finish that must be cared for like any other exposed finish on the vehicle. Protect the finish with a non-abrasive automotive wax (pure carnauba, for example) on a regular basis. The use of cleaner wax or any compound which contains an abrasive is detrimental, as the compounds scratch the finish and open it to corrosion.



Westin Automotive Products, Inc.
5200 N. Irwindale Ave. Suite 220
Irwindale, Ca. 91706

Thank You for choosing Westin products
For additional installation assistance please call
Customer service (800) 793-7846 or (507) 375-3559