

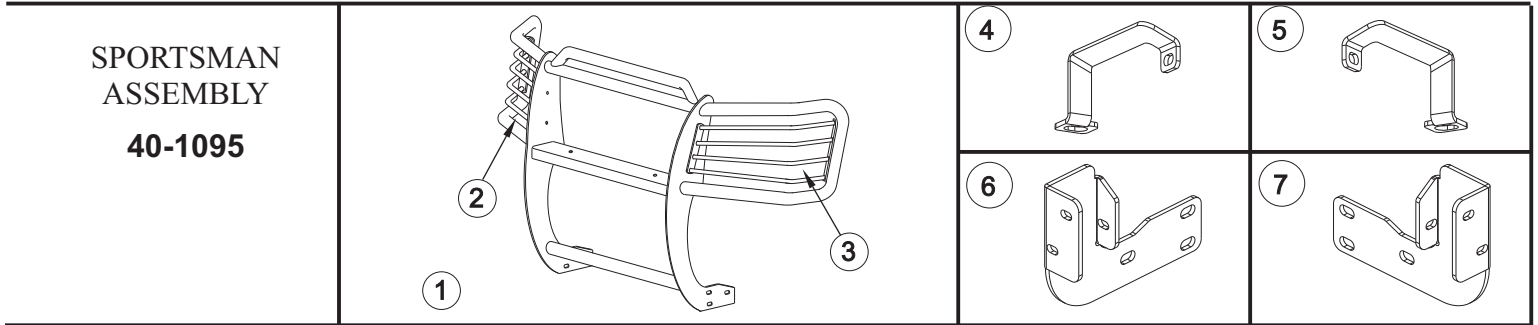


SIGNATURE OF QUALITY

INSTALLATION INSTRUCTIONS

APPLICATION: 2002-07 GMC ENVOY

AUTOMOTIVE PRODUCTS, INC.



PARTS KIT CONTENTS

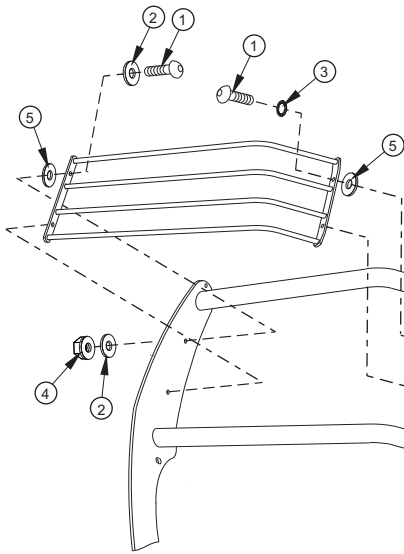
ITEM	QTY	DESCRIPTION	ITEM	QTY	DESCRIPTION
1	1	SPORTSMAN ASSEMBLY	13	2	3/8-16 X 1.00" HEX HEAD BOLT
2,3	2	LIGHT GUARD ASSEMBLY, PASSENGER (2) AND DRIVER (3)	14	4	3/8" FLAT WASHER
4,5	2	TOP BRACKET, PASSENGER (4) AND DRIVER (5)	15	2	3/8" LOCK WASHER
6,7	2	BOTTOM BRACKET, PASSENGER (6) AND DRIVER (7)	16	2	3/8-16 HEX NUT
8	6	1/2-13 X 1.25" HEX HEAD BOLT	17	6	3/8-16 X 1.25" HEX HEAD BOLT, YELLOW ZINC
9	12	1/2" FLAT WASHER	18	12	3/8" FLAT WASHER, YELLOW ZINC
10	6	1/2" LOCK WASHER	19	6	3/8" LOCK WASHER, YELLOW ZINC
11	6	1/2-13 HEX NUT	20	6	3/8-16 HEX NUT, YELLOW ZINC
12	2	M12-1.75 REVERSIBLE HEX NUT (NOT USED)			

TOOLS REQUIRED

3/4" SOCKET 3/4" WRENCH 9/16" SOCKET 9/16" WRENCH 7/16" WRENCH
 5/32" HEX WRENCH 21MM SOCKET RATCHET SOCKET EXTENSION TORQUE WRENCH
 FLAT TIP SCREWDRIVER

- STEP 1. Remove the contents from box and check for damage. Verify all parts are present. Read instructions completely before beginning.
- STEP 2. Attach light guard assemblies as shown. **SEE FIGURE 1.**
- STEP 3. Remove lower air dam from front bumper by removing the two push in fasteners from driver and passenger side of vehicle. Pull air dam forward to remove.
- STEP 4. Remove grille from vehicle by locating the 4 clips along top of grille that hold it in place. Gently pry all clips with flat screwdriver and lightly pull outward on grille. **SEE FIGURE 2.**
- STEP 5. From underneath the front of vehicle, locate the front body mount. Determine passenger side and driver bottom brackets. **SEE FIGURE 3.** Attach brackets to inside body mount channel with 3/8" yellow zinc fasteners. Hand tighten. **NOTE:** If vehicle is equipped with underbody shield package it will be necessary to remove the front shield. If shield is to be reinstalled, both ends will need to be trimmed to fit around mount brackets. Mounting hardware supplied with the Sportsman will still be used.
- STEP 6. Locate and remove two bumper mounting bolts using the 21mm socket and long extension to remove. Attach top brace on bumper bolt and reinstall bumper mounting bolts. Hand tighten. **SEE FIGURE 2.**
- STEP 7. Place cardboard under vehicle. Lay Sportsman on the cardboard with front side down. Align lower rear upright slots with lower rear bracket slots and fasten together using 1/2" fasteners. Hand tighten. Rotate Sportsman up towards vehicle so that remaining slots align, fasten together using remaining 1/2" fasteners.
- STEP 8. Center and level Sportsman with vehicle and tighten 3/8" bottom brackets fasteners. Recommended torque value ins 26 Ft. Lbs.
- STEP 9. Attach top braces to Sportsman using 3/8" black zinc fasteners as shown. Torque only bumper mount bolts to 120 FT. LBS.
- STEP 10. Remove 3/8" fasteners from top braces and two of the 1/2" bolts from each side of bottom brackets to allow Sportsman to rotate forward and reinstall grille.

STEP 11. Rotate Sportsman up and re-attach Sportsman to top braces and tighten all fasteners. Recommended torque values are 43 Ft. Lbs. for 1/2" fasteners, 26 Ft. Lbs. for 3/8" yellow zinc fasteners, and 20 Ft. Lbs. for 3/8" stainless steel black zinc fasteners.



ITEM	QTY.	DESCRIPTION
1	8	1/4-20 X 1.00" BUTTON HEAD BOLT
2	8	1/4" FLAT WASHER
3	4	1/4" INTERNAL TOOTH LOCK WASHER
4	4	1/4-20 NYLON NUT
5	8	RUBBER WASHER

NOTE: ALL FASTENERS MAY NOT BE USED.

FIGURE 1
LIGHT GUARD INSTALLATION

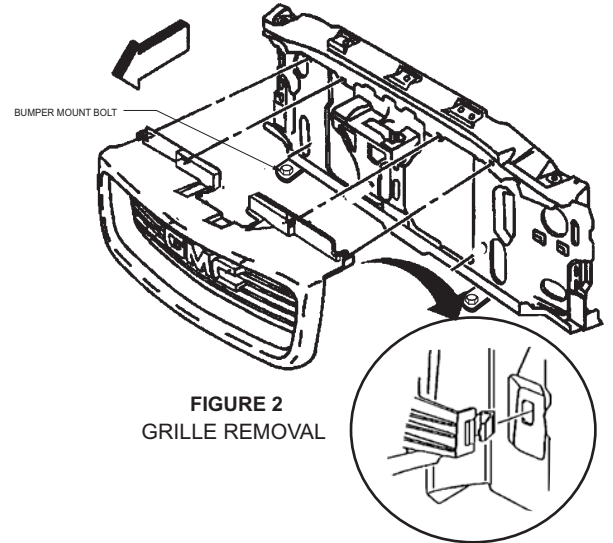


FIGURE 2
GRILLE REMOVAL

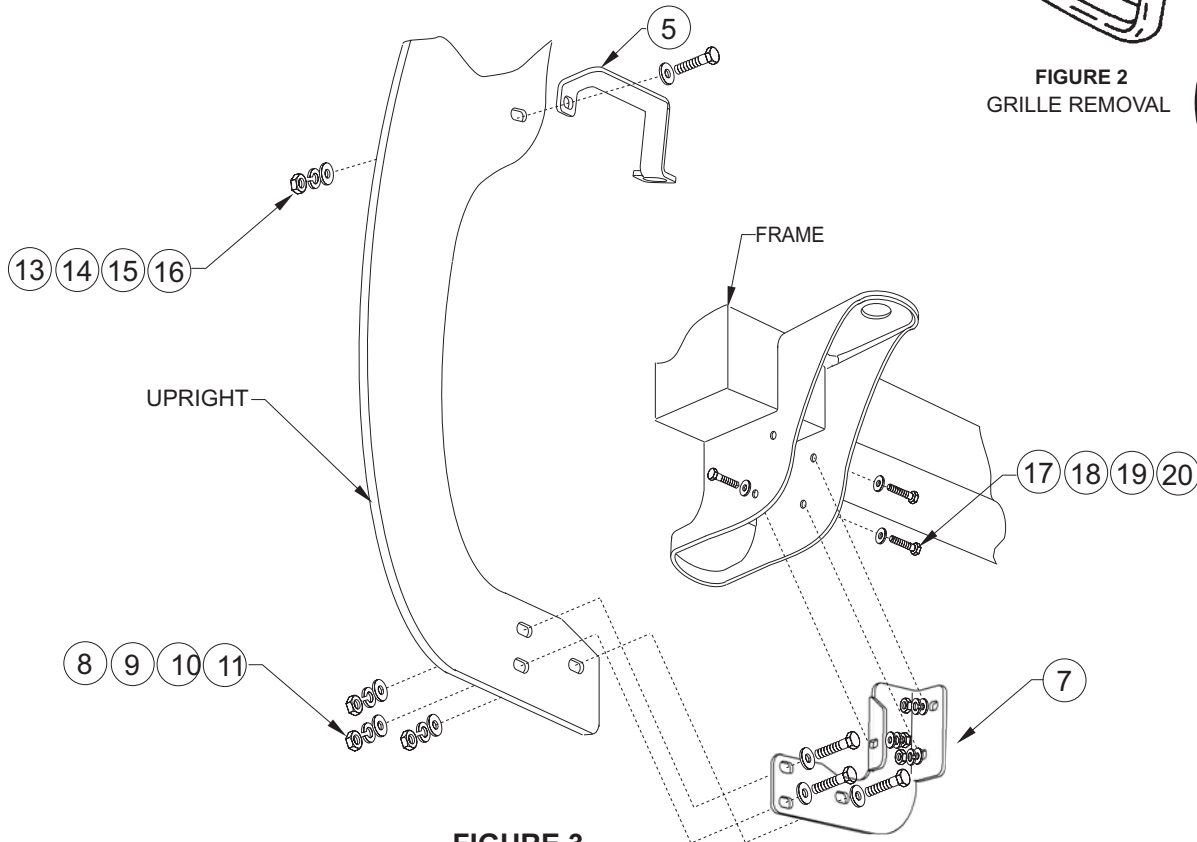


FIGURE 3
INSTALLATION VIEW OF DRIVER SIDE, PASSENGER SIDE OPPOSITE

Finish protection - Westin products have a high quality finish that must be cared for like any other exposed finish on the vehicle. Protect the finish with a non-abrasive automotive wax (pure carnauba, for example) on a regular basis. The use of cleaner wax or any compound which contains an abrasive is detrimental, as the compounds scratch the finish and open it to corrosion.