

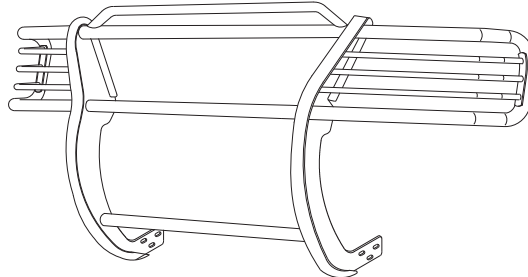


INSTALLATION INSTRUCTIONS

APPLICATION: 2003-UP TOYOTA 4-RUNNER

AUTOMOTIVE PRODUCTS, INC.

SPORTSMAN
ASSEMBLY
40-1285



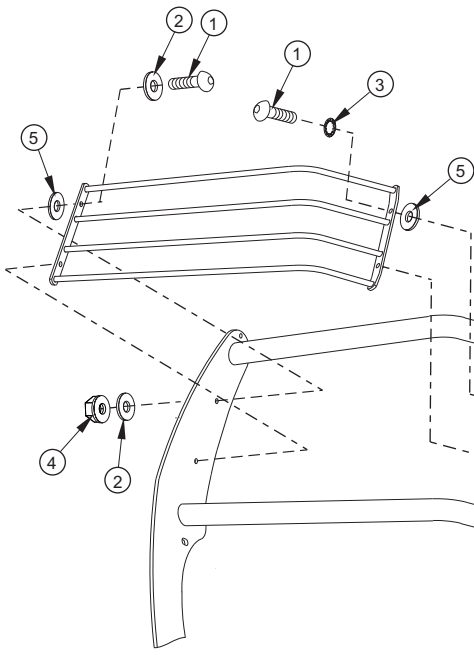
PARTS KIT CONTENTS

ITEM	QTY	DESCRIPTION	ITEM	QTY	DESCRIPTION
1	1	SPORTSMAN ASSEMBLY	11	8	3/8-16 X 1.25" BUTTON HEAD BOLT
2	2	LIGHT GUARD ASSEMBLY	12	8	3/8-16 X 1.25" HEX HEAD BOLT
3	2	TOP BRACKET, PASSENGER AND DRIVER	13	16	3/8" FLAT WASHER
4	2	BOTTOM BRACKET, PASSENGER AND DRIVER	14	8	3/8" LOCK WASHER
5	2	BOTTOM SUPPORT, PASSENGER AND DRIVER	15	8	3/8-16 HEX NUT
6	2	M12-1.25 X 30MM HEX HEAD BOLT	16	2	3/8" X 2.00" FENDER WASHER
7	6	1/2-13 X 1.25" HEX HEAD BOLT	17	4	PLASTIC WASHER
8	14	1/2" FLAT WASHER			
9	8	1/2" LOCK WASHER			
10	6	1/2-13 HEX NUT			

TOOLS REQUIRED

3/4" SOCKET	3/4" WRENCH	9/16" SOCKET	9/16" WRENCH	7/16" WRENCH
5/32" HEX WRENCH	14MM SOCKET	RATCHET	SOCKET EXTENSION	TORQUE WRENCH
UTILITY KNIFE	FLAT TIP SCREWDRIVER			

- STEP 1. Remove the contents from box and check for damage. Verify all parts are present. Read instructions completely before beginning.
- STEP 2. Attach light guard assemblies as shown. **SEE FIGURE 1.**
- STEP 3. Remove three of the four nuts that hold the bumper support frame to the vehicle frame. **NOTE:** Leave the outer top most nut attached or vehicle damage may occur. **SEE FIGURES 2 AND 3.**
- STEP 4. Determine passenger and driver side bottom brackets. Attach both bottom brackets with existing hardware previously removed. Leave loose. **SEE FIGURE 3.**
- STEP 5. Attach bottom support brackets to vehicle using metric bolts and 1/2" fasteners and to previously installed bottom bracket 3/8" fasteners as shown. Leave loose. **SEE FIGURE 3.**
- STEP 6. Open hood and install top brackets using 3/8" fasteners as shown.
NOTE: Place 3/8" fender washer between bracket and vehicle. Leave loose. Leave hood open. **SEE FIGURE 2.**
- STEP 7. With Sportsman front side down in front of vehicle, fasten rear slot of Sportsman to the rear slot of mount bracket on bottom of frame. Leave loose. Rotate Sportsman up to vehicle and secure to bracket using remaining 1/2" and 3/8" fasteners. Leave loose. **SEE FIGURE 2.**
- STEP 8. Center and level Sportsman. Carefully make sure vehicle hood will clear unit and top braces when opening and closing. Adjust unit if needed. Torque 1/2" fasteners and M12 bolts to 65 FT. LBS and 3/8" fasteners and M10 nuts to 35 FT. LBS.



ITEM	QTY.	DESCRIPTION
1	8	1/4-20 X 1.00" BUTTON HEAD BOLT
2	8	1/4" FLAT WASHER
3	4	1/4" INTERNAL TOOTH LOCK WASHER
4	4	1/4-20 NYLON NUT
5	8	RUBBER WASHER

NOTE: ALL FASTENERS MAY NOT BE USED.

FIGURE 1
LIGHT GUARD INSTALLATION

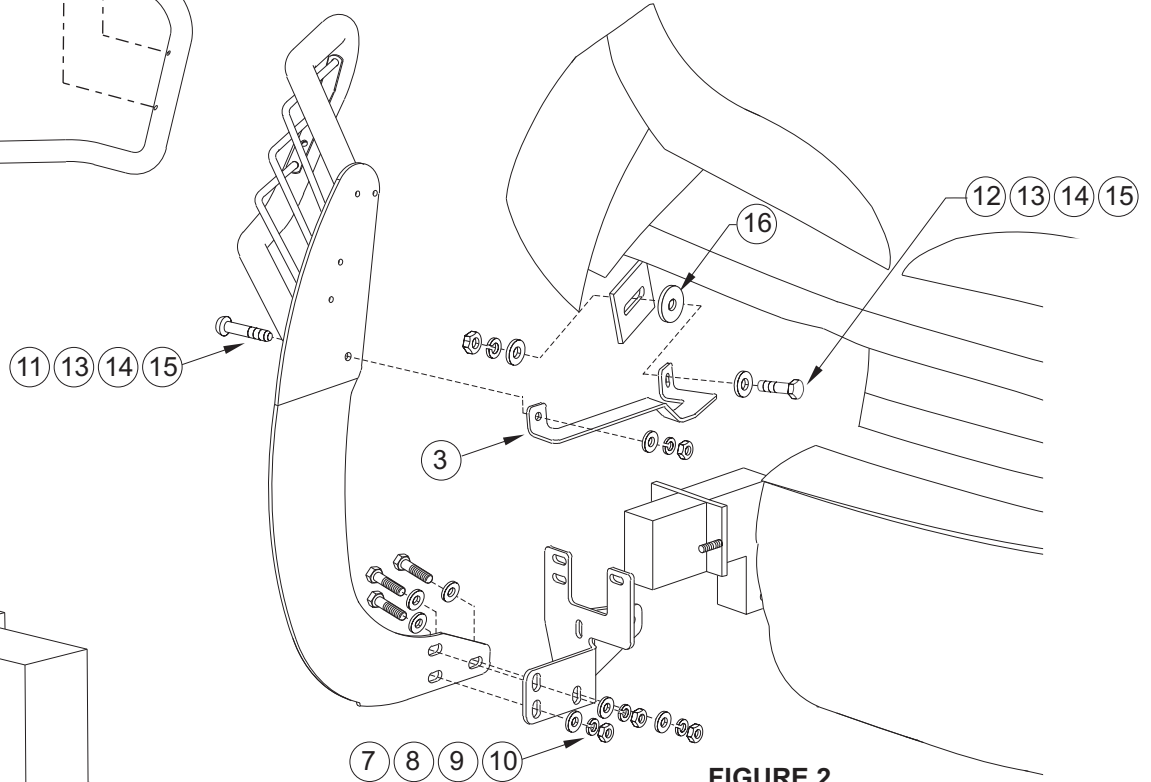


FIGURE 2

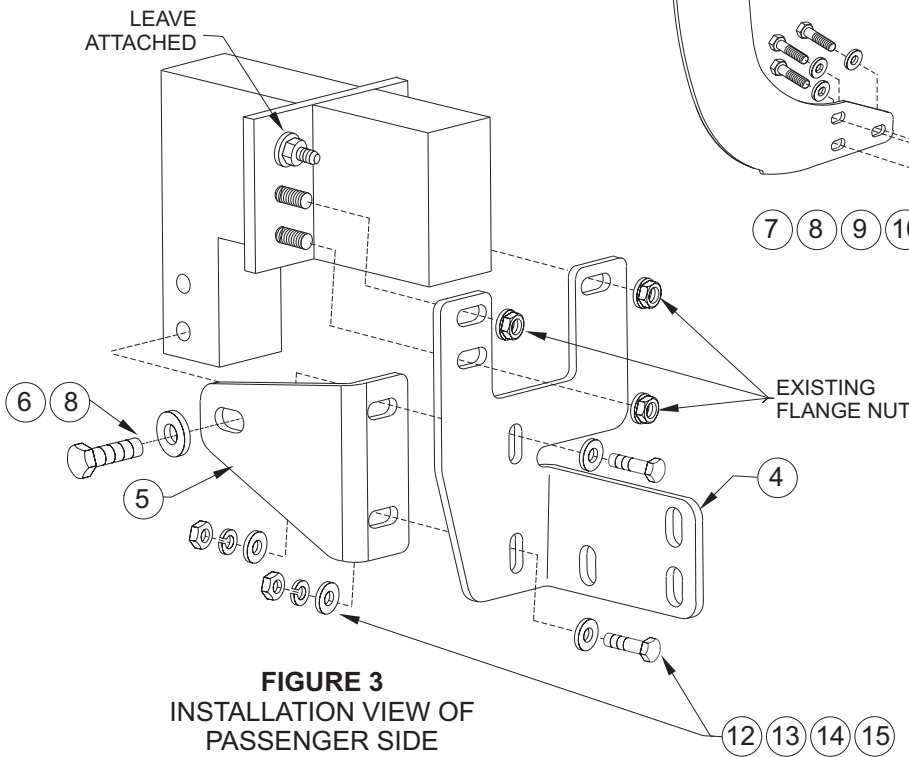


FIGURE 3
INSTALLATION VIEW OF
PASSENGER SIDE

Finish protection - Westin products have a high quality finish that must be cared for like any other exposed finish on the vehicle. Protect the finish with a non-abrasive automotive wax (pure carnauba, for example) on a regular basis. The use of cleaner wax or any compound which contains an abrasive is detrimental, as the compounds scratch the finish and open it to corrosion.



Westin Automotive Products, Inc.
5200 N. Irwindale Ave. Suite 220
Irwindale, Ca. 91706

Thank You for choosing Westin products
For additional installation assistance please call
Customer service (800) 793-7846 or (507) 375-3559