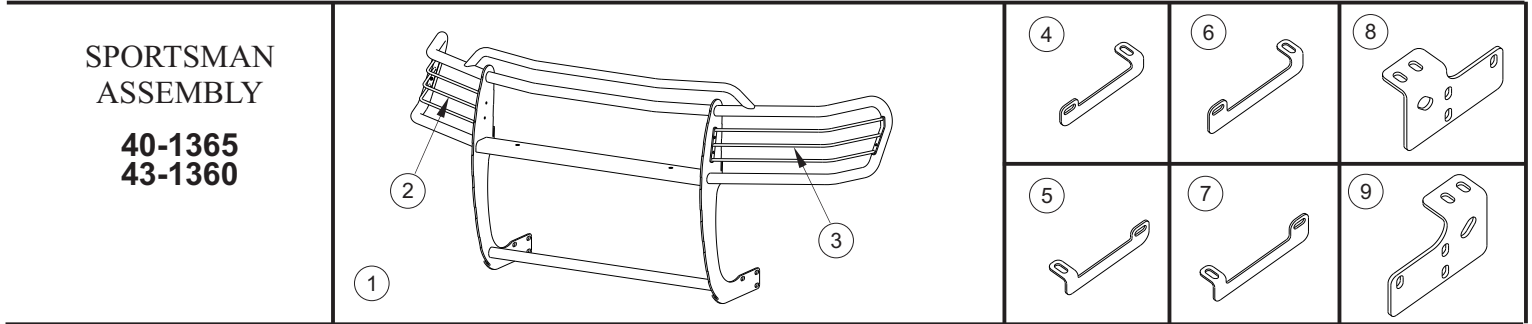




# INSTALLATION INSTRUCTIONS

APPLICATION: 1999-06 TOYOTA TUNDRA

AUTOMOTIVE PRODUCTS, INC.



## PARTS KIT CONTENTS

| ITEM | QTY | DESCRIPTION   | ITEM | QTY | DESCRIPTION                                    |
|------|-----|---|------|-----|--|
| 1    | 1   | SPORTSMAN ASSEMBLY  | 14   | 2   | 1/2" NYLON WASHER                              |
| 2,3  | 2   | LIGHT GUARD ASSEMBLY, PASSENGER (2) AND DRIVER (3)              | 15   | 2   | 3/8-16 X 1.25" BUTTON HEAD BOLT                |
| 4,5  | 2   | SUPPORT BRACE, PASSENGER (4) AND DRIVER (5)<br>1999-2002 MODELS | 16   | 4   | 3/8" FLAT WASHER                               |
| 6,7  | 2   | SUPPORT BRACE, PASSENGER (6) AND DRIVER (7)<br>2003-2006 MODELS | 17   | 2   | 3/8" LOCK NUT                                  |
| 8,9  | 2   | BOTTOM BRACKET, PASSENGER (8) AND DRIVER (9)                    | 18   | 2   | 3/8-16 X .50" BUTTON HEAD BOLT                 |
| 10   | 6   | 1/2-13 X 1.25" HEX HEAD BOLT                                    | 19   | 2   | 3/8" FLANGED LOCK NUT                          |
| 11   | 12  | 1/2" FLAT WASHER  | 20   | 2   | 1/4" FLAT WASHER                               |
| 12   | 6   | 1/2" LOCK WASHER  | 21   | 2   | 15" REFLECTIVE TAPE<br>(FOR CHROME ASSEMBLIES) |
| 13   | 6   | 1/2-13 HEX NUT  |      |     |  |

## TOOLS REQUIRED

|             |              |               |               |                      |
|-------------|--------------|---------------|---------------|----------------------|
| 3/4" SOCKET | 9/16" SOCKET | 17MM SOCKET   | 14MM SOCKET   | 10MM SOCKET          |
| 3/4" WRENCH | 9/16" WRENCH | 7/16" WRENCH  | 12MM WRENCH   | 5/32" HEX WRENCH     |
| 14MM WRENCH | RATCHET      | TORQUE WRENCH | UTILITY KNIFE | FLAT TIP SCREWDRIVER |

- STEP 1.** Remove the contents from box and check for damage. Verify all parts are present. Read instructions completely before beginning.
- STEP 2.** Attach light guard assemblies as shown. SEE FIGURE 1.
- STEP 3.** Determine passenger and driver brackets.
- STEP 4.** From underside of vehicle, remove tie down loop and "J" hook bolts. Discard tie down loops and move "J" hook and factory bolts from passenger side to driver side and visa versa. Install bottom brackets using existing bolts. Hand tighten. SEE FIGURE 2.
- STEP 5.** Determine passenger and driver braces.  
NOTE: 1999-02 models use shorter braces and 2003-UP models use longer braces.
- STEP 6.** Open vehicle hood. 1999-02 models: Fasten braces to front hole on front end panel as shown. SEE FIGURE 3 AND 4. Leave loose. 2003-UP models: Remove 10mm nut from stud on front end panel and fasten brace as shown. SEE FIGURE 6. Leave loose.
- STEP 7.** Place cardboard under vehicle. Lay Sportsman on the cardboard with front side down. Align lower rear upright slots with lower rear bracket slots and fasten together using 1/2" fasteners. Hand tighten. Rotate

Sportsman up towards vehicle so that remaining slots align, fasten together using remaining 1/2" fasteners. SEE FIGURE 5. CAUTION: Watch for clearance between vehicle and Sportsman.

STEP 8. Attach top support braces to uprights using 3/8" black zinc fasteners. Hand tighten. SEE FIGURES 3,4 AND 6.

STEP 9. Center and level Sportsman with vehicle and tighten all fasteners. Torque tow hook fasteners to 75 FT.LBS; 1/2" fasteners to 43 FT.LBS; 3/8" fasteners to 26 FT.LBS. and 10mm nuts to 11 FT.LBS.

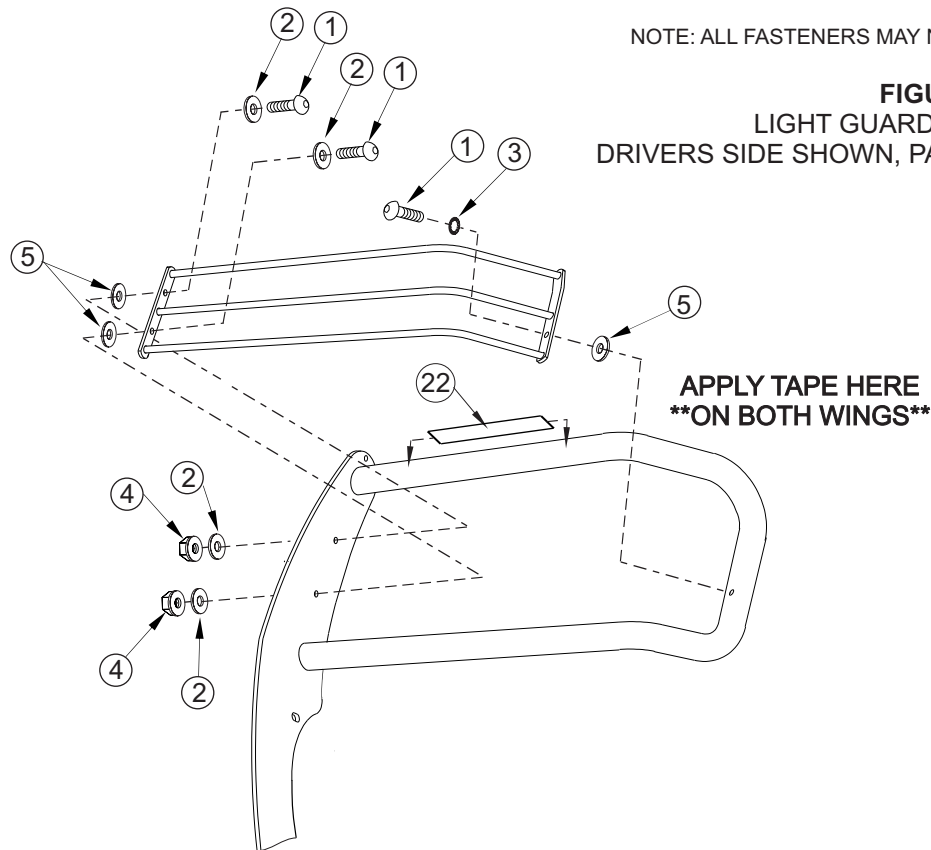
NOTE: Slowly close vehicle hood! Be sure there is proper clearance between the Sportsman and hood. If not, readjust Sportsman.

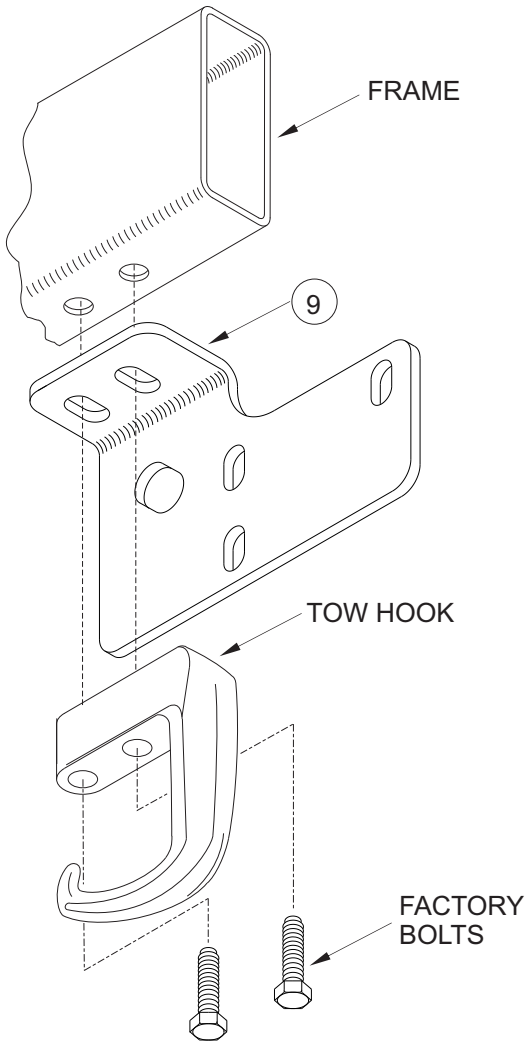
STEP 10. For chrome assemblies. If light glare is being experienced off the wings of the grille guard, anti reflective

| ITEM | QTY. | DESCRIPTION                     |
|------|------|---------------------------------|
| 1    | 8    | 1/4-20 X 1.00" BUTTON HEAD BOLT |
| 2    | 8    | 1/4" FLAT WASHER                |
| 3    | 4    | 1/4" INTERNAL TOOTH LOCK WASHER |
| 4    | 4    | 1/4-20 NYLON NUT                |
| 5    | 8    | RUBBER WASHER                   |

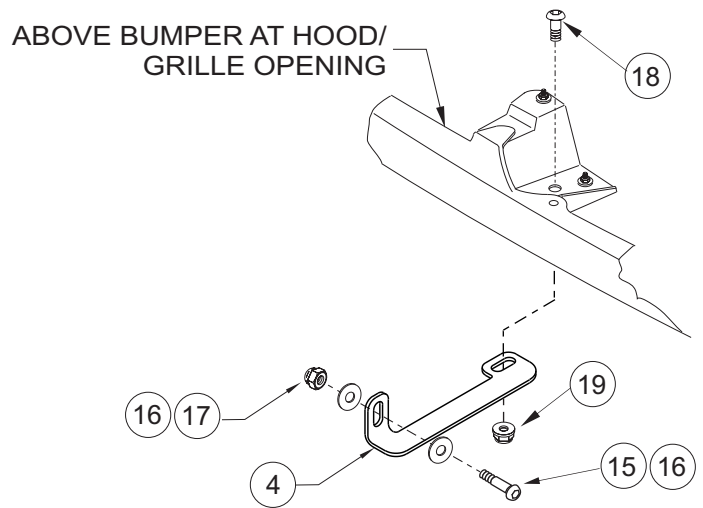
NOTE: ALL FASTENERS MAY NOT BE USED.

**FIGURE 1**  
LIGHT GUARD INSTALLATION  
DRIVERS SIDE SHOWN, PASSENGER SIDE OPPOSITE

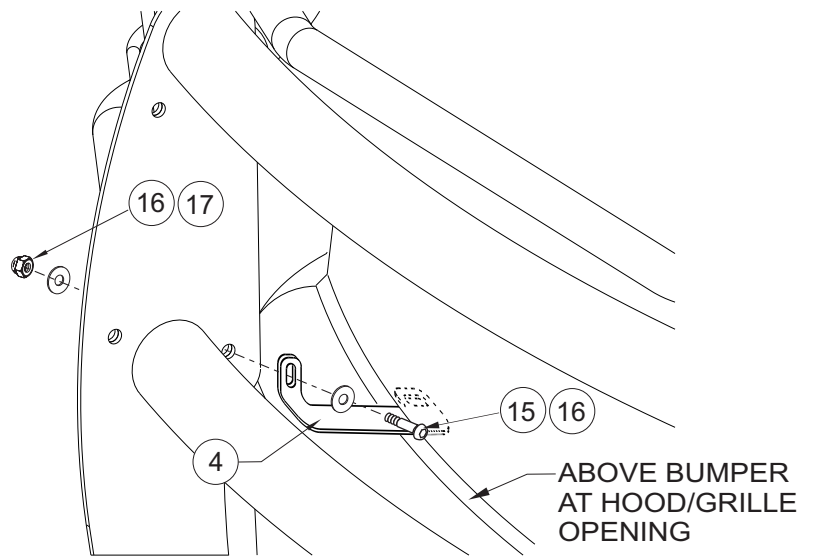




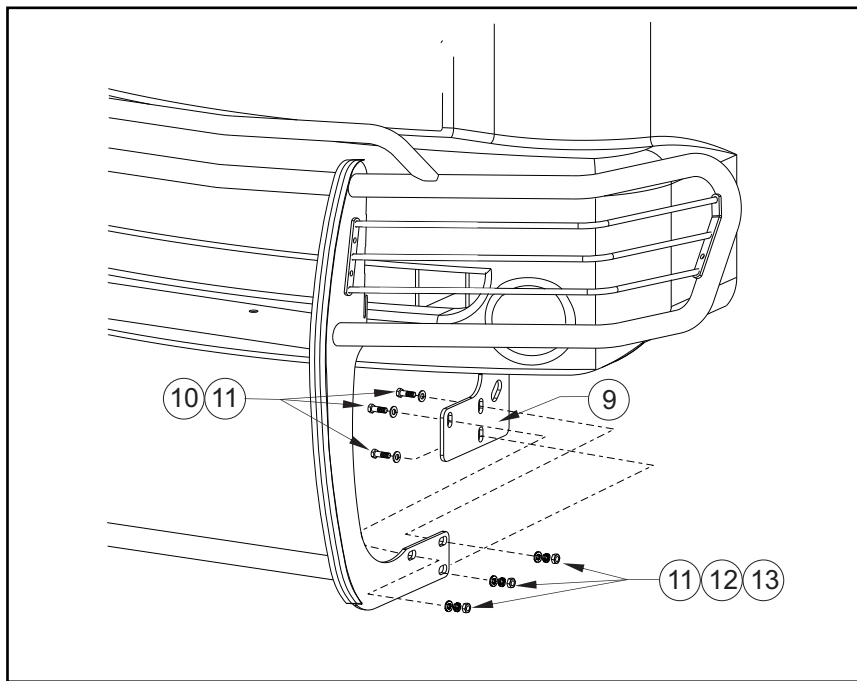
**FIGURE 2**  
INSTALLATION VIEW OF DRIVER SIDE,  
PASSENGER SIDE OPPOSITE



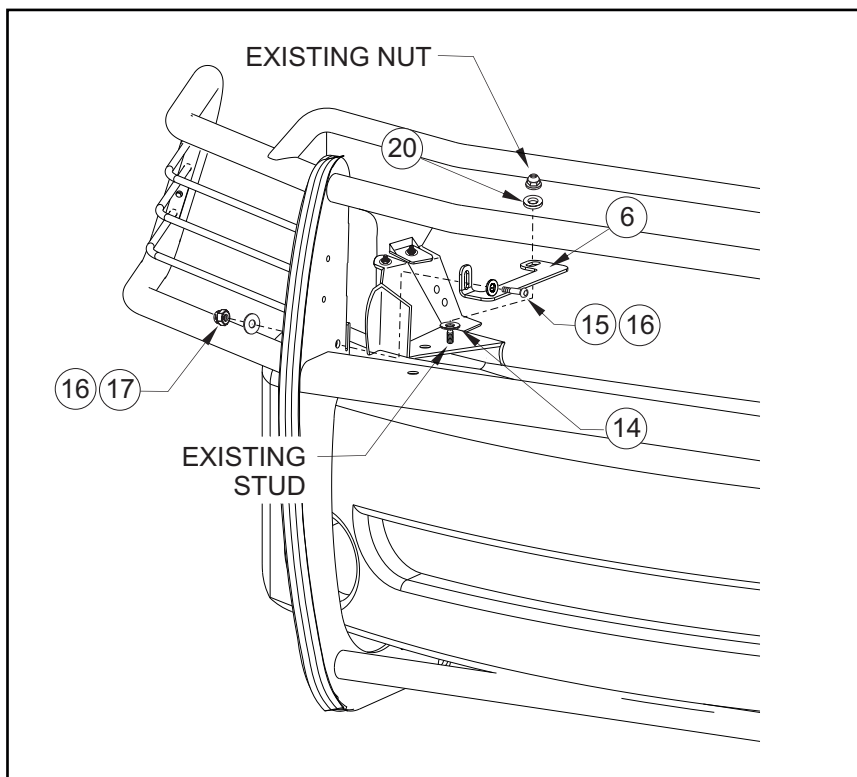
**FIGURE 3**  
PASSENGER SIDE SHOWN,  
DRIVER SIDE OPPOSITE  
**1999-02 MODELS**



**FIGURE 4**  
PASSENGER SIDE SHOWN,  
DRIVER SIDE OPPOSITE  
**1999-02 MODELS**



**FIGURE 5**  
 DRIVER SIDE SHOWN,  
 PASSENGER SIDE OPPOSITE



**FIGURE 6**  
 PASSENGER SIDE SHOWN,  
 DRIVER SIDE OPPOSITE  
2003-UP MODELS

Finish protection - Westin products have a high quality finish that must be cared for like any other exposed finish on the vehicle. Protect the finish with a non-abrasive automotive wax (pure carnauba, for example) on a regular basis. The use of cleaner wax or any compound which contains an abrasive is detrimental, as the compounds scratch the finish and open it to