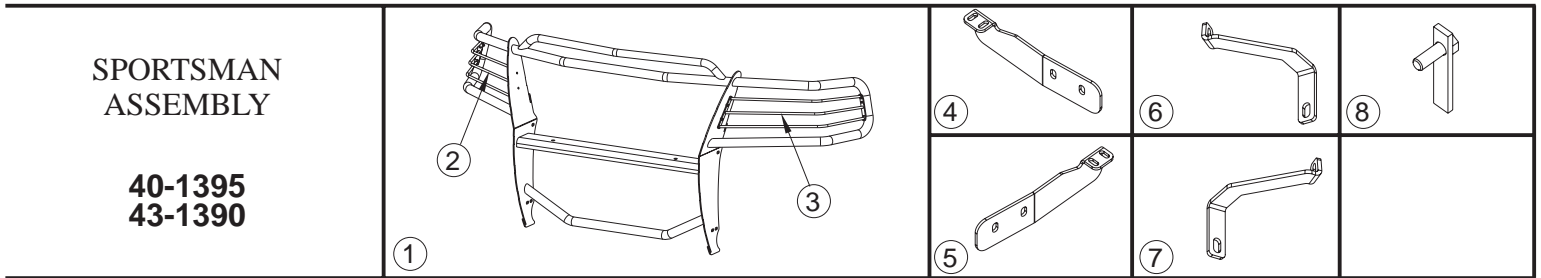




# INSTALLATION INSTRUCTIONS

APPLICATION: 2004-05 FORD F-150 2/4 WHEEL DRIVE  
EXCLUDES HERITAGE EDITION

AUTOMOTIVE PRODUCTS, INC.



## PARTS KIT CONTENTS

ITEM	QTY	DESCRIPTION	ITEM	QTY	DESCRIPTION
1	1	SPORTSMAN ASSEMBLY	12	6	3/8-16 X 1.25" HEX HEAD BOLT
2,3	2	LIGHT GUARD ASSEMBLY, PASSENGER(2) AND DRIVER(3)	13	12	3/8" FLAT WASHER
4,5	2	BRACKET, PASSENGER(4) AND DRIVER(5)	14	6	3/8" LOCK WASHER
6,7	2	SUPPORT BRACE, PASSENGER(6) AND DRIVER(7)	15	6	3/8-16 HEX NUT
8	4	BOLT PLATE (FOR VEHICLES WITHOUT TOW HOOKS)	16	2	M10-1.50 X 30MM HEX HEAD BOLT
9	4	1/2" FLAT WASHER (FOR VEHICLES WITHOUT TOW HOOKS)	17	2	10MM FLAT WASHER
10	4	1/2" LOCK WASHER (FOR VEHICLES WITHOUT TOW HOOKS)	18	2	10MM LOCK WASHER
11	4	1/2-13 HEX NUT (FOR VEHICLES WITHOUT TOW HOOKS)	19	2	ANTI-REFLECTIVE TAPE (FOR CHROME ASSEMBLIES ONLY.)

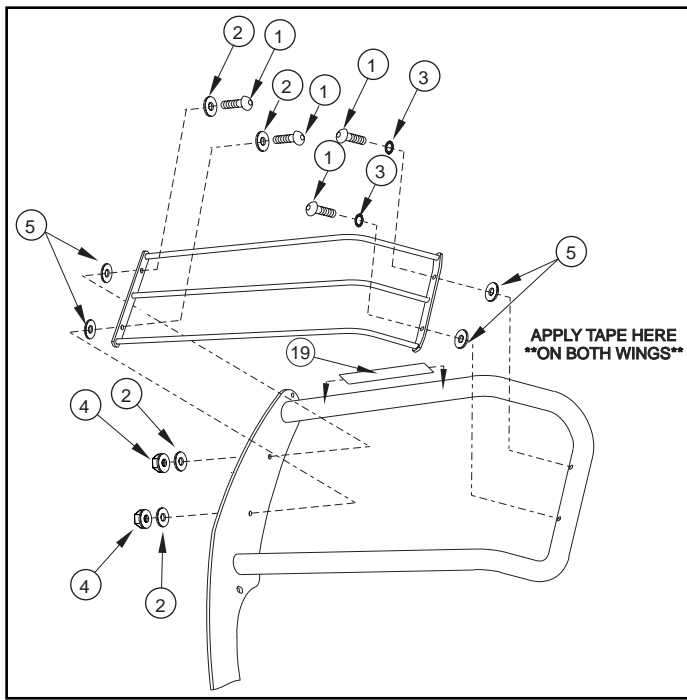
## TOOLS REQUIRED

3/4" SOCKET	9/16" SOCKET	9/16" WRENCH	7/16" WRENCH	5/32" HEX WRENCH
17MM SOCKET	15MM SOCKET	13MM SOCKET	RATCHET	SOCKET EXTENSION
TORQUE WRENCH	UTILITY KNIFE			

- STEP 1. Remove the contents from box and check for damage. Verify all parts are present. Read instructions completely before beginning.
- STEP 2. Attach light guard assemblies as shown. **SEE FIGURE 1.**  
**VEHICLES WITH TOW HOOKS**
- STEP 3. Remove tow hooks by removing front bolt and loosening rear bolt. Slide tow hooks off. Remove rear bolt and make sure nut plate in frame stays aligned with holes.
- STEP 4. Position bottom bracket up to bottom of frame and replace rear tow hook bolt. Slide tow hooks onto rear bolt and reinstall front bolt. Leave loose. **SEE FIGURE 2.** Go to step 6.  
**VEHICLES WITHOUT TOW HOOKS**
- STEP 5. Insert two bolt plates through the end of the frame and into bottom frame holes. **NOTE:** It may be necessary to remove the lower plastic portion of the bumper to gain access to ends of the frame rails. The indented pockets in the lower bumper will need to be cut out with a utility knife to allow bottom brackets to pass through. **SEE FIGURE 4.**
- STEP 6. With hood open, locate the top bumper bracket bolt. Remove factory bolt and attach top bracket using 10mm yellow zinc fasteners supplied in the bolt kit. Leave loose. **NOTE:** Close hood carefully to insure that there is proper clearance between bottom of grille and top brackets. If not, the bumper may need to be lowered by loosening all bumper bolts and adjusting as needed. **SEE FIGURE 3.**
- STEP 7. Attach Sportsman uprights to mount brackets using 3/8" stainless steel fasteners. Center and adjust Sportsman as desired and tighten all fasteners. Slowly lower hood to re-check for clearance of grille guard and top mount brackets. Tighten all fasteners. Recommended torque values are 75 Ft. Lbs. for tow hook bolts, 64 Ft. Lbs. for 1/2" yellow zinc fasteners, 45 Ft. Lbs. for 10mm yellow zinc fasteners and 20 Ft. Lbs. for 3/8" stainless steel fasteners.
- STEP 8. For chrome assemblies. If light glare is being experienced off the wings of the Sportsman, anti-reflective tape has been supplied to reduce glare. With headlights on, note where the reflection is concentrated on the wing. Clean the wing well with a non-abrasive cleaner (rubbing alcohol works the best.) Trim the anti-reflective tape to the appropriate size where the glare was located and apply tape. **SEE FIGURE 1.**

WO:

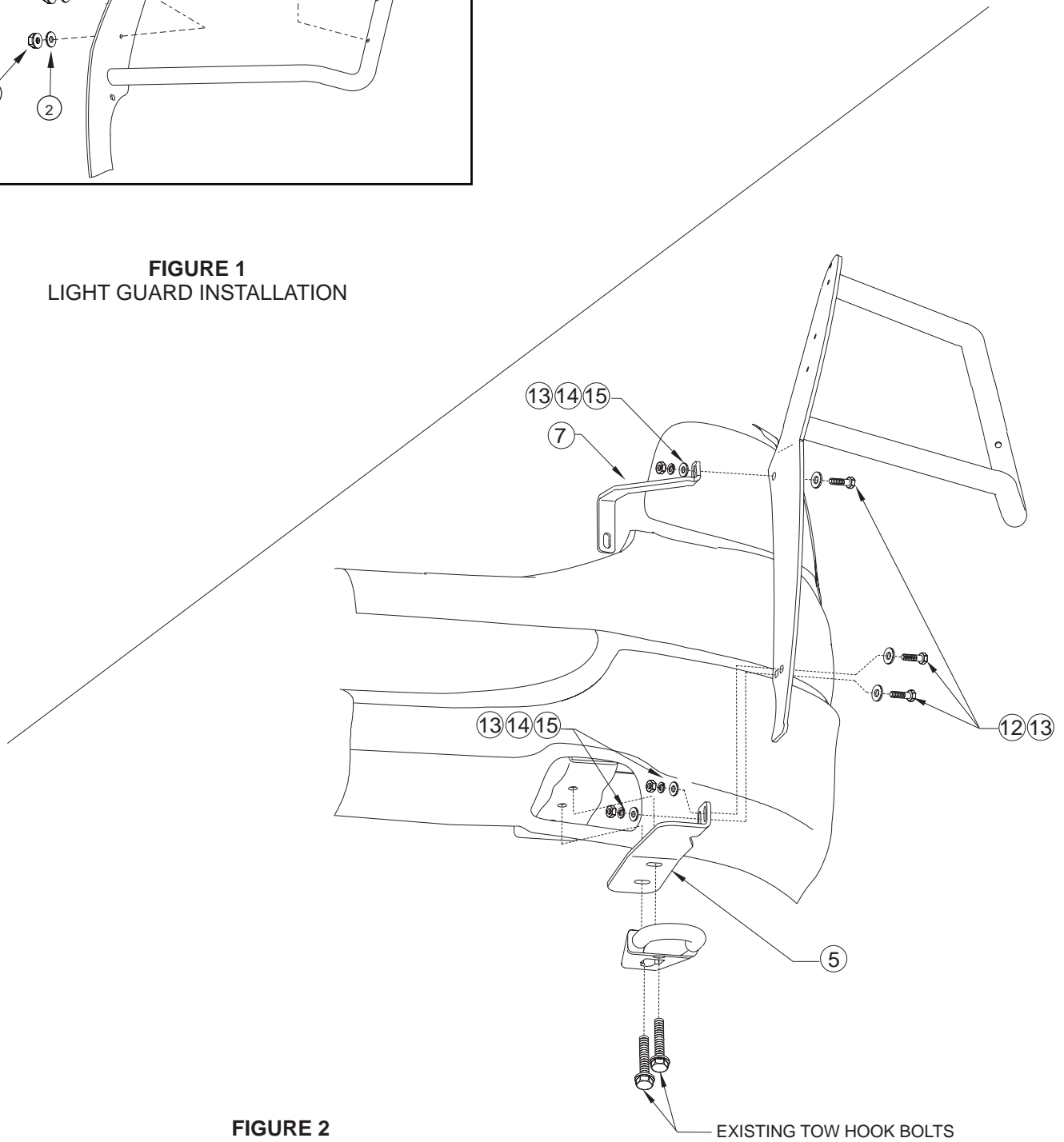
75-0410 REVISION D 5/2/07



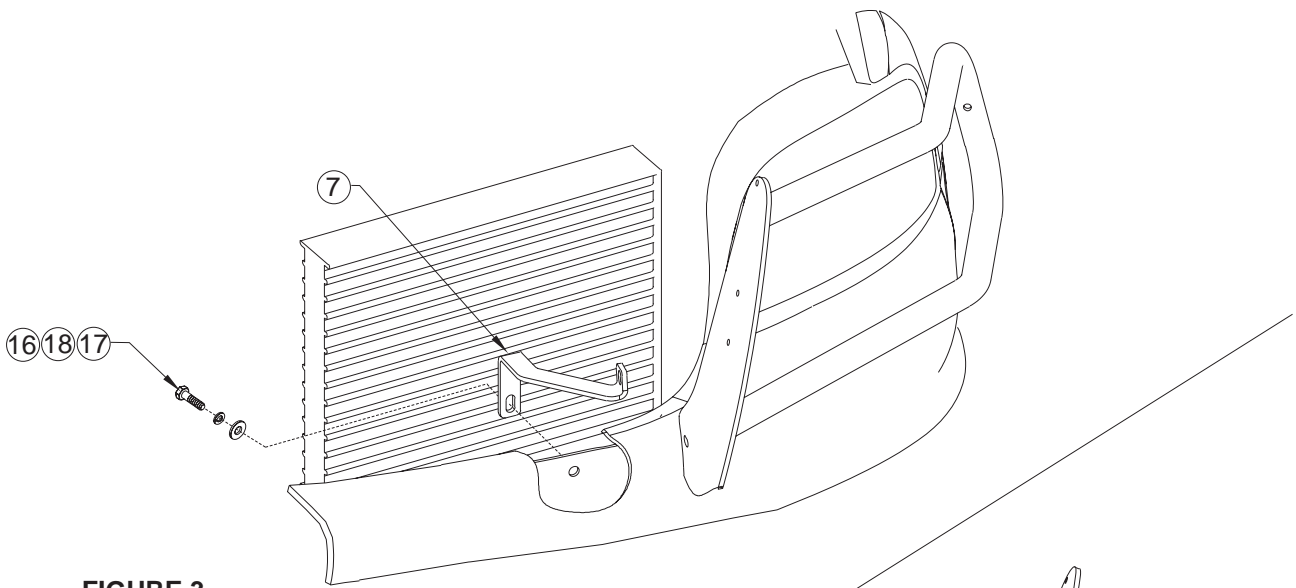
ITEM	QTY.	DESCRIPTION
1	8	1/4-20 X 1.00" BUTTON HEAD BOLT
2	8	1/4" FLAT WASHER
3	4	1/4" INTERNAL TOOTH LOCK WASHER
4	4	1/4-20 NYLON NUT
5	8	RUBBER WASHER

NOTE: ALL FASTENERS MAY NOT BE USED.

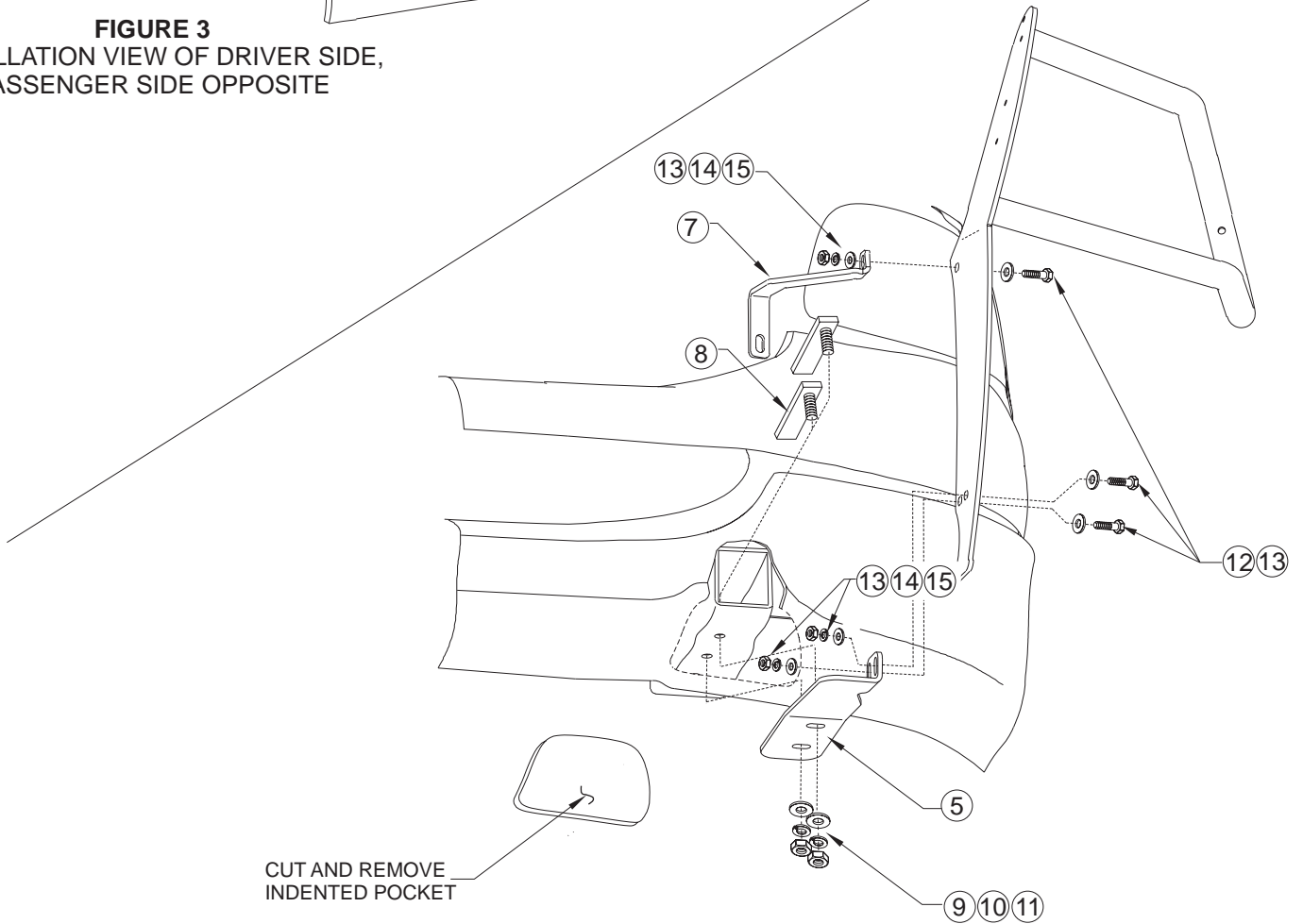
**FIGURE 1**  
LIGHT GUARD INSTALLATION



**FIGURE 2**  
INSTALLATION VIEW OF DRIVER SIDE,  
PASSENGER SIDE OPPOSITE



**FIGURE 3**  
INSTALLATION VIEW OF DRIVER SIDE,  
PASSENGER SIDE OPPOSITE



**FIGURE 4**  
2 WHEEL DRIVE WITHOUT TOW HOOKS

Finish protection - Westin products have a high quality finish that must be cared for like any other exposed finish on the vehicle. Protect the finish with a non-abrasive automotive wax (pure carnauba, for example) on a regular basis. The use of cleaner wax or any compound which contains an abrasive is detrimental, as the compounds scratch the finish and open it to corrosion.