



SIGNATURE OF QUALITY

INSTRUCTIONS—INSTRUCCIONES—CONSIGNES

APPLICATION: 2004-2012 NISSAN TITAN, PATHFINDER ARMADA, & ARMADA
PART # 40-1485, 45-1480
SPORTSMAN GRILLE GUARD

AUTOMOTIVE PRODUCTS, INC.

ITEM	QUANTITY	DESCRIPTION	TOOLS NEEDED
1	1	GRILLE GUARD	18MM SOCKET
2,3	1	LOWER MOUNTING BRACKET (2) DRIVER SIDE, (3) PASSENGER SIDE	17MM SOCKET
4,5	1	TOP MOUNT BRACE, 2008+ ARMADA (4) DRIVER SIDE, (5) PASSENGER SIDE	6MM HEX L-KEY (INCL.)
6,7	1	TOP MOUNT BRACE, 04+ TITAN (6) DRIVER SIDE, (7) PASSENGER SIDE	19MM SOCKET
8	4	M12-1.25MM X 45MM HEX CAP SCREW	RATCHET
9	4	M12 X 32MM OD FLAT WASHER	19MM WRENCH
10	4	M12-1.75MM X 40MM HEX CAP SCREW	18MM WRENCH
11	2	M8-1.25MM X 40MM HEX CAP SCREW	17MM WRENCH
12	2	M8-1.25MM HEX NUTS	13MM SOCKET
13	4	M8 X 24MM OD FLAT WASHER	13MM WRENCH
14	2	M8 SPRING LOCK WASHER	
15	4	M12-1.75MM HEX NUT	
16	4	M12 SPRING LOCK WASHER	
17	8	M12 X 24MM OD FLAT WASHER	
18	2	M10-1.5MM X 30MM HEX SOCKET CAP SCREW	
19	2	M10-1.5MM HEX NUT	
20	2	M10 SPRING LOCK WASHER	
21	4	M10 X 20MM OD FLAT WASHER	
22	2	SINGLE SIDED FOAM TAPE	

ANTI-SEIZE LUBRICANT MUST BE USED ON ALL STAINLESS STEEL FASTENERS TO PREVENT THREAD DAMAGE AND GALLING. BLACK ANTI-GLARE TAPE IS PROVIDED TO INSTALL BEHIND THE WING TOP TUBE TO REDUCE POTENTIAL HEADLIGHT GLARE.



Westin Automotive Products, Inc.
5200 N. Irwindale Ave. Ste 220
Irwindale, Ca 91706

Thank You for choosing Westin products
For additional installation assistance please call
Customer Service (800) 793-7846
www.westinautomotive.com

1. Remove all contents from box, verify all parts listed are present and free from damage. Carefully read and understand all instructions before attempting installation.

If vehicle is equipped with factory tow hooks, remove them from vehicle. Take the front bolt off the vehicle but only loosen the rear one by about 3/8". Slide the tow hook to the rear to remove it, (Figure 1).

- Note: On Titan PRO 4x, first remove the skid plate to get to the tow hooks. At the front, remove the four Torx bolts. At the rear, remove the two hex bolts holding the factory skid plate. (Figure 2 & 3) Then remove skid plate from vehicle and set aside. Then remove the skid plate mounting bracket and tow hook from truck.

3. Once the tow hooks are removed, proceed to install the mounting brackets. Locate driver side Mounting Bracket and position it on to frame. Place driver side tow hook on top of mounting bracket, (on PRO 4X, replace the skid plate mounting bracket) and re-attach it to the frame by using the factory tow hook bolts, (Figure 4A & 4B). NOTE: If vehicle is not equipped with factory tow hooks, use the included (2) 12-1.25MM x 45MM Fine Thread Hex Bolts and (2) 12MM X 32MM OD Flat washers to attach the mounting bracket to the frame. (Figure 5) Do not tighten at this time. Repeat this step for passenger side.

4. On all Models open the hood and remove the factory grille shell from the front of the vehicle. There are twelve clips holding the grille shell in place. Once clips are removed, carefully pull on grille shell to remove it. (Figure 6) Set aside grille shell and protect it from possible damage.

5. Apply the included foam tape to the bottom and top surface of the Top Support Bracket to protect the finish of the bumper and grille shell, especially on 2008+ Armadas. (Figure 7A)

- On the 2008+ Armada there are two plastic fasteners on each side of the top inner side of the bumper. Remove the outer plastic fastener on each side, (the one closest to the headlight housings). Attach driver side Top Support Bracket using the included (1) 8mm x 40mm Hex Head Bolt, (2) 8mm Flat Washers, (1) 8mm spring lock washer, and (1) M8-1.25mm Hex nut. (Figure 7B) Do not tighten at this time. Repeat this step for passenger side.

- For all Titans & -07 Armada's, remove the two factory bolts located on the top inner side of the bumper. Attach Top Brackets using the existing bolts. (Figure 8) Do not tighten at this time.

7. Re-install the factory grille shell back on to the vehicle. NOTE: To ease the re-installation of the grille shell, mount the fasteners on the grille shell. Once all the fasteners are installed on the grille shell, align fasteners to the original mounting location and push them back into place. (Figure 9)

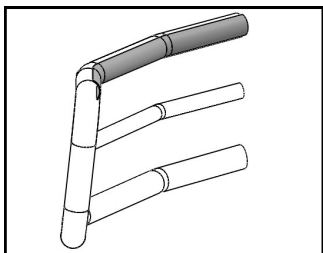
8. With assistance, position the grille guard on the outer sides of the mounting brackets. Attach Grille Guard to Mounting Brackets with the included (4) 12-1.75mm x 40mm hex bolts, (4) 12mm spring lock washers, (8) M12 x 24MM OD flat washers. (Figure 10) Do not tighten at this time.

9. Proceed to attach Top Brackets to Grille Guard with the included (2) 10-1.5mm x 25mm Allen Bolts, (2) 10mm Nylock Nuts, and (4) 10mm Flat Washers, (Figure 11). Do not tighten at this time.

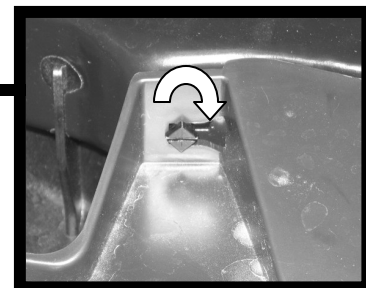
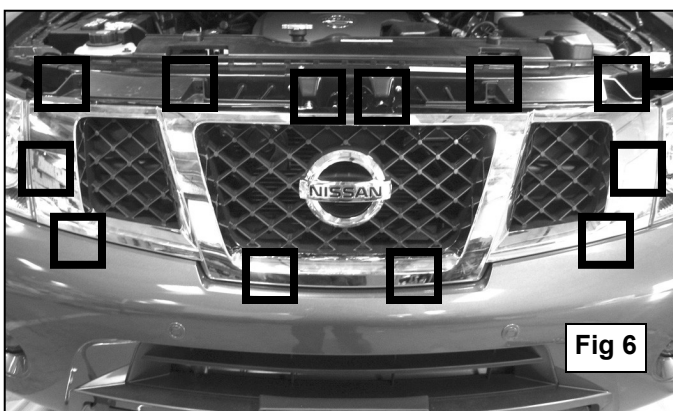
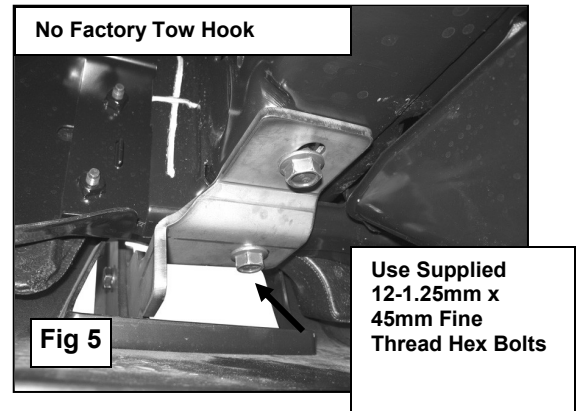
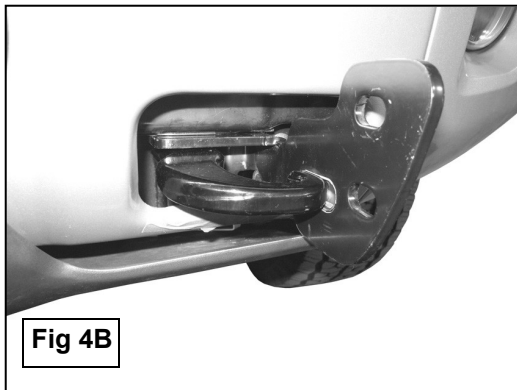
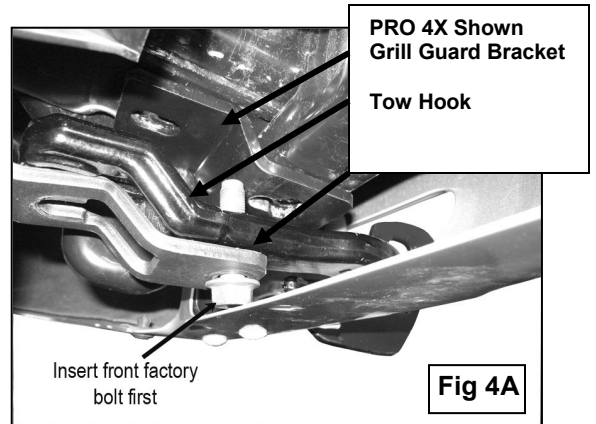
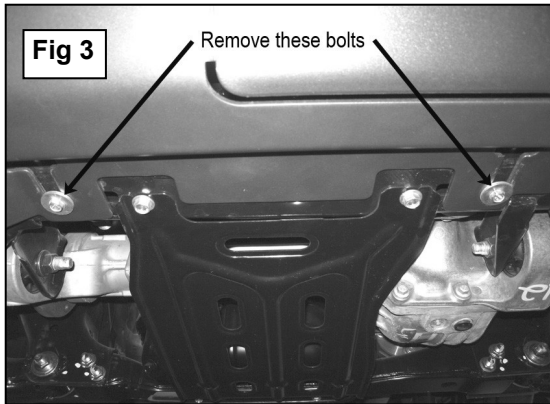
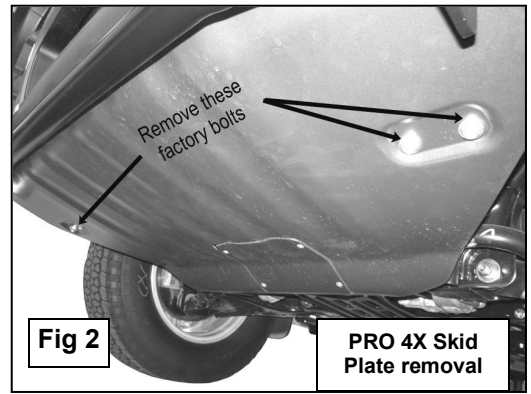
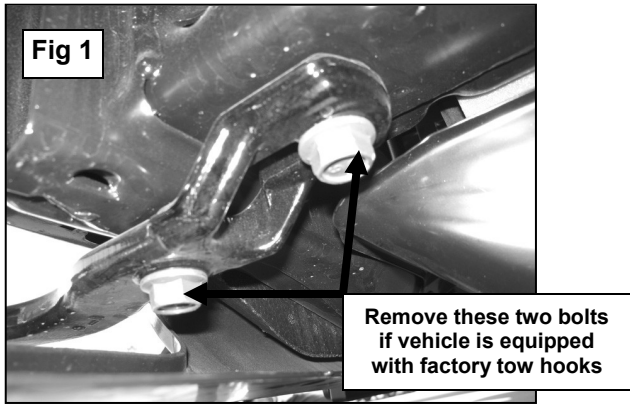
10. Adjust grille guard as desired, then tighten all hardware at this time.

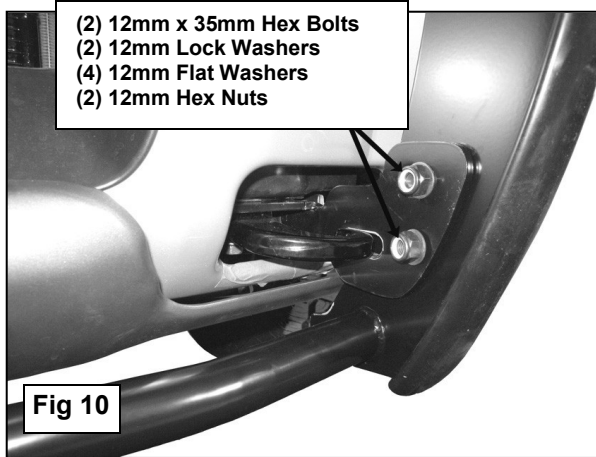
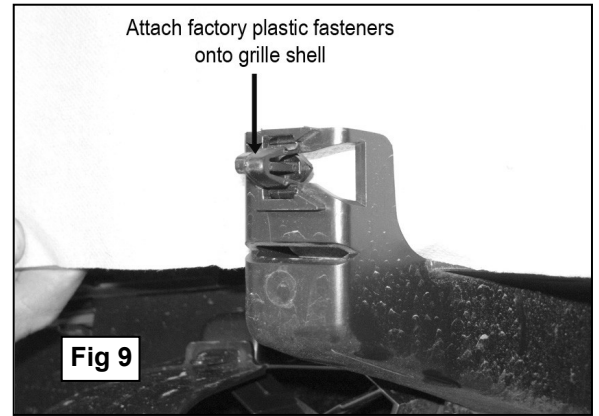
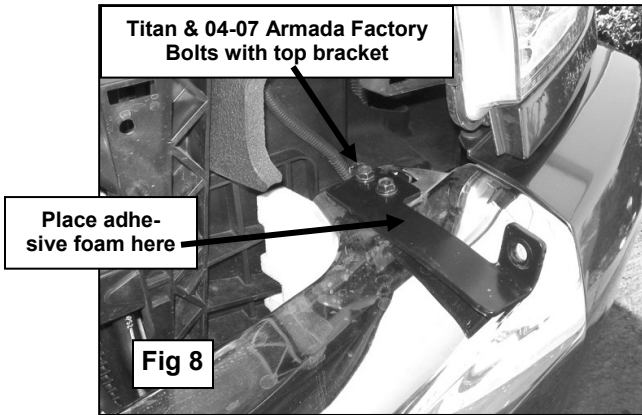
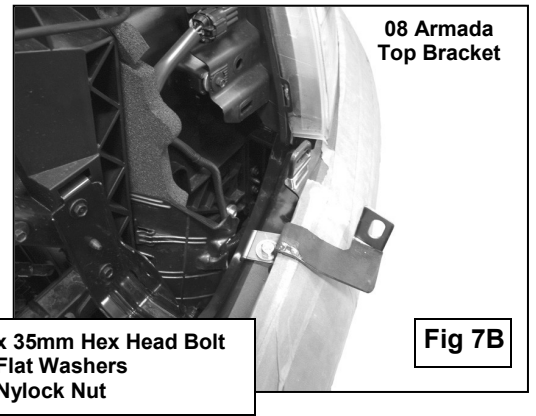
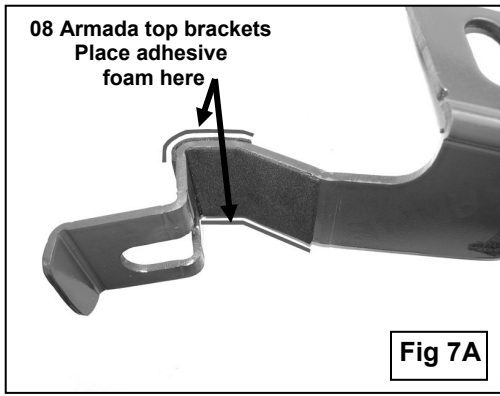
11. For PRO 4X and others with skid plates, reinstall the skid plate now reusing your factory hardware.

Do periodic inspections to the installation to make sure that all hardware is secure and tight.



On polished grille guards. Anti-reflective tape is included to help reduce the amount of glare reflected from the headlights. It should be applied on the top tube section of the grille guard wings as shown on the illustration. Tape may need to be cut to correct length.





Titan & 04-07 Armada shown, without grille on for photo purposes.
Note: Grille should be reinstalled before attaching Grille Guard

