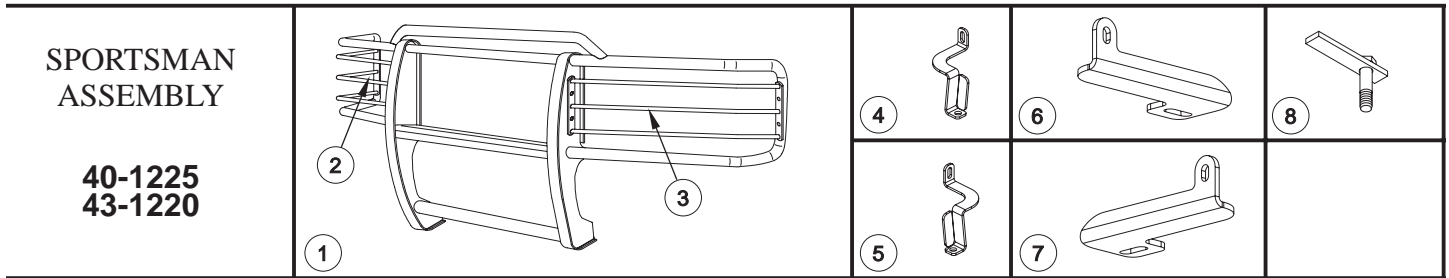




INSTALLATION INSTRUCTIONS

APPLICATION: 2003-UP GMC SIERRA 1500LD 2/4 WHEEL DRIVE

AUTOMOTIVE PRODUCTS, INC.



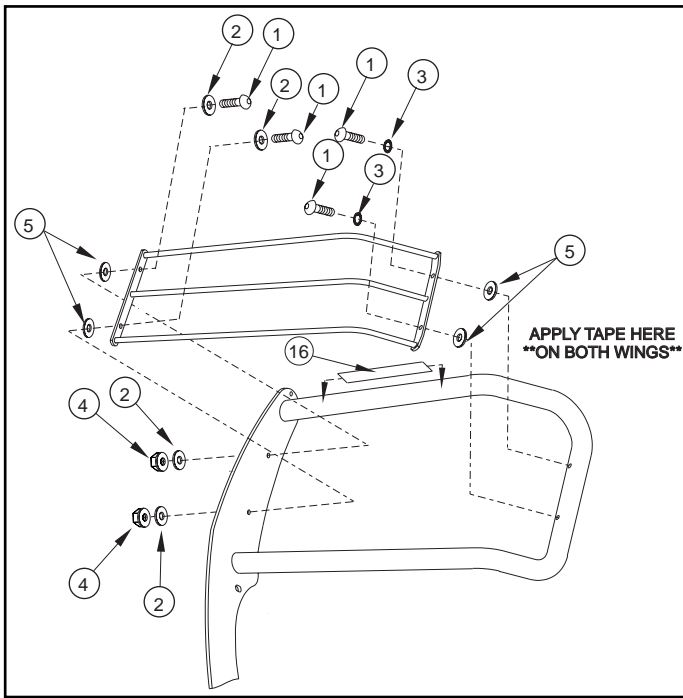
PARTS KIT CONTENTS

ITEM	QTY	DESCRIPTION	ITEM	QTY	DESCRIPTION
1	1	SPORTSMAN ASSEMBLY	11	4	1/2-13 HEX NUT
2,3	2	LIGHT GUARD ASSEMBLY	12	4	3/8-16 X 1.25" HEX HEAD BOLT
4,5	2	TOP BRACKET, PASSENGER(4) AND DRIVER(5)	13	8	3/8" FLAT WASHER
6,7	2	BOTTOM BRACKET, PASSENGER(6) AND DRIVER(7)	14	4	3/8" LOCK WASHER
8	2	BOLT PLATE	15	4	3/8-16 HEX NUT
9	4	1/2" FLAT WASHER	16	2	ANTI-REFLECTIVE TAPE (FOR CHROME ASSEMBLIES ONLY.)
10	4	1/2" LOCK WASHER			

TOOLS REQUIRED

3/4" SOCKET	3/4" WRENCH	9/16" SOCKET	9/16" WRENCH	19MM SOCKET
7/16" WRENCH	5/32" HEX WRENCH	18MM SOCKET	15MM SOCKET	10MM SOCKET
RATCHET	SOCKET EXTENSION	TORQUE WRENCH	FLAT TIP SCREWDRIVER	
PHILLIPS SCREWDRIVER				

- STEP 1. Remove the contents from box and check for damage. Verify all parts are present. Read instructions completely before beginning.
- STEP 2. Attach light guard assemblies as shown. **SEE FIGURE 1.**
- STEP 3. Remove plastic shroud above grille by removing the seven pin retainers. Pull center pin up with small flat screwdriver. **SEE FIGURE 2.**
- STEP 4. Remove grille from truck by removing 6mm bolt from top of grille. Then pull on outer edge of grille by applying firm pressure away from the fender, repeat on the opposite side and center section. Carefully remove grille from vehicle. **SEE FIGURE 3.**
- STEP 5. To install top brackets, remove both 12mm factory bumper bolts from top of frame (located behind the top side of bumper), then replace with top mount brackets as shown. **SEE FIGURE 4.**
- STEP 6. To install bottom brackets, remove 12mm bolts from bottom side of frame (with tow hooks). Position bottom bracket as shown and reinstall 12mm bolts finger tight. For applications without tow hooks use the bolt plates and 1/2" fasteners as shown.
- STEP 7. Raise the Sportsman up to the brackets and attach using 3/8" fasteners. Hand tighten. Adjust Sportsman to center of truck and torque all fasteners at the frame locations only to: 1/2" fasteners to 65 FT. LBS and 12mm fasteners to 60 FT. LBS.
- STEP 8. Remove Sportsman from brackets and re-install vehicle grille and plastic shroud in the opposite order of removal.
- STEP 9. Re-attach Sportsman to brackets and tighten the 3/8" bolts to 30 FT. LBS.
- STEP 10. For chrome assemblies. If light glare is being experienced off the wings of the Sportsman, anti-reflective tape has been supplied to reduce glare. With headlights on, note where the reflection is concentrated on the wing. Clean the wing well with a non-abrasive cleaner (rubbing alcohol works the best.) Trim the anti-reflective tape to the appropriate size where the glare was located and apply tape. **SEE FIGURE 1.**



ITEM	QTY.	DESCRIPTION
1	8	1/4-20 X 1.00" BUTTON HEAD BOLT
2	8	1/4" FLAT WASHER
3	4	1/4" INTERNAL TOOTH LOCK WASHER
4	4	1/4-20 NYLON NUT
5	8	RUBBER WASHER

NOTE: ALL FASTENERS MAY NOT BE USED.

FIGURE 1
LIGHT GUARD INSTALLATION

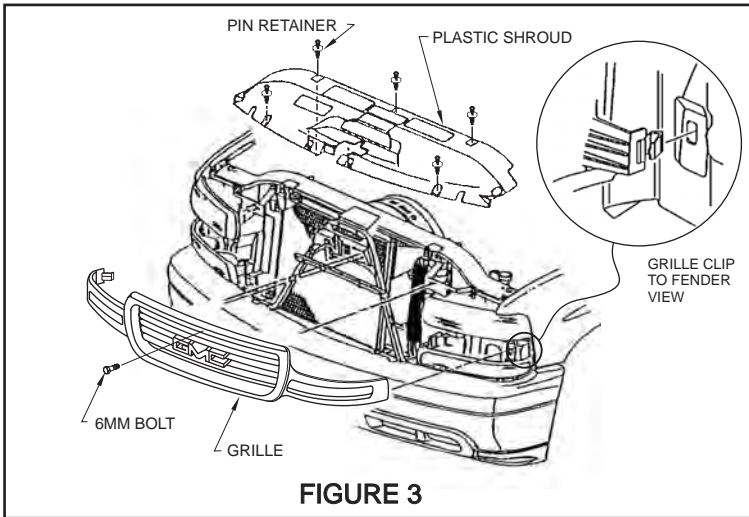


FIGURE 3

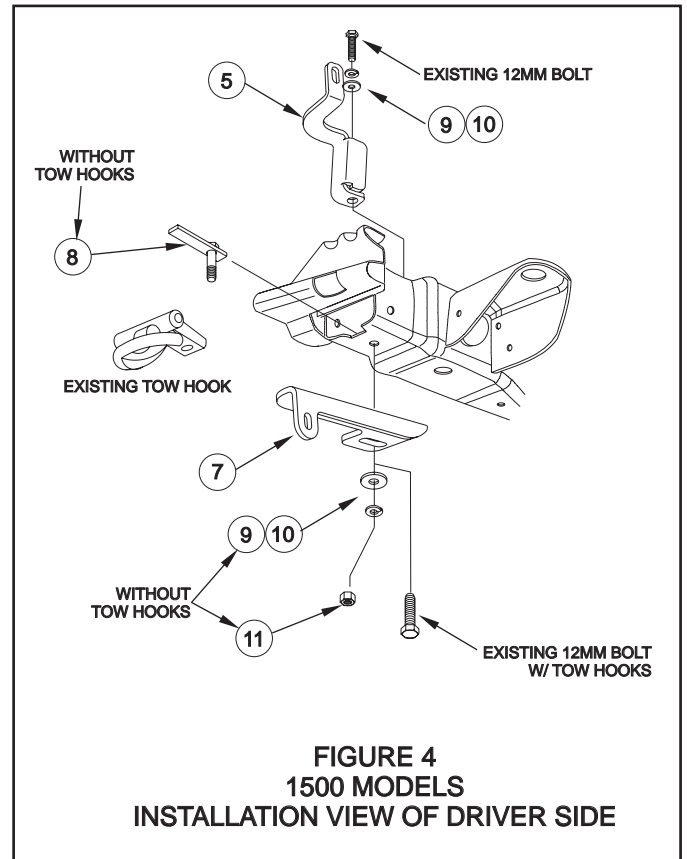


FIGURE 4
1500 MODELS
INSTALLATION VIEW OF DRIVER SIDE

Finish protection - Westin products have a high quality finish that must be cared for like any other exposed finish on the vehicle. Protect the finish with a non-abrasive automotive wax (pure carnauba, for example) on a regular basis. The use of cleaner wax or any compound which contains an abrasive is detrimental, as the compounds scratch the finish and open it to corrosion.