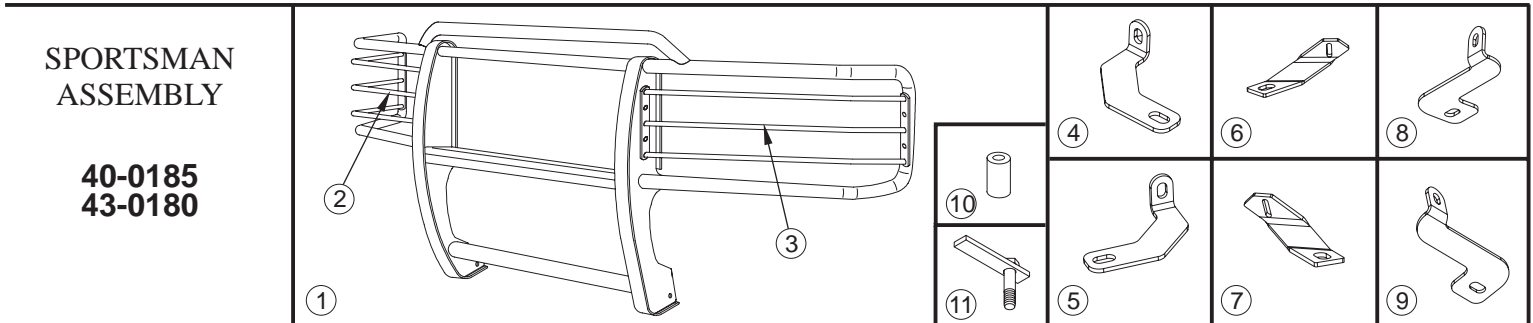




AUTOMOTIVE PRODUCTS, INC.

INSTALLATION INSTRUCTIONS

APPLICATION: 1999-02 CHEVROLET SILVERADO
 2000-UP CHEVROLET SUBURBAN/TAHOE
 1500 SERIES 2/4 WHEEL DRIVE



PARTS KIT CONTENTS

ITEM	QTY	DESCRIPTION	ITEM	QTY	DESCRIPTION
1	1	SPORTSMAN ASSEMBLY	13	4	1/2" FLAT WASHER
2,3	2	LIGHT GUARD ASSEMBLY, PASSENGER (2) AND DRIVER (3)	14	4	1/2" LOCK WASHER
4,5	2	TOP BRACKET, PASSENGER (4) AND DRIVER(5)	15	2	1/2-13 HEX NUT
6,7	2	SUPPORT BRACE, PASSENGER (6) AND DRIVER (7)	16	4	3/8-16 X 1.25" HEX HEAD BOLT
8,9	2	BOTTOM BRACKET, PASSENGER (8) AND DRIVER (9)	17	8	3/8" FLAT WASHER
10	2	SPACER TUBE	18	4	3/8" LOCK WASHER
11	2	BOLT PLATE (2WD ONLY)	19	4	3/8-16 HEX NUT
12	2	M12-1.75 X 90MM HEX HEAD BOLT	20	2	ANTI-REFLECTIVE TAPE

TOOLS REQUIRED

3/4" SOCKET	9/16" SOCKET	9/16" WRENCH	7/16" WRENCH	5/32" HEX WRENCH
18MM SOCKET	19MM SOCKET	10MM SOCKET	RATCHET	SOCKET EXTENSION
TORQUE WRENCH	PHILLIPS SCREWDRIVER	FLAT TIP SCREWDRIVER		

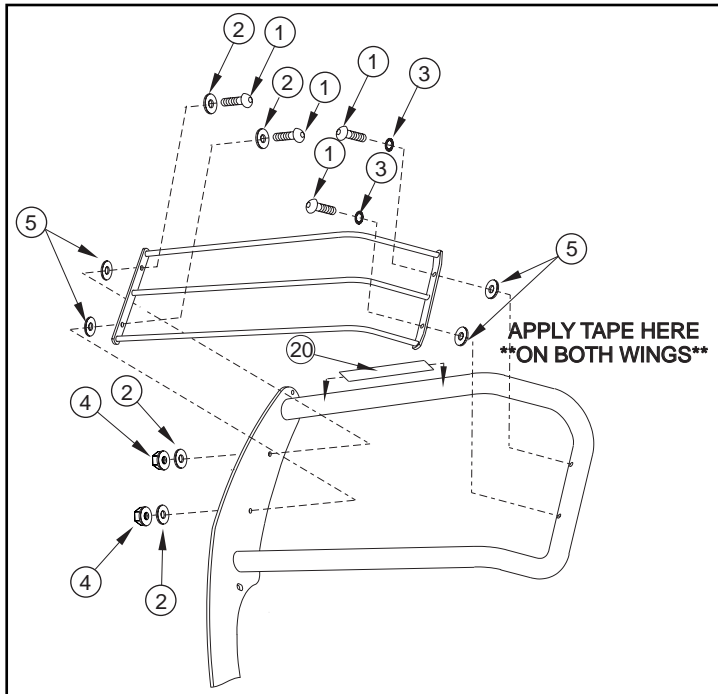
- STEP 1. Remove the contents from box and check for damage. Verify all parts are present. Read instructions completely before beginning.
- STEP 2. Attach light guard assemblies as shown. **SEE FIGURE 1.**
- STEP 3. Remove plastic shroud above grille by removing the seven pin retainers. Pull center pin up with small flat screwdriver. **SEE FIGURE 2.**
- STEP 4. Remove grille from vehicle by removing 6mm bolt from top of grille. Turn the four retainers 1/4 turn counter-clockwise with Phillips screwdriver. Pull on outer edge of grille by applying firm pressure away from the fender, repeat on the opposite side. Carefully remove grille from vehicle. **SEE FIGURE 2.**
- STEP 5. To install top brackets, remove both 12mm factory bumper bolts from top of frame (located behind the top side of bumper), and remove two 6mm bolts in radiator support frame (located just above bumper bolts). On each side, replace with spacer tube, top bracket, support brace, 1/2" flat washer, 1/2" lock washer, and 12mm hexhead bolt as shown. Hand tighten 12mm and 6mm bolts. **SEE FIGURES 3 AND 4.**
- NOTE:** Support brace (long slotted end) should be installed beneath lower transmission cooler support bar.
- STEP 6. To install bottom brackets, remove 12mm bolts from bottom side of frame (4X4 only). Position bottom bracket as shown and reinstall 12mm bolt finger tight, for 2WD use the bolt plate provided. **SEE FIGURE 4.**
- STEP 7. Raise the Sportsman up to the brackets and attach using 3/8" hardware. Hand tighten. Adjust Sportsman to center of truck and torque all fasteners at the frame locations only to: 1/2" fasteners to 65 FT. LBS; 12mm

WO:

75-0519 REVISION B 9/11/06

fasteners to 60 FT. LBS and 6mm fasteners to 10 FT. LBS.

- STEP 8. Remove Sportsman from brackets and re-install vehicle grille and plastic shroud in the opposite order of removal.
- STEP 9. Re-attach Sportsman to brackets and tighten the 3/8" bolts to 30 FT. LBS.
- STEP 10. For chrome assemblies. If light glare is being experienced off the wings of the Sportsman, anti-reflective tape has been supplied to reduce glare. With headlights on, note where the reflection is concentrated on the wing. Clean the wing well with a non-abrasive cleaner (rubbing alcohol works the best.) Trim the anti-reflective tape to the appropriate size where the glare was located and apply tape. **SEE FIGURE 1.**



ITEM	QTY.	DESCRIPTION
1	8	1/4-20 X 1.00" BUTTON HEAD BOLT
2	8	1/4" FLAT WASHER
3	4	1/4" INTERNAL TOOTH LOCK WASHER
4	4	1/4-20 NYLON NUT
5	8	RUBBER WASHER

NOTE: ALL FASTENERS MAY NOT BE USED.

FIGURE 1
LIGHT GUARD INSTALLATION

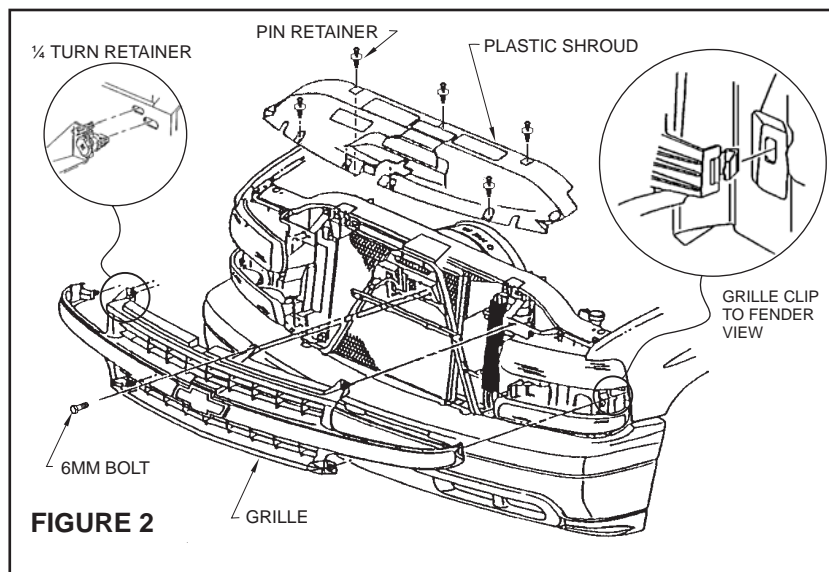
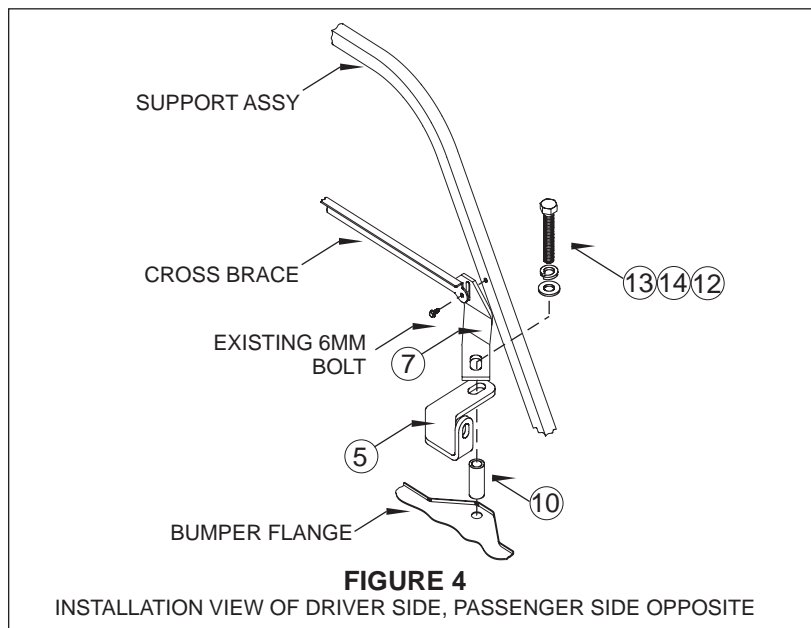
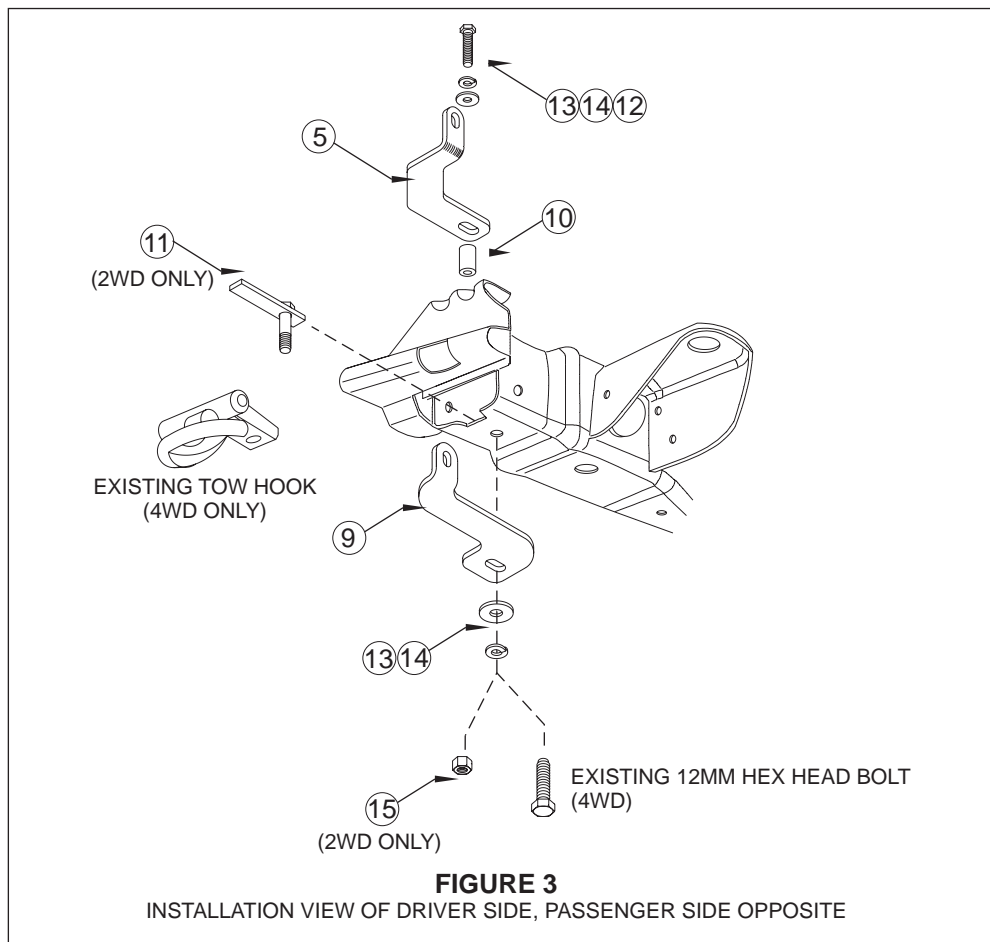


FIGURE 2



Finish protection - Westin products have a high quality finish that must be cared for like any other exposed finish on the vehicle. Protect the finish with a non-abrasive automotive wax (pure carnauba, for example) on a regular basis. The use of cleaner wax or any compound which contains an abrasive is detrimental, as the compounds scratch the finish and open it to corrosion.