



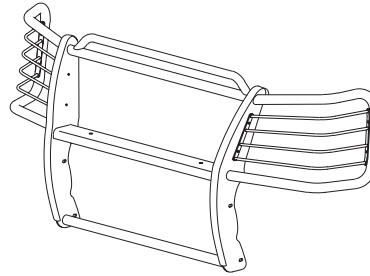
INSTALLATION INSTRUCTIONS

APPLICATION: 2003-UP SILVERADO 2500/3500HD 2/4 WHEEL DRIVE
2003-UP SILVERADO/SIERRA 1500HD/2500LD 2/4 WHEEL DRIVE

AUTOMOTIVE PRODUCTS, INC.

SPORTSMAN ASSEMBLY

40-1245
43-1240
40-1915
43-1910



PARTS KIT CONTENTS

ITEM	QTY	DESCRIPTION	ITEM	QTY	DESCRIPTION
1	1	SPORTSMAN ASSEMBLY	9	4	1/2" LOCK WASHER
2	2	LIGHT GUARD ASSEMBLY	10	2	1/2-13 HEX NUT
3	2	TOP BRACKET, PASSENGER AND DRIVER	11	4	3/8-16 X 1.25" HEX HEAD BOLT
4	2	BOTTOM BRACKET, PASSENGER AND DRIVER	12	8	3/8" FLAT WASHER
5	2	BOLT PLATE	13	4	3/8" LOCK WASHER
6	2	M12-1.75 X 40MM HEX HEAD BOLT	14	4	3/8-16 HEX NUT
7	2	12MM-1.75 HEX NUT	15	2	15" REFLECTIVE TAPE
8	8	1/2" FLAT WASHER			

TOOLS REQUIRED

3/4" SOCKET	3/4" WRENCH	9/16" SOCKET	9/16" WRENCH	7/16" WRENCH
5/32" HEX WRENCH	19MM SOCKET	18MM SOCKET	15MM SOCKET	RATCHET
SOCKET EXTENSION	TORQUE WRENCH			

- STEP 1. Remove the contents from box and check for damage. Verify all parts are present. Read instructions completely before beginning.
- STEP 2. Attach light guard assemblies as shown. **SEE FIGURE 1.**
- STEP 3. From underneath the vehicle on the driver side, remove the tow hook bolt on the outside of the frame. Slide bolt plate in through the end of frame rail and allow bolt to drop through the large hole closest to the end of the frame. **SEE FIGURE 2.** Place bottom mount bracket up to bottom of frame and secure to bolt plate with flat washer, lock washer and hex nut. Replace factory tow hook bolt with 12mm bolt provided. If vehicle does not have tow hooks, use the 12mm x 40mm bolts and fasteners to secure mount bracket to the side of the frame. Leave loose. Repeat for passenger side.
- STEP 4. From the front of vehicle, locate the top bumper mounting bolt. This can be seen by looking through the bumper cut outs in the front of the bumper opening. Use factory bumper bolt to secure bracket. **SEE FIGURE 2.** Leave loose. Repeat for opposite side.
- STEP 5. Place Sportsman up to vehicle and secure mount brackets to Sportsman uprights using 3/8" fasteners. Level and adjust Sportsman. Tighten and torque all fasteners as follows: 3/8" fasteners to 30 FT. LBS; 10mm fasteners (bumper mounting bolts) to 37 FT. LBS; 12mm fasteners (tow hook bolts) to 60 FT. LBS and 1/2" fasteners to 65 FT. LBS.
- STEP 6. If light glare is being experienced off the wings of the grille guard, anti reflective tape has been supplied to reduce glare. With headlights on, note where the reflection is concentrated on the wing. Clean the wing well with a non-abrasive cleaner (rubbing alcohol works the best.) Trim the anti-reflective tape to the appropriate size where the glare was located and apply tape. **SEE FIGURE 1.**

ITEM	QTY.	DESCRIPTION
1	8	1/4-20 X 1.00" BUTTON HEAD BOLT
2	8	1/4" FLAT WASHER
3	4	1/4" INTERNAL TOOTH LOCK WASHER
4	4	1/4-20 NYLON NUT
5	8	RUBBER WASHER

NOTE: ALL FASTENERS MAY NOT BE USED.

FIGURE 1
LIGHT GUARD INSTALLATION

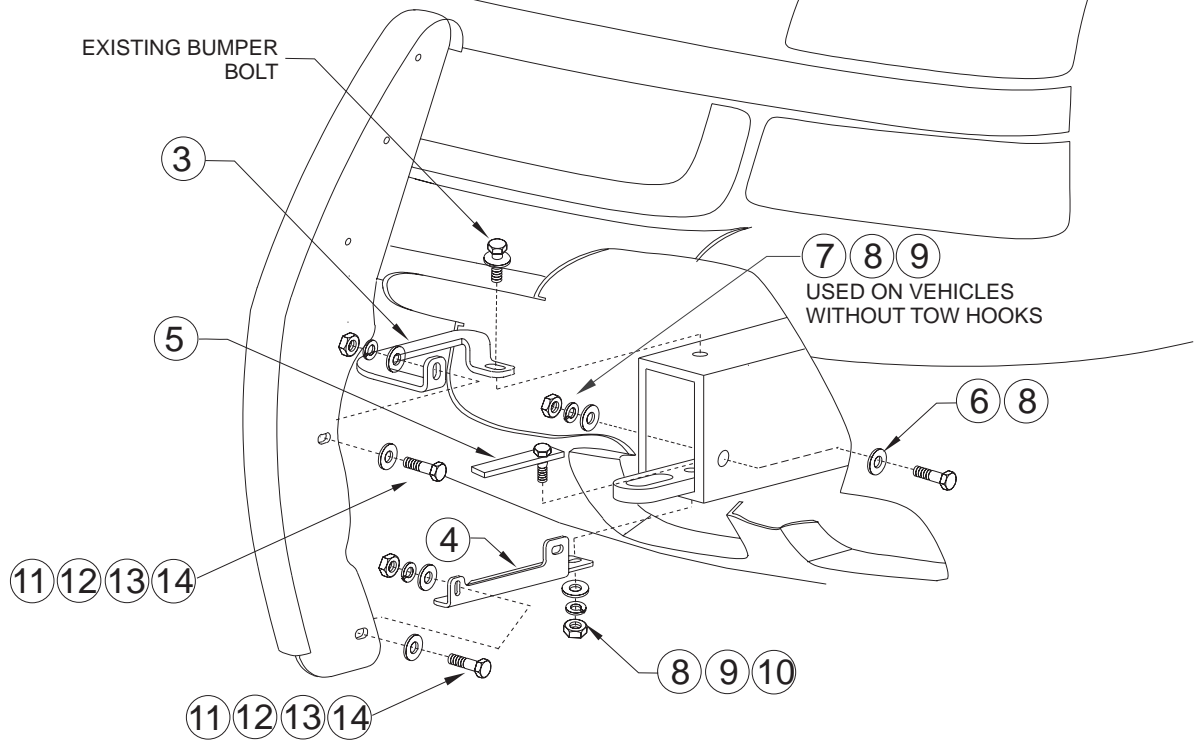
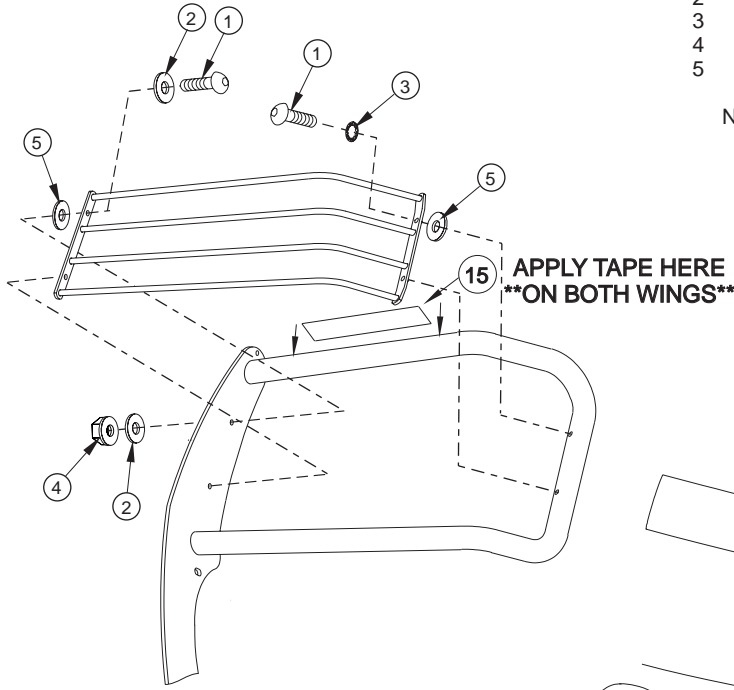


FIGURE 2
BOTTOM BRACKET INSTALLATION

Finish protection - Westin products have a high quality finish that must be cared for like any other exposed finish on the vehicle. Protect the finish with a non-abrasive automotive wax (pure carnauba, for example) on a regular basis. The use of cleaner wax or any compound which contains an abrasive is detrimental, as the compounds scratch the finish and open it to corrosion.