



AUTOMOTIVE PRODUCTS,

INSTALLATION INSTRUCTIONS

6" PREMIER AND 4" OVAL TUBE MOUNT KIT

APPLICATION:

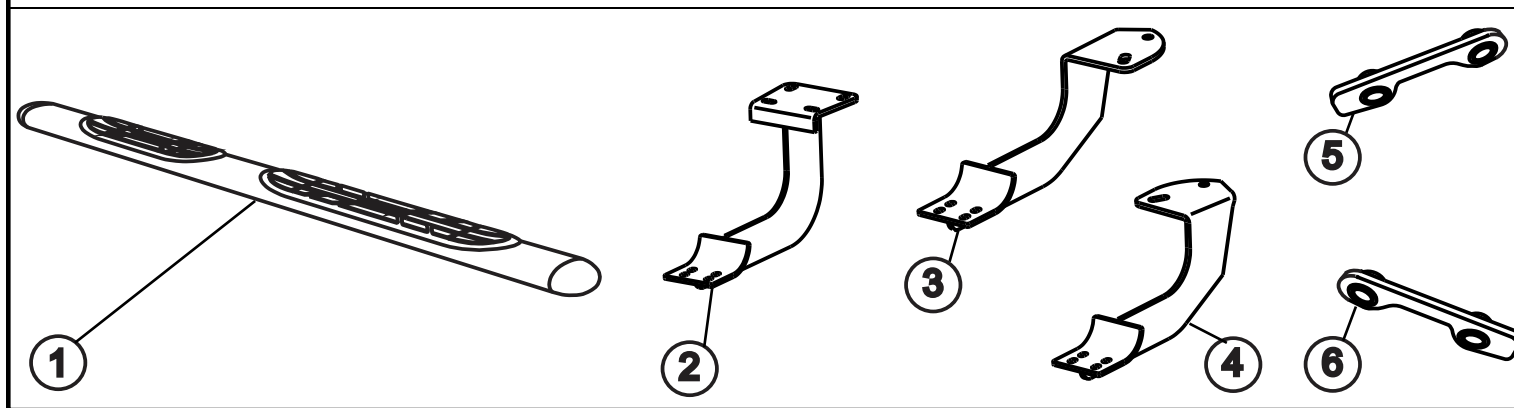
1998-2006 Ford Ranger Extended Cab

PART NUMBER:

22-1445

ITEM	QUANTITY	DESCRIPTION	TOOLS NEEDED
1	2	STEP BAR (SOLD SEPARATELY)	9/16" SOCKET
2	2	REAR BRACKET	9/16" WRENCH
3,4	2	FRONT BRACKET, PASSENGER (3) AND DRIVER (4)	7/16" SOCKET
5,6	2	MOUNT PLATE ASSEMBLY, PASSENGER (5) AND DRIVER (6)	7/16" WRENCH
7	4	3/8-16 X 1.00" HEX HEAD BOLT	13MM WRENCH
8	4	3/8" FLAT WASHER	RATCHET
9	4	3/8" LOCK WASHER	TORQUE WRENCH
10	8	M8 FLANGE NUT	
11	4	MOUNT ADAPTER PLATE (INCLUDED WITH STEP BARS)	
12	16	M6 LOCK NUT (INCLUDED WITH STEP BARS)	
13	16	M6 FLAT WASHER (INCLUDED WITH STEP BARS)	
14	4	6 INCH ADAPTER PLATE (INCLUDED WITH STEP BARS)	

ANTI-SEIZE LUBRICANT MUST BE USED ON ALL STAINLESS STEEL FASTENERS TO PREVENT THREAD DAMAGE AND GALLING



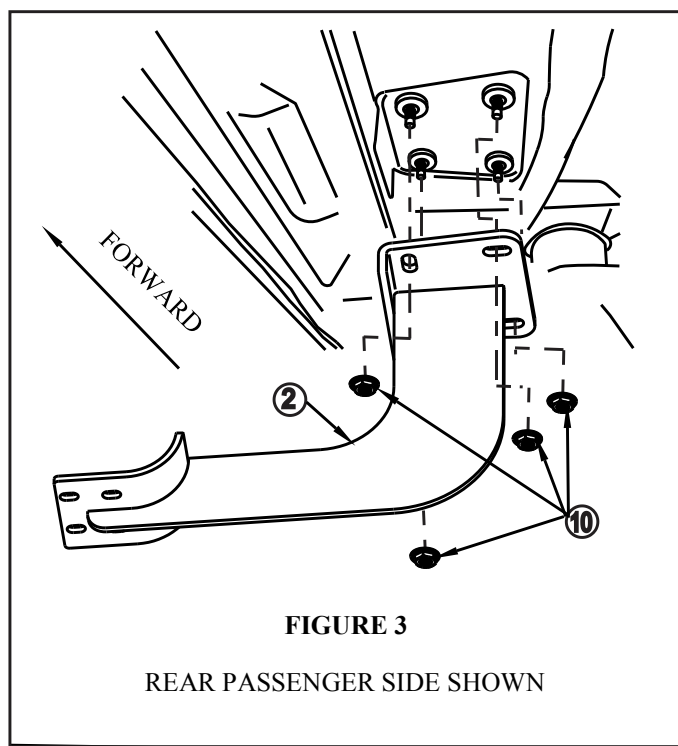
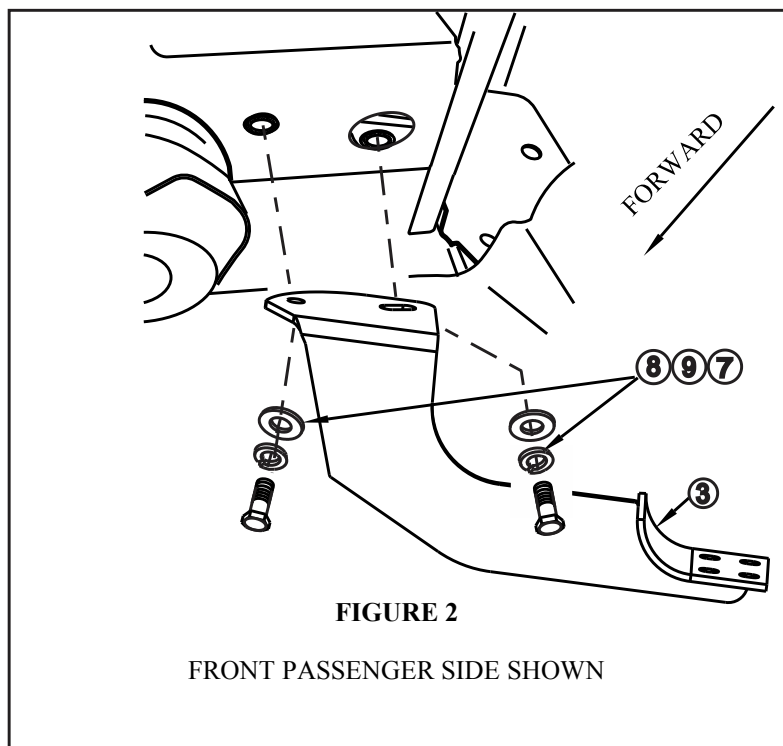
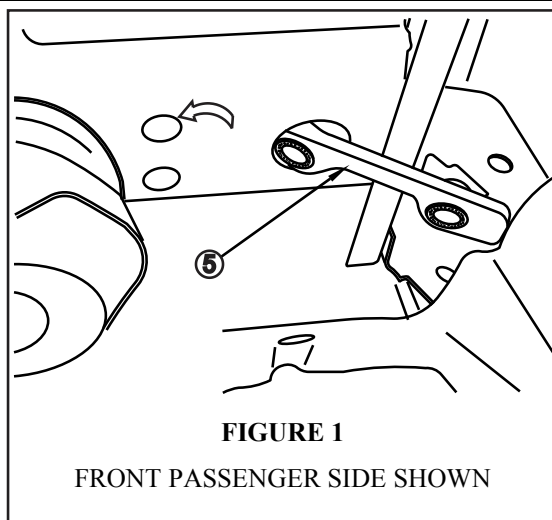
Westin Automotive Products, Inc.
320 W. Covina Blvd
San Dimas, Ca. 91773

Thank you for choosing Westin products
for additional installation assistance please call
Customer Service (800) 793-7846

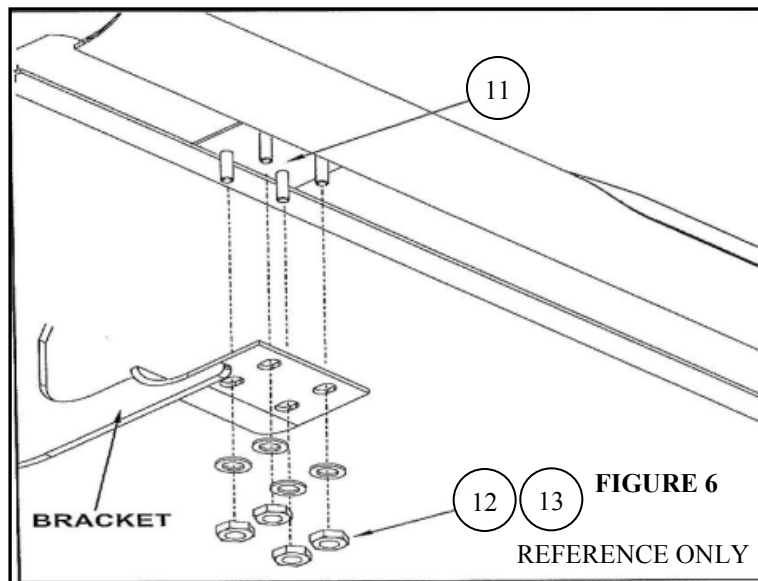
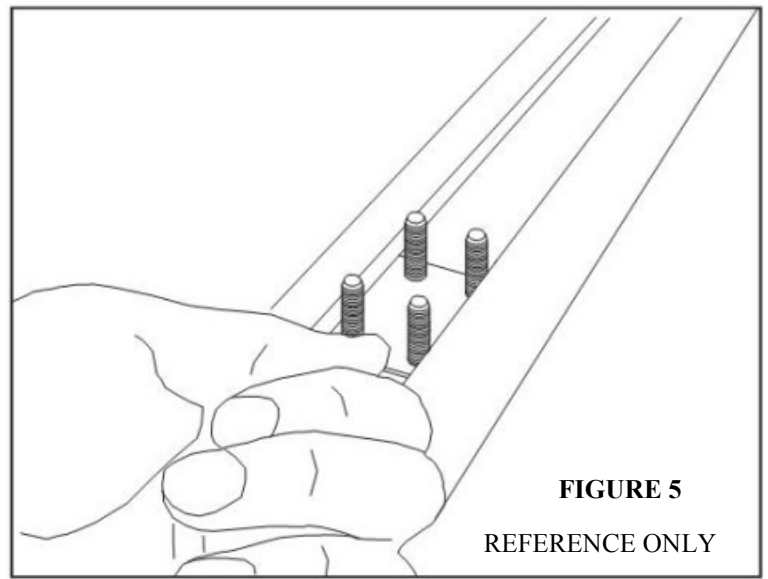
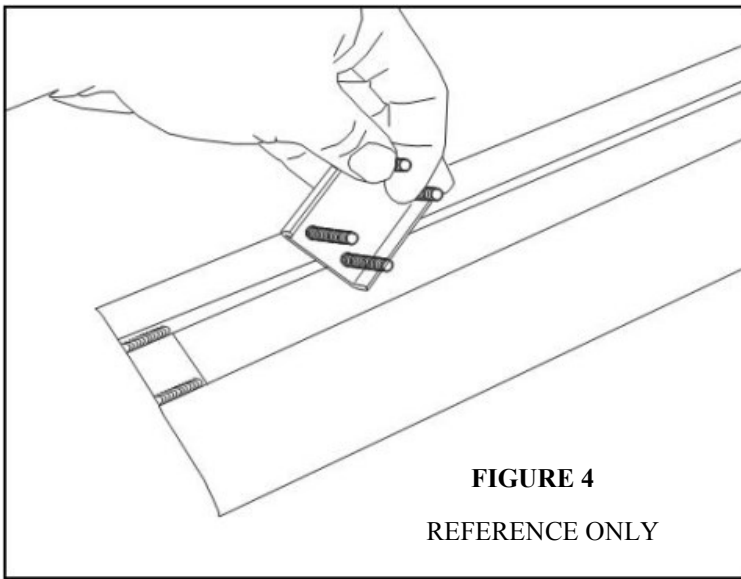
www.westinautomotive.com

PROCEDURE

1. Remove contents from box, verify if all parts listed are present and free from damage. Carefully read and understand all instructions before attempting installation.
Failure to identify damage before installation could lead to a rejection of any claim.
2. Insert mount plates as shown. See **FIGURE 1**.
3. Install brackets as shown. See **FIGURES 2 & 3**.
4. Slide mount adapter plates on step bar as shown. Place step bar on saddle with long pad forward and end cap screw facing inward. Assemble with M6 hardware. See **FIGURES 4, 5, & 6**. Reference installation sheet, 75-0820, Oval Tube Mount Adapter Kit.
5. Make sure step bar and brackets are properly aligned with vehicle and tighten fasteners. Recommended torque values are 26 FT.LBS. for 3/8" fasteners, 7 FT.LBS. for 1/4" fasteners, 16FT.LBS. for 8mm fasteners.
6. Repeat for passenger side.



Westin Automotive Products, Inc.
320 W. Covina Blvd
San Dimas, Ca. 91773



CARE INSTRUCTIONS

- REGULAR WAXING IS RECOMMENDED. DO NOT USE ANY TYPE OF POLISH OR WAX THAT MAY CONTAIN ABRASIVES.
- STAINLESS STEEL PRODUCTS CAN BE CLEANED WITH MILD SOAP AND WATER. STAINLESS STEEL POLISH SHOULD BE USED TO POLISH SMALL SCRATCHES.
- GLOSS BLACK FINISHES SHOULD BE CLEANED WITH MILD SOAP AND WATER.



Westin Automotive Products, Inc.
320 W. Covina Blvd
San Dimas, Ca. 91773

Thank you for choosing Westin products
for additional installation assistance please call
Customer Service (800) 793-7846
www.westinautomotive.com