



SIGNATURE OF QUALITY

AUTOMOTIVE PRODUCTS, INC.

# INSTRUCTIONS—INSTRUCCIONES—CONSIGNES

APPLICATION: 2015 GMC SIERRA 2500/3500

HDX AND SPORTSMAN GRILLE GUARDS

APPLICATION PART #'S 45-3790, 40-3795, 57-3790, 57-3795

ITEM	QUANTITY	DESCRIPTION	TOOLS NEEDED
1	1	GRILLE GUARD	RATCHET
2,3	2	LOWER MOUNTING BRACKETS (DRV & PASS)	SCREWDRIVER
4,5	2	SUPPORT STRAPS (DRV & PASS)	15MM WRENCH
6	4	M12 FLANGE BOLT	15MM SOCKET
7	4	M12 FLANGE NUT	ALLEN WRENCH
8	8	M10 STAINLESS BUTTON HEAD BOLT	18MM WRENCH
9	8	M10 STAINLESS CUPPED WASHER	18MM SOCKET
10	8	M10 STAINLESS FLANGE NUT	10MM SOCKET
11	2	M12 HEX HEAD BOLT	16MM SOCKET
12	2	M12 LOCK WASHER	16MM WRENCH
13	2	M12 FLAT WASHER	RATCHET EXT.
14	2	SPACER	TORQUE WRENCH

### ANTI-SEIZE LUBRICANT MUST BE USED ON ALL STAINLESS STEEL FASTENERS TO PREVENT THREAD DAMAGE AND GALLING

1. Remove contents from box, verify if all parts listed are present and free from damage. Carefully read and understand all instructions before attempting installation.
2. Remove the vehicle's plastic radiator cover as shown in Figure 1.
3. Remove the vehicle's grille as shown in Figure 2.
4. Remove the (6) bolts securing the vehicle's bumper to the frame mounts. Refer to Figures 3 & 4.
5. With assistance carefully pull the vehicle's front bumper off of the frame mounts. Note: Be sure to disconnect any wiring for fog lights or parking sensors which may be present on some vehicles.



Pull up all fasteners and remove plastic radiator cover.

Fig. 1

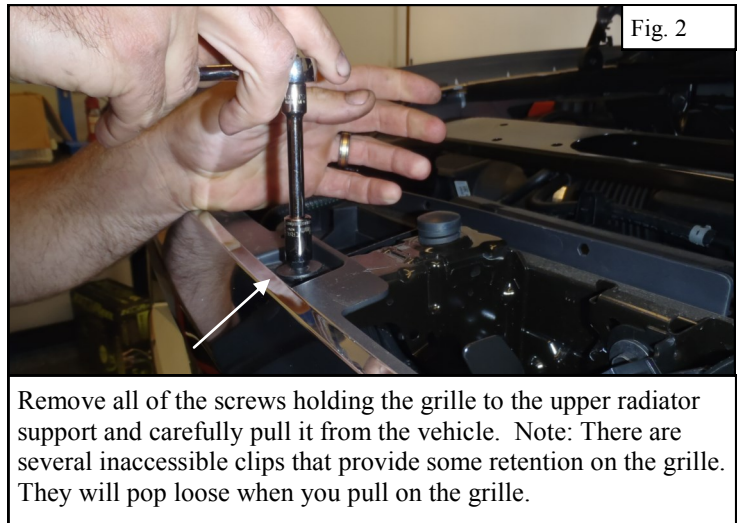


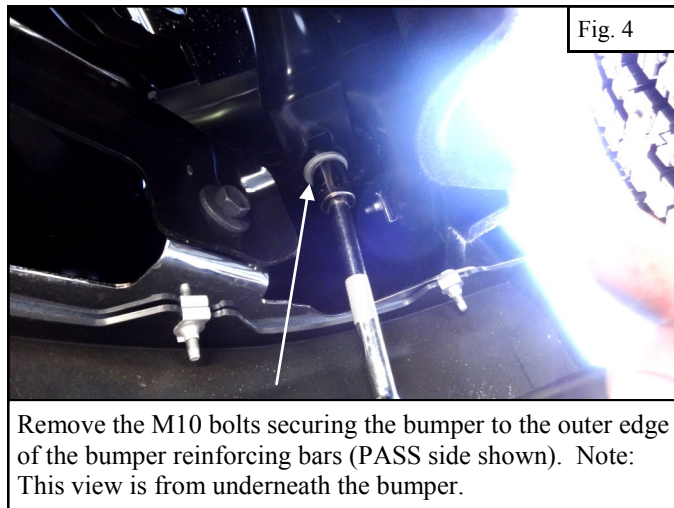
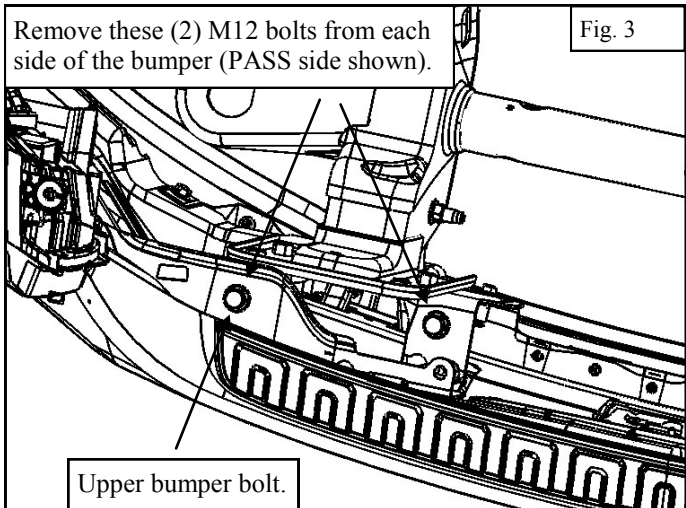
Fig. 2

Remove all of the screws holding the grille to the upper radiator support and carefully pull it from the vehicle. Note: There are several inaccessible clips that provide some retention on the grille. They will pop loose when you pull on the grille.

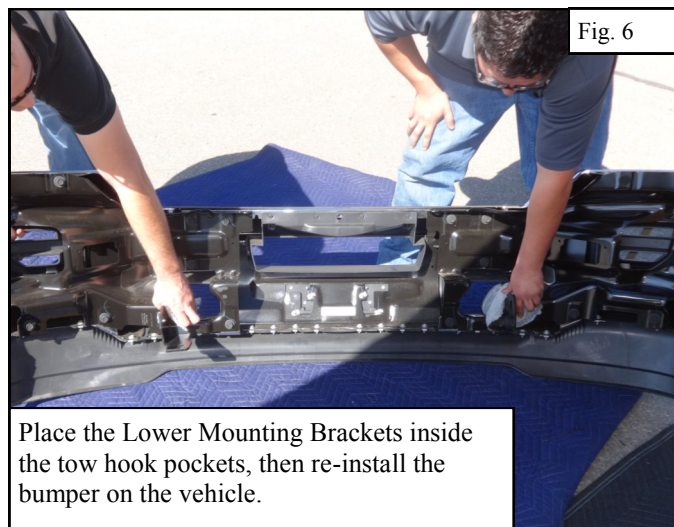
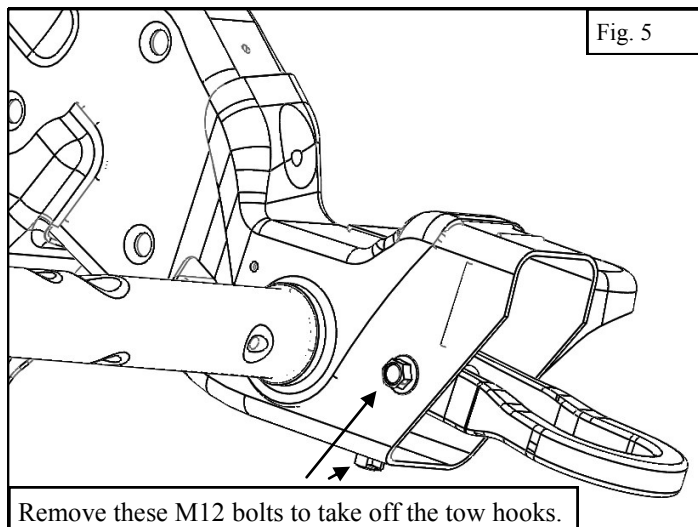


Westin Automotive Products, Inc.  
320 Covina Blvd  
San Dimas, Ca. 91773

Thank You for choosing Westin products  
For Additional installation assistance please call  
Customer service (800) 793-7846  
www.westinautomotive.com



6. Remove the vehicle's tow hooks as shown in Figure 5.
7. With the front bumper still removed from the vehicle, loosely place the Lower Mounting Brackets inside the tow hook pockets of the bumper as shown in Figure 6, then re-install it on the vehicle in the reverse order that it was removed. Note: Leave the top bumper bolts loose. They will be removed to attach the Support Straps.

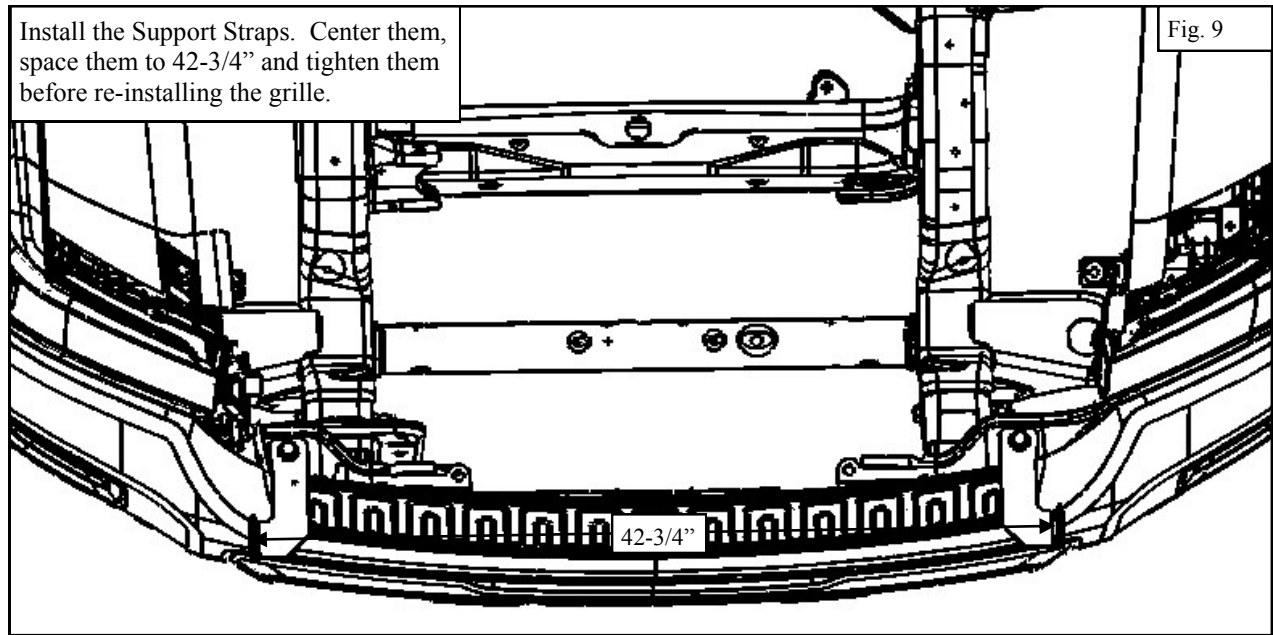
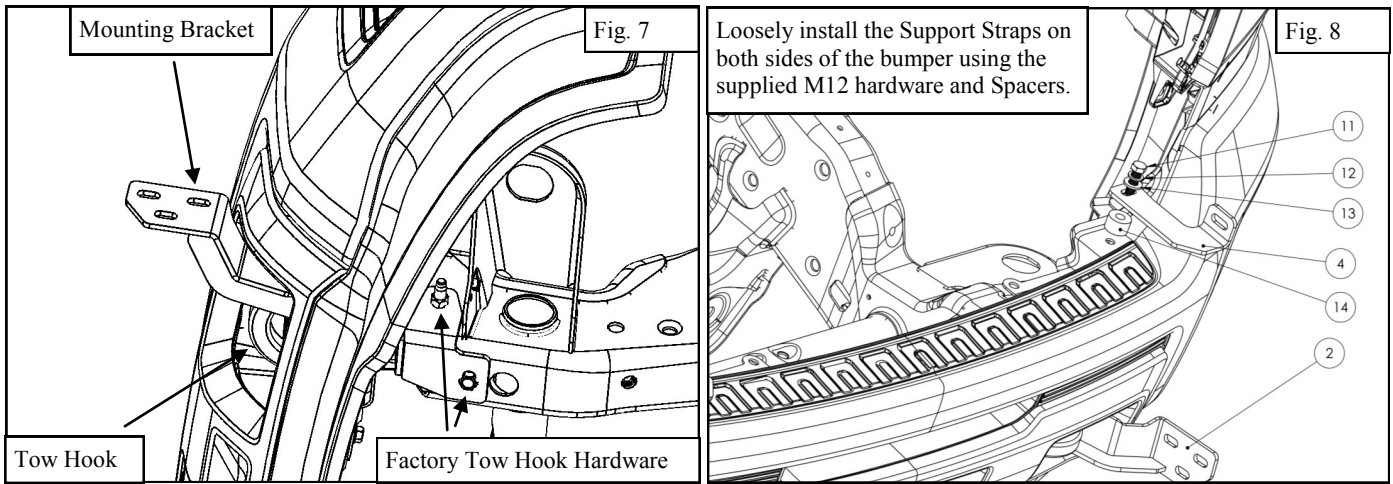


8. Loosely re-install the factory tow hooks by pushing the factory hardware through the Lower Mounting Brackets. Refer to Figure 7. Note: If the factory tow hooks are not available or not desired then the Lower Mounting Brackets may be installed using the supplied M12 Flange Bolts and M12 Flange Nuts.
9. Remove the upper factory bumper bolts. They will not be re-used.
10. Install the Support Straps using the supplied Spacers, M12 Hex Bolts, Flat Washers and Lock Washers. Refer to Figure 8.
11. Center the Support Straps, adjust them to 42-3/4" from outer flange to outer flange and tighten and torque them to 50-55 ft-lbs. Refer to Figure 9.



Westin Automotive Products, Inc.  
320 Covina Blvd  
San Dimas, Ca. 91773

Thank You for choosing Westin products  
For Additional installation assistance please call  
Customer service (800) 793-7846  
www.westinautomotive.com



12. Reinstall the vehicle's grille and radiator cover in the reverse order that they were removed.
13. With assistance line up the Grille Guard with the mounting bracket holes and loosely attach it with the supplied M10 Hardware. Refer to Figure 10.
14. Align and adjust the Grille Guard as necessary, then tighten and torque all remaining fasteners as follows: M10 to 30-35 ft-lbs.; M12 to 50-55 ft-lbs.

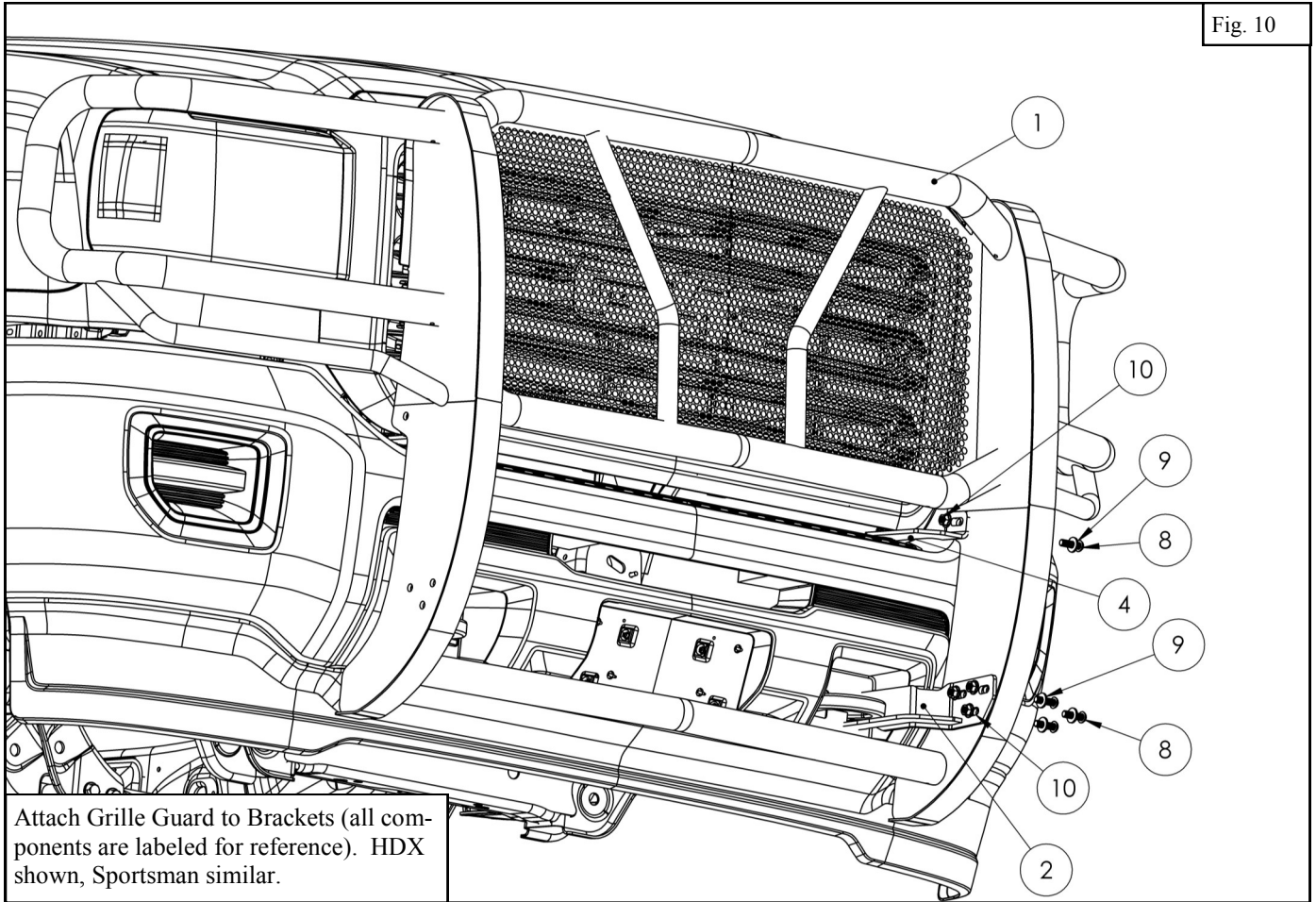


Westin Automotive Products, Inc.  
320 Covina Blvd  
San Dimas, Ca. 91773

Thank You for choosing Westin products  
For Additional installation assistance please call  
Customer service (800) 793-7846  
www.westinautomotive.com



Fig. 10



SPORTSMAN GRILLE GUARD, INSTALLATION COMPLETE



HDX GRILLE GUARD, INSTALLATION COMPLETE



CARE INSTRUCTIONS

- REGULAR WAXING IS RECOMMENDED. DO NOT USE ANY TYPE OF POLISH OR WAX THAT MAY CONTAIN ABRASIVES.
- STAINLESS STEEL PRODUCTS CAN BE CLEANED WITH MILD SOAP AND WATER. STAINLESS STEEL POLISH SHOULD BE USED TO POLISH SMALL SCRATCHES.
- GLOSS BLACK FINISHES SHOULD BE CLEANED WITH MILD SOAP AND WATER.



Westin Automotive Products, Inc.  
 320 Covina Blvd  
 San Dimas, Ca. 91773

Thank You for choosing Westin products  
 For Additional installation assistance please call  
 Customer service (800) 793-7846  
[www.westinautomotive.com](http://www.westinautomotive.com)