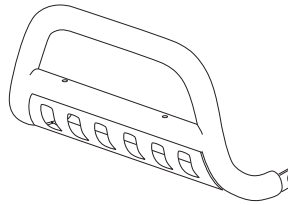




INSTALLATION INSTRUCTIONS

APPLICATION: 99-07 CHEVY/GMC Silverado/Sierra "Classic" 1500LD;
00-06 Suburban/Tahoe/Yukon/XL;
02-06 Avalanche - 1500 1/2 ton models

AUTOMOTIVE PRODUCTS, INC.



BULL BAR ASSEMBLY

31-5170

ITEM	QTY	CONTENTS	TOOLS
1	1	BULL BAR ASSEMBLY	3/4" SOCKET
2	2	BRACKETS - PASSENGER/DRIVER SIDE	9/16" SOCKET
3	2	BOLT PLATES	18MM SOCKET
4	8	M12 FLAT WASHER	3/4" WRENCH
5	4	M12 LOCK WASHER	9/16" WRENCH
6	4	3/8-16 X 1.25" HEX HEAD BOLT	RATCHET
7	8	3/8" FLAT WASHER	TORQUE WRENCH
8	4	3/8" LOCK WASHER	
9	4	3/8-16 HEX NUT	
10	2	M12-1.75 X 40MM HEX HEAD BOLT	
11	4	M12-1.75 HEX NUT	

PRODUCT INSTALLATION:

1. Verify all parts & hardware are present. Please read Instruction Sheets before installing. No drilling required.
2. Determine passenger and driver brackets. From underneath vehicle, remove tow hooks. Insert bolt plates through large holes and M12-1.75 x 40mm hex head bolts through small holes in bottom frame locations. **SEE FIGURE 1.**
3. Attach brackets to frame using 1/2" fasteners as shown. Leave loose.
NOTE: For vehicles without tow hooks a small opening may need to be cut-out in the two inside indents of the airdam using a utility knife. **SEE FIGURE 2**
4. Attach Bull Bar to brackets using 3/8" fasteners as shown. **NOTE:** 1999-02 models use front and middle holes on the hoop mounting brackets. 2003-UP models use middle and rear holes. **SEE FIGURE 1**
5. Level and adjust Bull Bar as desired. Torque 1/2" fasteners to 65 ft/lbs and 3/8" fasteners to 30 ft/lbs.

OPTIONAL LIGHT INSTALLATION Insert the threaded stud on base of the light through hole in cross tube. Using a ratchet, extension and socket for correct size of nut supplied, insert through large clearance hole in bottom of cross tube. Thread nut and washers on stud and tighten. **NOTE:** A short socket, not a deep-socket, works best to get the nut started. If not installing lights, plug mount holes with rubber caps provided.

NOTE: It may be necessary to remove/relocate front license plate and license plate bracket. It is not required, but strongly recommended. If local/state laws requires a license plate, license plate relocation kit 32-0055 is available.

PRODUCT CARE:

Westin products have a high quality finish that must be cared for like any other exposed finish on the vehicle. Protect the finish with a non-abrasive automotive wax, (e.g. Pure Carnauba) on a regular basis. The use of any soap, polish or wax that contains an abrasive is detrimental, as the compounds scratch the finish and open it to corrosion.

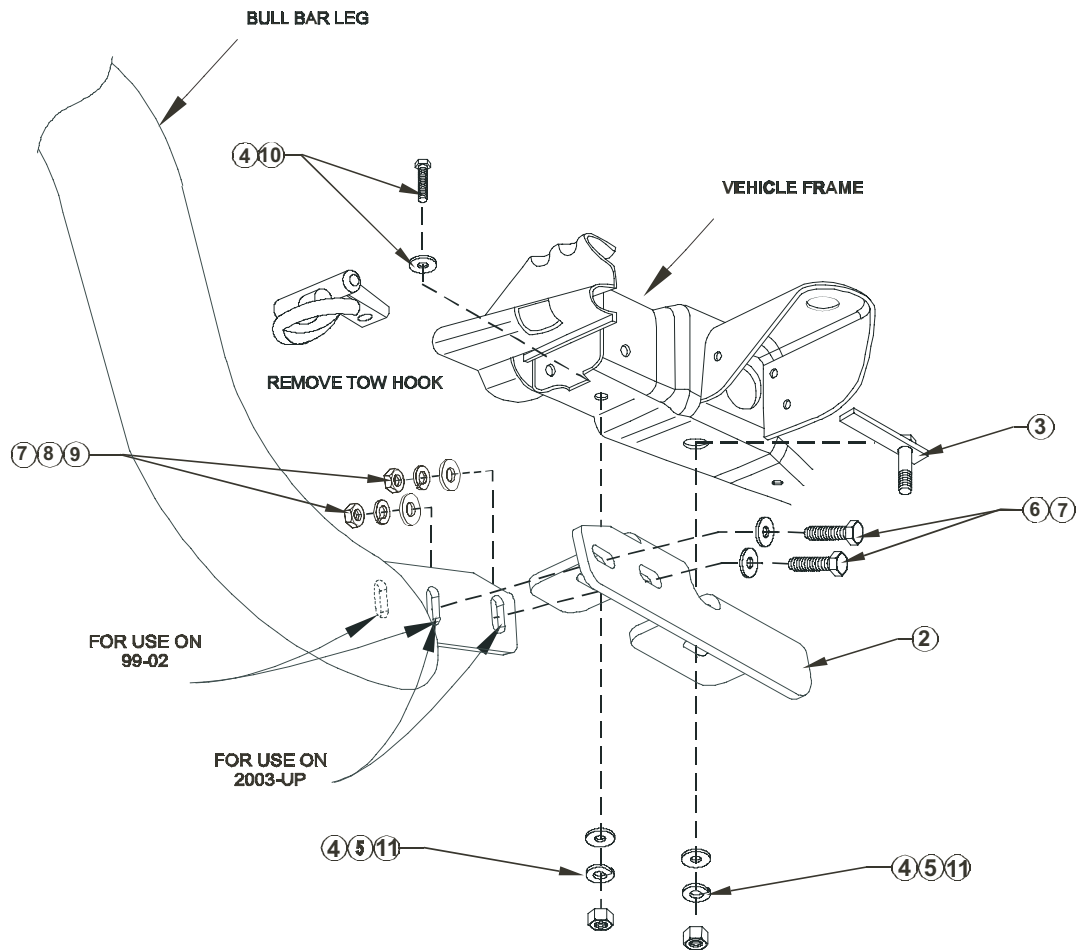


FIGURE 1 DRIVER SIDE INSTALLATION SHOWN, PASSENGER SIDE OPPOSITE

