

INSTALLATION INSTRUCTIONS

STEP BOARD MOUNT KIT



APPLICATION:

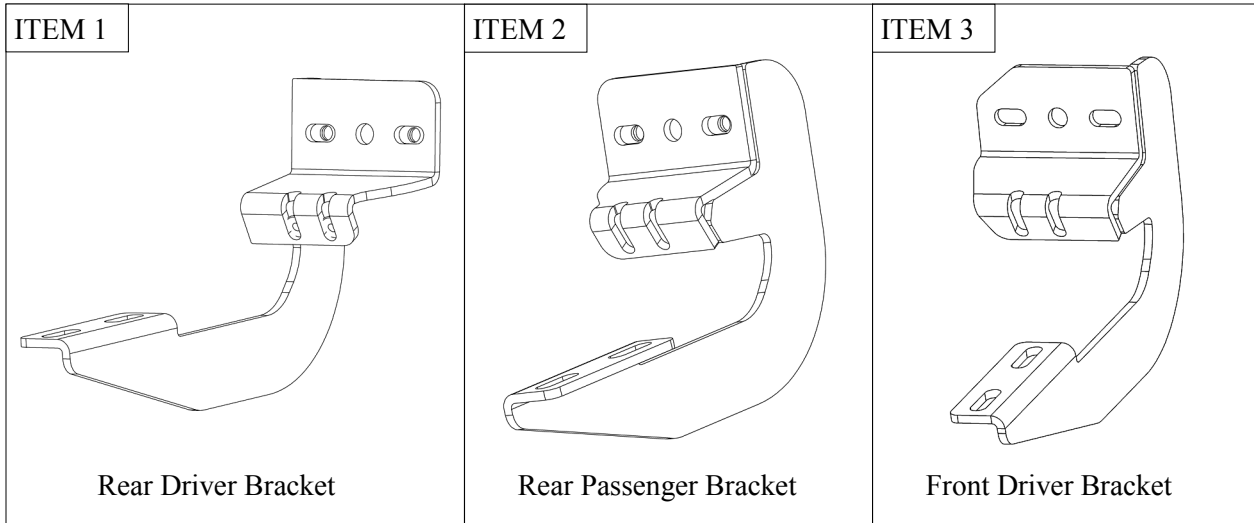
2009-2018 Ram 1500 Quad/Crew Cab, 2019 Ram Classic Quad/
Crew Cab, 2010-2019 Ram 2500/3500 Crew Cab

PART NUMBER:

27-1905

ITEM	QUANTITY	DESCRIPTION	TOOLS NEEDED
1	1	REAR DRIVER BRACKET	13MM SOCKET
2	1	REAR PASSENGER BRACKET	4MM ALLEN KEY
3	1	FRONT DRIVER BRACKET	DRILL
4	1	FRONT PASSENGER BRACKET	1/4" DRILL BIT
5	12	M8 HEX HEAD BOLT (YELLOW ZINC)	RATCHET
6	24	M8 FLAT WASHER (YELLOW ZINC)	TORQUE WRENCH
7	12	M8 SPLIT LOCK WASHER (YELLOW ZINC)	
8	12	M8 RIV-CERTS (YELLOW ZINC)	
9	12	M8 SQUARE HEAD BOLT (YELLOW ZINC)	
10	12	M8 NYLON LOCK NUT (YELLOW ZINC)	
11	12	M6 BUTTON HEAD BOLTS (BLACK ZINC)	
12	12	M6 FLAT WASHERS (BLACK ZINC)	
13	12	M6 SERRATED FLANGE NUT (BLACK ZINC)	
14	1	CENTER DRIVER BRACKET	
15	1	CENTER PASSENGER BRACKET	

ANTI-SEIZE LUBRICANT MUST BE USED ON ALL STAINLESS STEEL FASTENERS TO PREVENT THREAD DAMAGE AND GALLING



Rear Driver Bracket

Rear Passenger Bracket

Front Driver Bracket

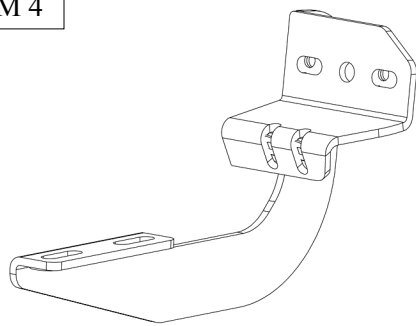
PROCEDURE

1. Remove contents from box, verify if all parts listed are present and free from damage.

Carefully read and understand all instructions before attempting installation.

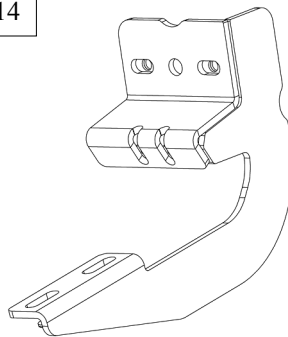
Failure to identify damage before installation could lead to a rejection of any claim.

ITEM 4



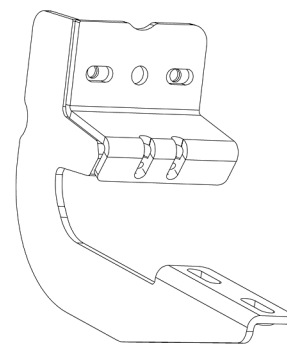
Front Passenger Bracket

ITEM 14



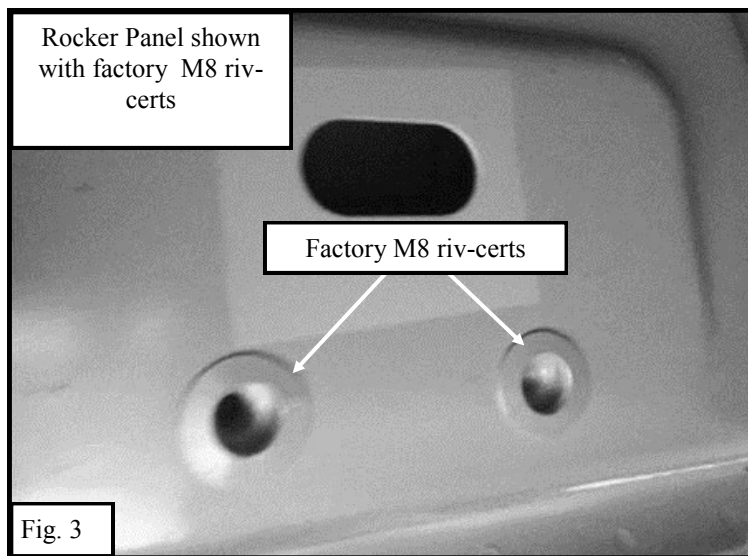
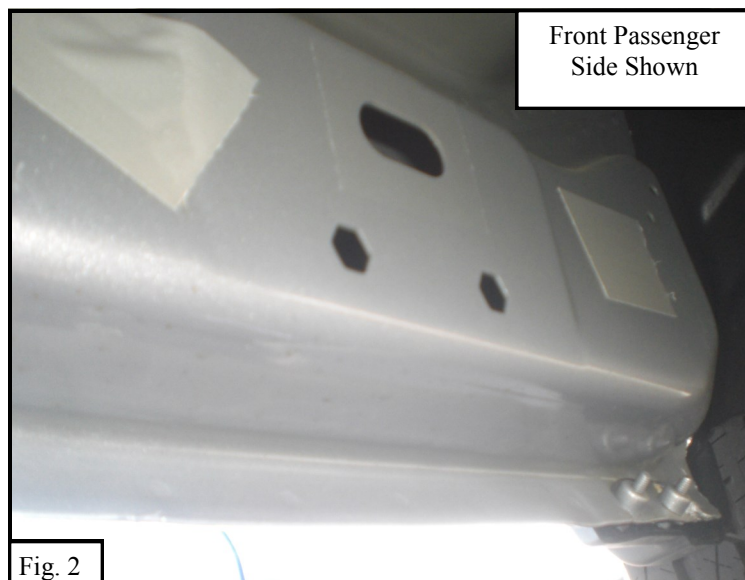
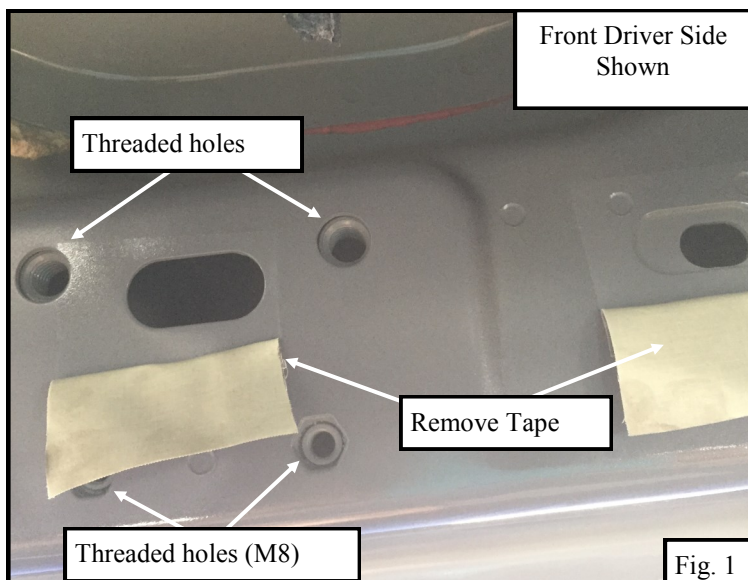
Center Driver Bracket

ITEM 15



Center Passenger Bracket

2. Check both sides of the vehicle's rocker panels, locate the factory holes in the rocker panel by removing the tape. Check and verify what type of rocker panel is present. **See Figures 1 & 2**
3. If any of the locations on the factory holes in the rocker panel have factory M8 riv-certs or threaded M8 holes, **do not** use provided M8 riv-certs (8) in that location. **See Figures 1 & 3**

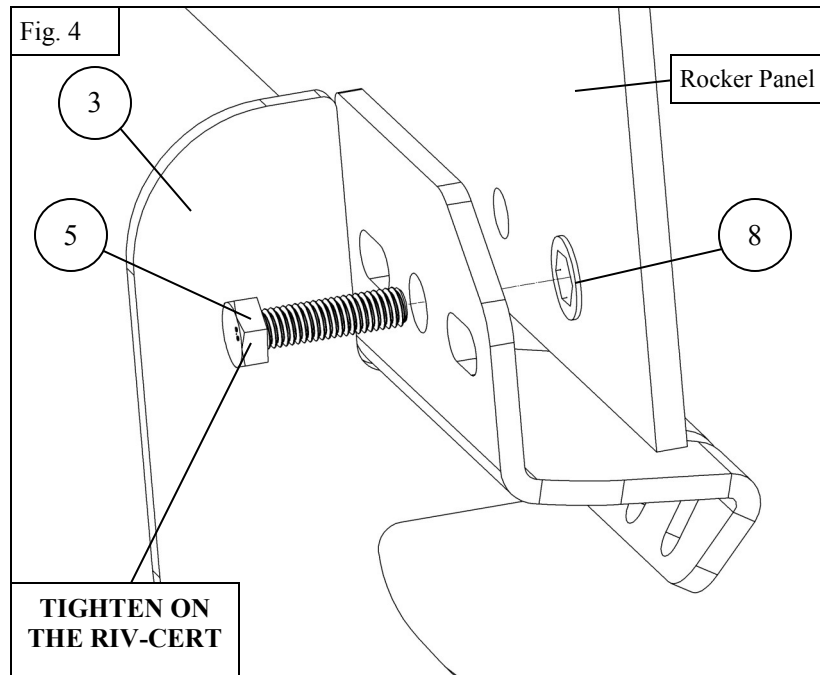


RIV-CERT INSTALLATION

4. **Starting from the front driver side:** If the threaded holes are not present, use two M8 riv-certs (8) and insert them into the hex holes.
5. Take the front driver bracket and a M8 Bolt. Using the center hole as a guide, tighten the M8 bolt into each supplied riv-cert (8) to a snug fit. **See Figure 4**
6. Remove the M8 bolt and bracket. Repeat this process on the other driver side riv-certs.

Note: This procedure presses in the riv-certs and will permanently install them onto your vehicle.

*Note 2: The center hole on all brackets will **not** be used again, M8 bolts are re-used on all brackets.*

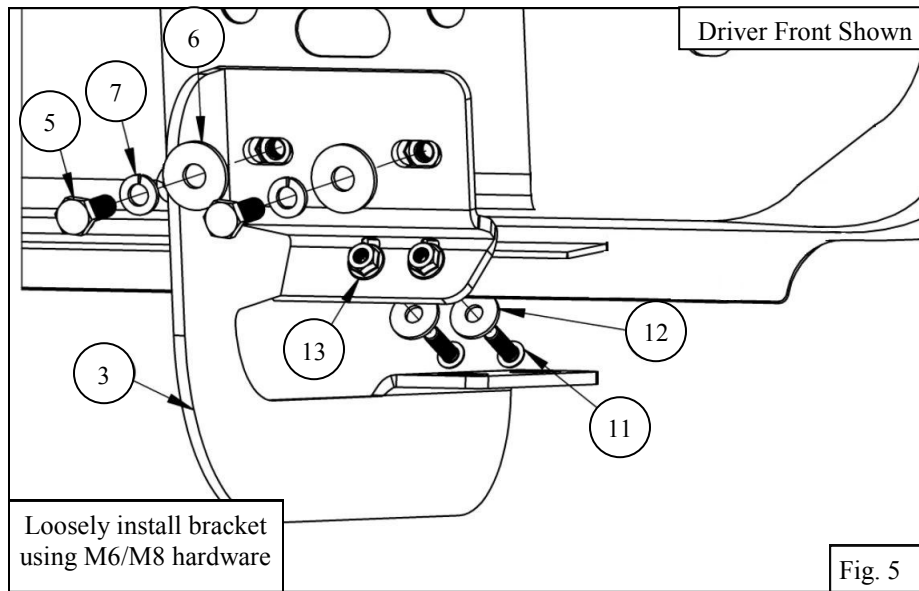


7. Repeat the riv-cert installation process (steps 4-6) on the passenger side.

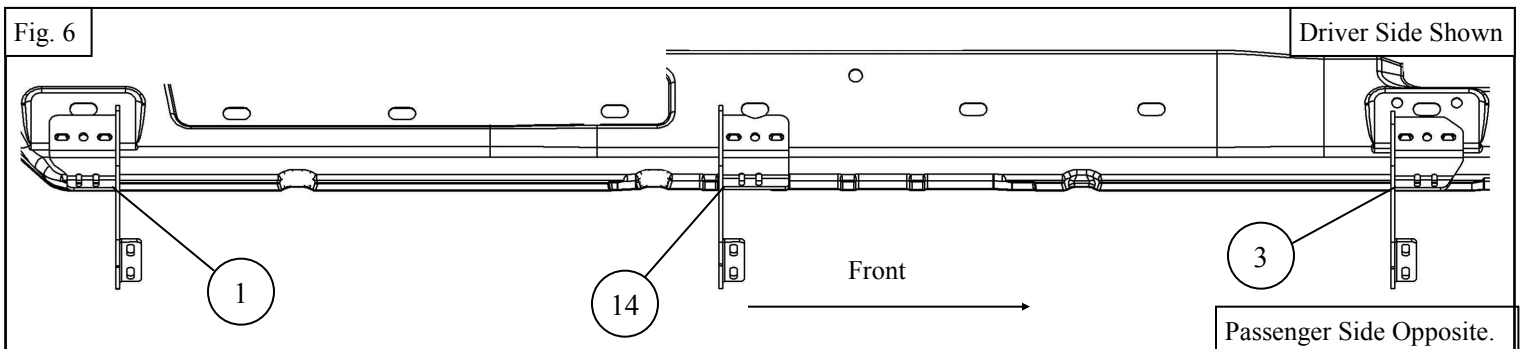
WESTIN

Westin Automotive Products, Inc.
320 W. Covina Blvd
San Dimas, Ca. 91773

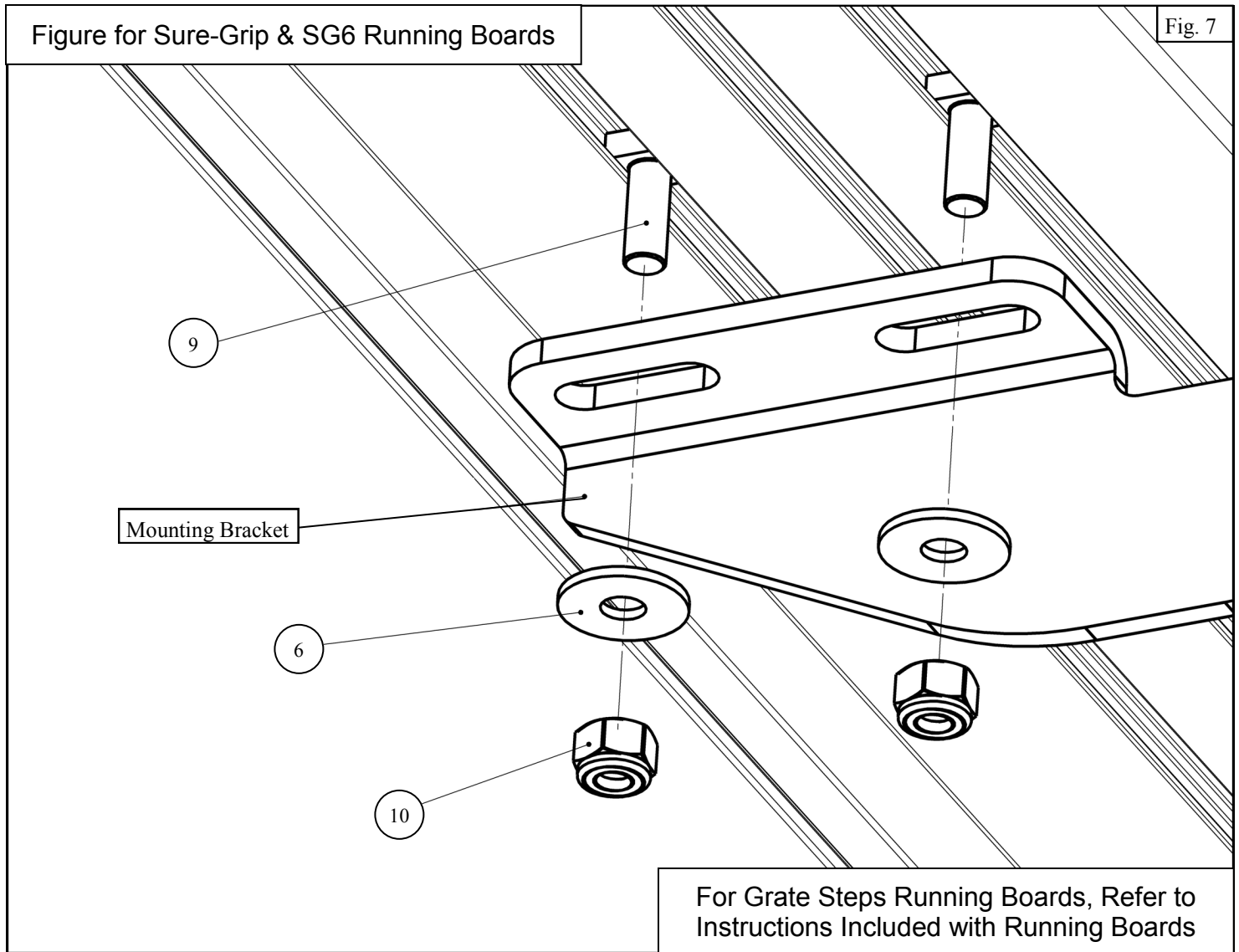
8. Proceed to loosely install the Drivers side front bracket (3) onto the rocker panel by using the supplied M8 hardware (5-7). **See Figures 5 & 6.**
9. For the pinch weld, attach bracket using supplied M6 hardware. **See Figure 5.**
Note: Drilling of two 1/4" holes might be necessary on pinch weld if factory holes are not present.
Before drilling:
 - Bolt on bracket using the M8 hardware first and snug it up. Use this as a guide for drilling holes.
 - Place masking tape on drill surface to prevent paint chipping.



10. Repeat this process on the driver side working your way back.
11. Move to passenger front and repeat process.
Note: All Brackets mount in a similar way. **See Figure 6** for bracket orientation.



12. Fasten running boards respectively to either side using the M8 hardware (items 6, 9, 10). See **Figure 7**.
Note 1: Running boards sold separately.
Note 2: For Grate Steps Running Boards, refer to the installation instructions included with the running boards.
13. Align and adjust the step bars as needed then fully tighten all hardware at this time. Torque all M6 fasteners to 10-15 ft-lbs and M8 to 20 ft-lbs.



INSTALLATION COMPLETE



CARE INSTRUCTIONS

- REGULAR WAXING IS RECOMMENDED. DO NOT USE ANY TYPE OF POLISH OR WAX THAT MAY CONTAIN ABRASIVES.
- STAINLESS STEEL PRODUCTS CAN BE CLEANED WITH MILD SOAP AND WATER. STAINLESS STEEL POLISH SHOULD BE USED TO POLISH SMALL SCRATCHES.
- GLOSS BLACK FINISHES SHOULD BE CLEANED WITH MILD SOAP AND WATER.

WESTIN

Westin Automotive Products, Inc.
320 W. Covina Blvd
San Dimas, Ca. 91773

Thank you for choosing Westin products
for additional installation assistance please call
Customer Service (800) 793-7846

www.westinautomotive.com



WARNING



Failure to follow these instructions could lead to death, personal injury, and / or property damage.

Failure to follow these instructions could lead to death, personal injury, and / or property damage.

FASTENERS:

All Westin supplied fasteners must be utilized and installed in accordance with the installation instructions and apply torque to the specifications as defined. **DOUBLE CHECK ALL FASTENERS BEFORE INITIAL USE, AND PERIODICALLY IN THE FUTURE TO ENSURE PROPER FUNCTION AND SAFETY.**

DRILLING:

Most Westin products do not require drilling for installation. If drilling is defined as required, use caution when drilling a vehicle. **FAILURE TO REVIEW AN AREA TO BE DRILLED MAY RESULT IN PERSONAL INJURY AND/OR INJURY TO OTHERS AS WELL AS VEHICLE DAMAGE.**

EYE PROTECTION:

ALWAYS WEAR SAFETY GLASSES OR GOGGLES DURING THE INSTALLATION PROCESS TO AVOID PERSONAL INJURY.

MAXIMUM TOWING/CARRYING CAPACITY: (if applicable)

The Westin Receiver Hitches will have a visible tow rating label affixed directly on the product. User should never exceed the vehicle manufacturers maximum tow and weight rating regardless of the capacity of the hitch. **FAILURE TO FOLLOW THESE GUIDELINES WILL VOID THE WESTIN WARRANTY AND MAY RESULT IN PERSONAL INJURY AND/OR INJURY TO OTHERS AS WELL AS VEHICLE DAMAGE.**

FOR CALIFORNIA RESIDENTS ONLY-PROP 65 WARNING:

Some products may contain chemicals such as DEHP, which can cause cancer, birth defects or other reproductive harm. For more info go to www.p65warnings.ca.gov



Westin Automotive Products, Inc.
320 W. Covina Blvd
San Dimas, Ca. 91773