



AUTOMOTIVE PRODUCTS,

INSTALLATION INSTRUCTIONS

SENSOR RELOCATOR

APPLICATION:

- 2014-2017 Chevy/GMC Silverado/Sierra 1500
- 2015-2017 Chevy/GMC Silverado/Sierra 2500/3500
- 2015-2017 Chevy/GMC Tahoe/Yukon/Suburban

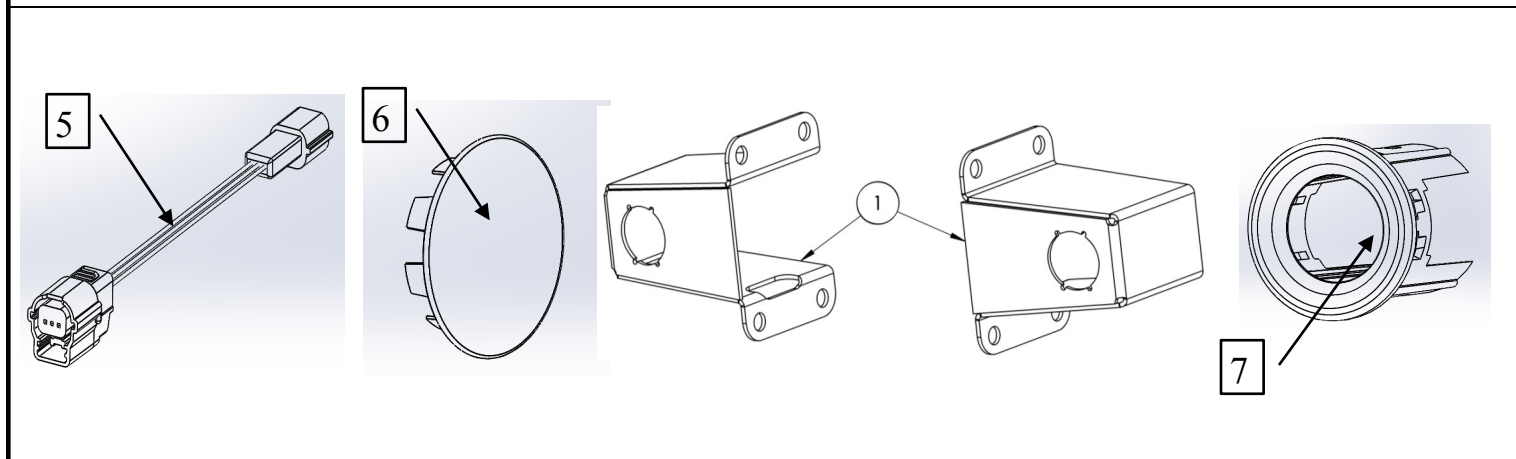
PART NUMBER:

45-0000S, 40-0005S

(HDX Grille Guard applications require 2 sets of 2 relocators)

ITEM	QUANTITY	DESCRIPTION	TOOLS NEEDED
1	2	SENSOR POD	10MM SOCKET
2	8	M6 HEX SOCKET BUTTON HEAD SCREW	10MM WRENCH
3	8	M6 SERRATED FLANGE NUT	TORQUE WRENCH
4	8	M6 FLAT WASHER	DRILL
5	2	SENSOR HARNESS	5/16" DRILL BIT
6	2	15/16" NICKEL PLATED CAP	RATCHET
7	2	PLASTIC RETAINER	
8	2	RUBBER GROMMET	

ANTI-SEIZE LUBRICANT MUST BE USED ON ALL STAINLESS STEEL FASTENERS TO PREVENT THREAD DAMAGE AND GALLING



PROCEDURE

1. Remove contents from box, verify if all parts listed are present and free from damage. Carefully read and understand all instructions before attempting installation. **Failure to identify damage before installation could lead to a rejection of any claim.**

CARE INSTRUCTIONS

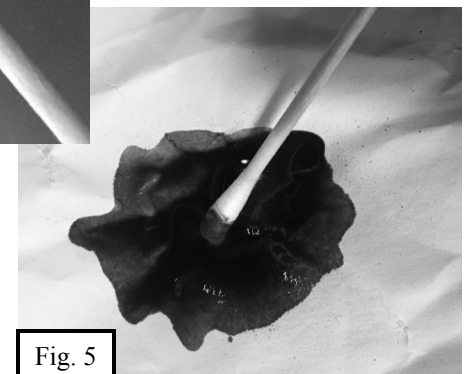
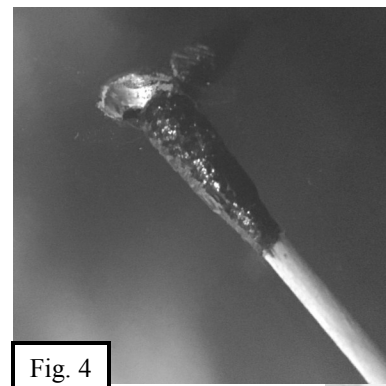
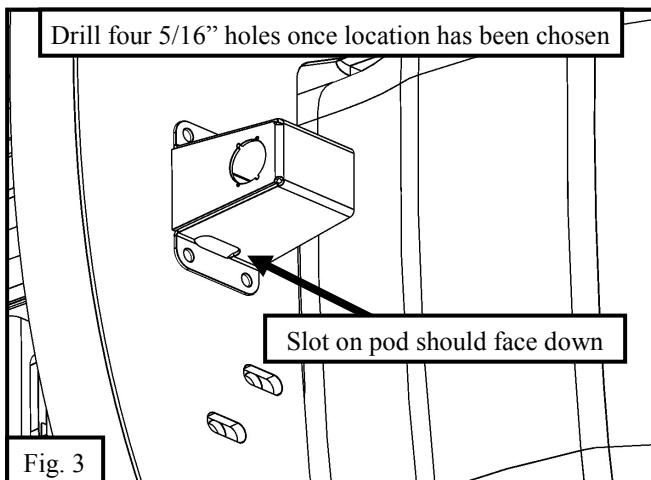
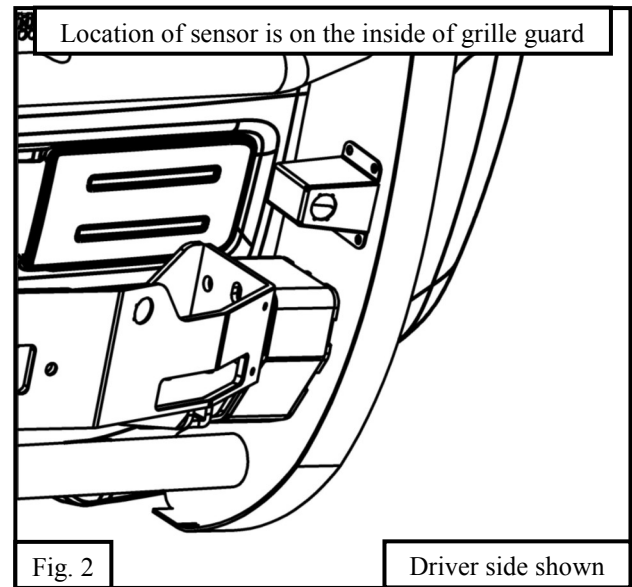
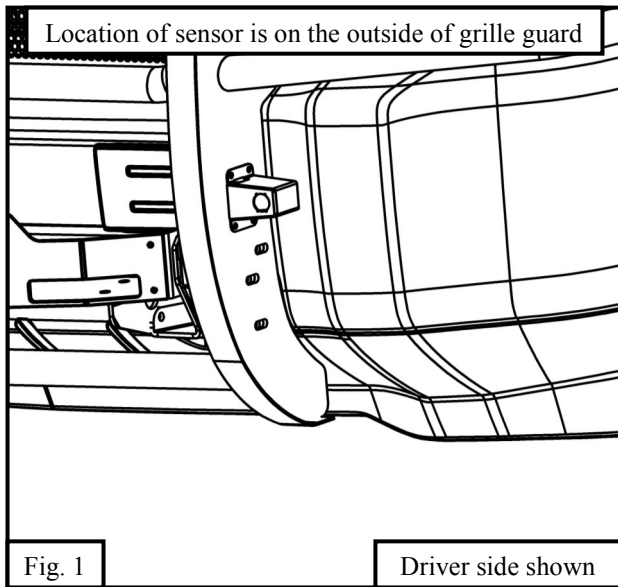
- REGULAR WAXING IS RECOMMENDED. DO NOT USE ANY TYPE OF POLISH OR WAX THAT MAY CONTAIN ABRASIVES.
- STAINLESS STEEL PRODUCTS CAN BE CLEANED WITH MILD SOAP AND WATER. STAINLESS STEEL POLISH SHOULD BE USED TO POLISH SMALL SCRATCHES.
- GLOSS BLACK FINISHES SHOULD BE CLEANED WITH MILD SOAP AND WATER.



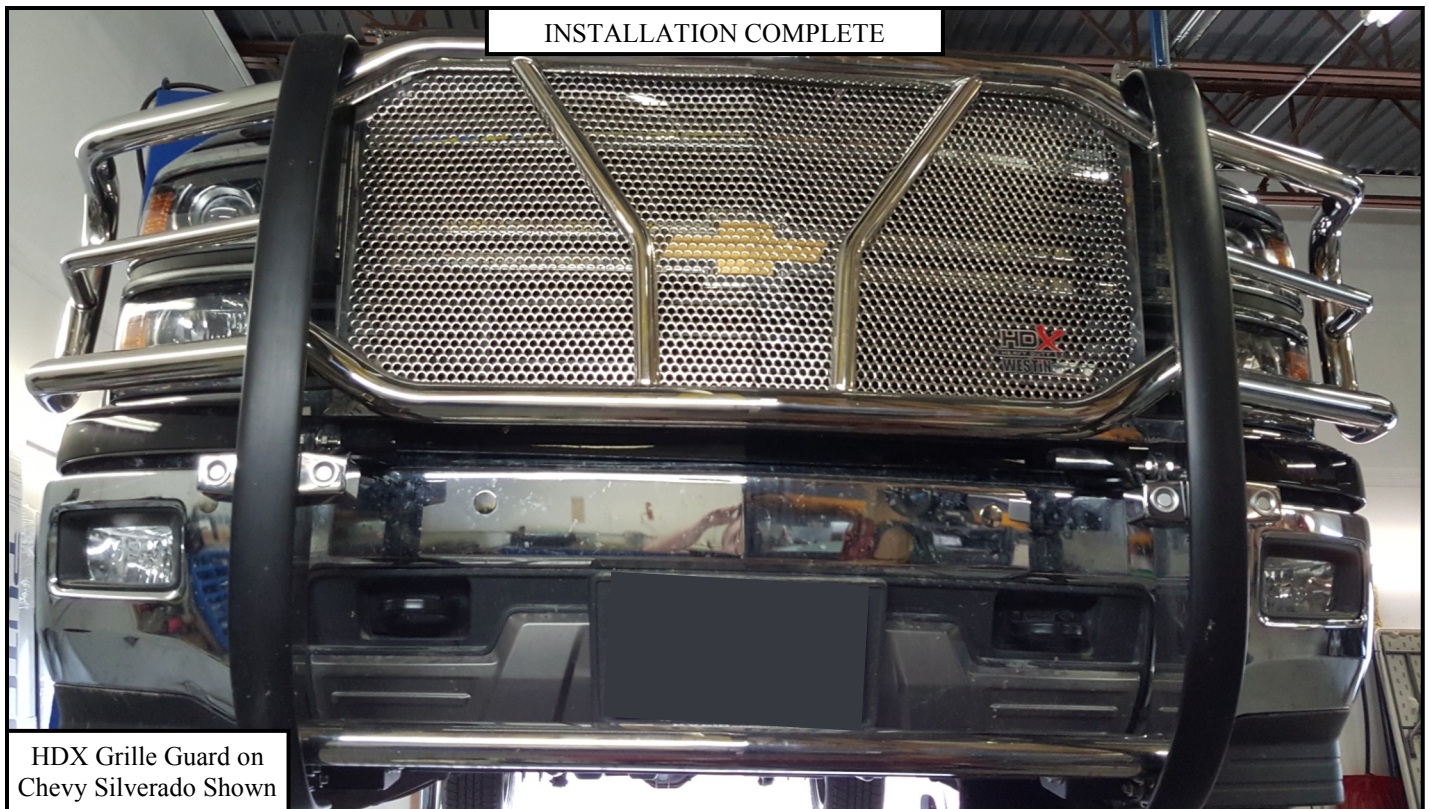
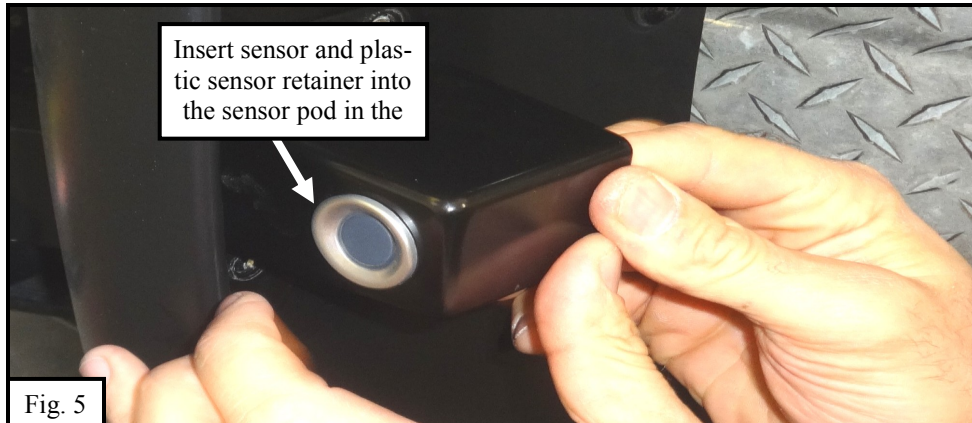
Westin Automotive Products, Inc.
320 W. Covina Blvd
San Dimas, Ca. 91773

Thank you for choosing Westin products
for additional installation assistance please call
Customer Service (800) 793-7846

2. Determine the sensors that are being blocked by the grille guard. Under the vehicle behind the front bumper, locate the wires that connect to the sensors and carefully remove them from the sensors. **Note:** Before removing sensors make sure to take note of their orientation. The sensors must be installed onto the sensor pod (Item 1) in the same orientation that the sensors were on the front bumper.
3. Locate sensor pod (Item 1) and align it up to the grille guard. Align the sensor pod on the grille guard so that the sensor pod is approximately the same height of where the sensor was located on the bumper. **See Fig. 1 & 2.** **Note:** Sensor pod slot should face down. **See Fig. 3.**
4. Once the location for the sensor pod has been chosen, drill four 5/16" holes onto the grille guard. **Note:** On black grille guards, paint holes to prevent corrosion. Use black paint and a cotton swab to dab the paint in the holes. **See Fig. 4. and 5.** For a S/S Grille Guards, touch up paint is not necessary but a cobalt drill bit is recommended.



5. Remove OEM sensor and plastic sensor retainer from the vehicle's bumper. Use the nickel plated hole plugs to cover holes on bumper. Their tabs need to be bent with a screwdriver to retain them. You may spray paint them any color you desire.
6. You may also use rubber grommets on holes on bumper and route harness through it.
7. Loosely mount the sensor pod onto the grille guard using the provided M6 hardware.
8. Insert the sensor and plastic sensor retainer (Item 7) into the sensor pod in the same orientation that the sensor was on the bumper. **See Fig. 5.** Using extension harness included in kit (Item 5) safely reconnect the sensor.
9. Repeat steps for other sensors to be relocated.
10. Align and adjust the sensor pods as necessary and then tighten M6 hardware to 10 ft-lbs.



Westin Automotive Products, Inc.
320 W. Covina Blvd
San Dimas, Ca. 91773

Thank you for choosing Westin products
for additional installation assistance please call
Customer Service (800) 793-7846

Westin

SIGNATURE OF QUALITY

AUTOMOTIVE PRODUCTS, INC.



WARNING



Failure to follow these instructions could lead to death, personal injury, and / or property damage.

FASTENERS:

All Westin supplied fasteners must be utilized and installed in accordance with the installation instructions and apply torque to the specifications as defined. **DOUBLE CHECK ALL FASTENERS BEFORE INITIAL USE, AND PERIODICALLY IN THE FUTURE TO ENSURE PROPER FUNCTION AND SAFETY.**

DRILLING:

Most Westin products do not require drilling for installation. If drilling is defined as required, use caution when drilling a vehicle. **FAILURE TO REVIEW AN AREA TO BE DRILLED MAY RESULT IN PERSONAL INJURY AND/OR INJURY TO OTHERS AS WELL AS VEHICLE DAMAGE.**

EYE PROTECTION:

ALWAYS WEAR SAFETY GLASSES OR GOGGLES DURING THE INSTALLATION PROCESS TO AVOID PERSONAL INJURY.

MAXIMUM TOWING/CARRYING CAPACITY:

The Westin Receiver Hitches will have a visible tow rating label affixed directly on the product. User should never exceed the vehicle manufacturers maximum tow and weight rating regardless of the capacity of the hitch. **FAILURE TO FOLLOW THESE GUIDELINES WILL VOID THE WESTIN WARRANTY AND MAY RESULT IN PERSONAL INJURY AND/OR INJURY TO OTHERS AS WELL AS VEHICLE DAMAGE.**

Westin
SIGNATURE OF QUALITY

Westin Automotive Products, Inc.
320 W. Covina Blvd
San Dimas, Ca. 91773