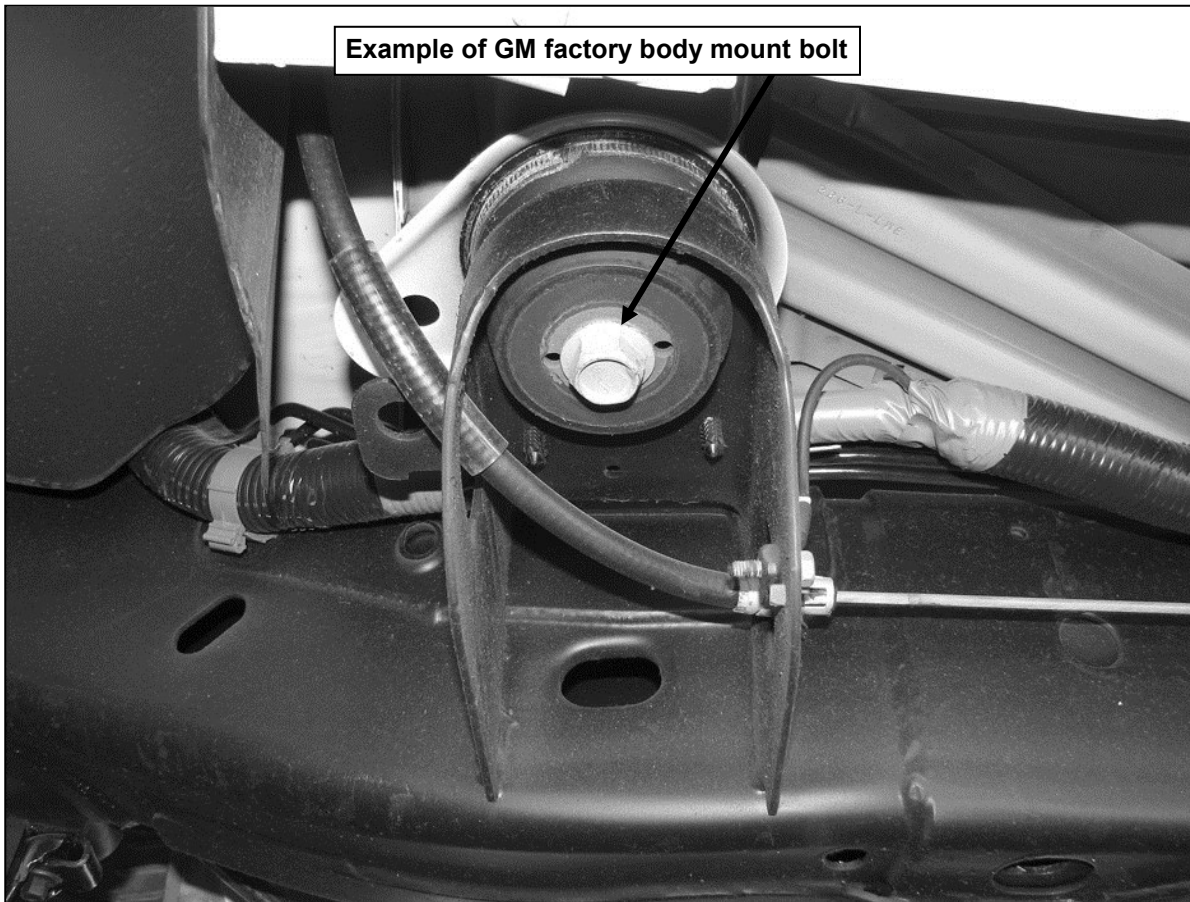


IMPORTANT ALERT: GM uses a very strong thread-locking compound on all body bolts. Use of an air assisted impact ratchet can cause damage to the threads on factory body mount bolts and the internal nut assembly because of this thread locking compound.

We only recommend the use of hand tools to slowly remove and reinstall body mount bolts on all GM vehicles.

PROCEDURE:

CRITICAL INFORMATION: If during the removal process, it becomes increasingly difficult to unscrew the body mount bolt with hand tools, tighten the bolt several rotations to clear the thread locking compound from the threads, then reverse direction and continue to unscrew until the body mount bolt is out. Repeat this process as necessary on all GM body mount bolts. Use of an appropriate anti-seize compound is highly recommended for re-installation. Tighten body mount bolt to factory torque specifications for your particular model year.



Example of GM factory body mount bolt



Westin Automotive Products, Inc.
320 W. Covina Blvd
San Dimas, Ca. 91773

Thank you for choosing Westin products
for additional installation assistance please call
Customer Service (800) 793-7846

www.westinautomotive.com

INSTALLATION INSTRUCTIONS

PRO TRAXX 6 OVAL STEP BARS

APPLICATION:

1999-2013 Chevrolet Silverado / GMC Sierra 1500 Extended Cab

2001-2014 Chevrolet Silverado / GMC Sierra 2500/3500 HD

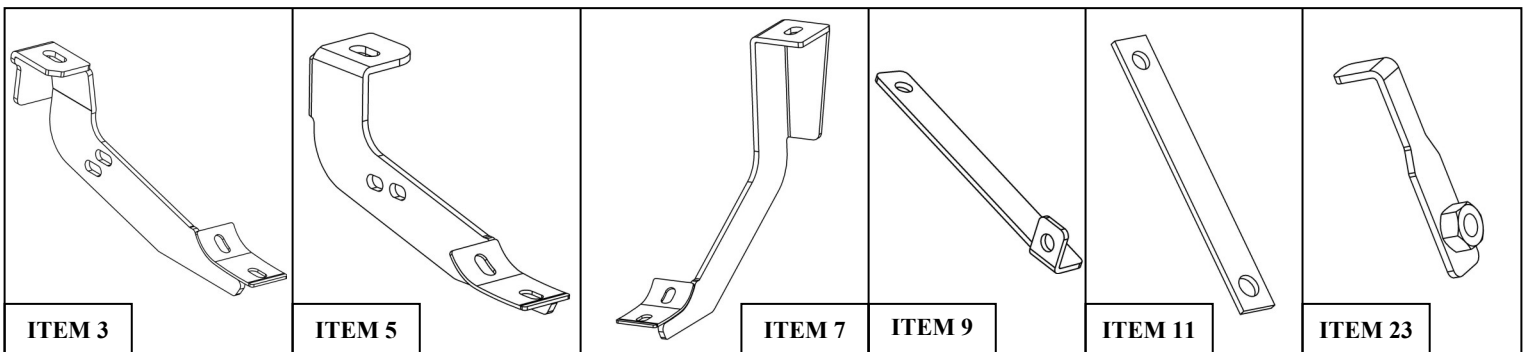
PART NUMBER:

21-61680, 21-61685



ITEM	QUANTITY	DESCRIPTION	TOOLS NEEDED
1,2	2	STEP BAR, DRIVER (1) AND PASSENGER (2)	13MM SOCKET
3,4	2	FRONT MOUNT BRACKET, DRIVER (3) AND PASSENGER (4)	16MM SOCKET
5,6	2	CENTER MOUNT BRACKET, DRIVER (5) AND PASSENGER (6)	16MM WRENCH
7,8	2	REAR MOUNT BRACKET, DRIVER (7) AND PASSENGER (8)	18MM SOCKET
9,10	2	FRONT SUPPORT BRACKET, DRIVER (9) AND PASSENGER (10)	18MM WRENCH
11	2	CENTER SUPPORT BRACKETS	RATCHET
12	10	M10 FLAT WASHER (YELLOW ZINC)	TORQUE WRENCH
13	6	M10 SPLIT LOCK WASHER (YELLOW ZINC)	
14	4	M10 HEX NUT (YELLOW ZINC)	
15	6	M10 HEX HEAD BOLT (YELLOW ZINC)	
16	2	M12 SPLIT LOCK WASHER (YELLOW ZINC)	
17	4	M12 FLAT WASHER (YELLOW ZINC)	
18	2	M12 HEX NUT (YELLOW ZINC)	
19	2	M12 HEX HEAD BOLT (YELLOW ZINC)	
20	12	M8 SPLIT LOCK WASHER (BLACK ZINC)	
21	12	M8 FLAT WASHER (BLACK ZINC)	
22	12	M8 HEX HEAD BOLT (BLACK ZINC)	
23	2	M10 NUT PLATE (YELLOW ZINC)	

ANTI-SEIZE LUBRICANT MUST BE USED ON ALL STAINLESS STEEL FASTENERS TO PREVENT THREAD DAMAGE AND GALLING



Care Instructions

- REGULAR WAXING IS RECOMMENDED. DO NOT USE ANY TYPE OF POLISH OR WAX THAT MAY CONTAIN ABRASIVES.
- STAINLESS STEEL PRODUCTS CAN BE CLEANED WITH MILD SOAP AND WATER. STAINLESS STEEL POLISH SHOULD BE USED TO POLISH SMALL SCRATCHES.
- GLOSS BLACK FINISHES SHOULD BE CLEANED WITH MILD SOAP AND WATER.

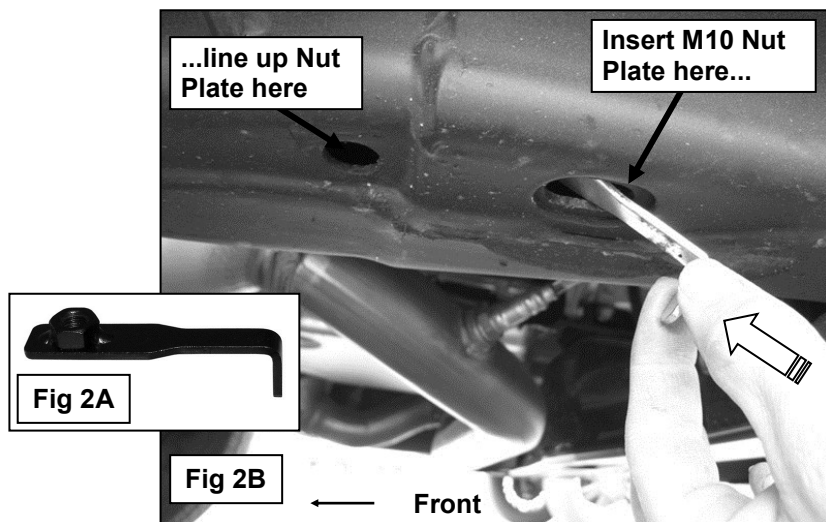
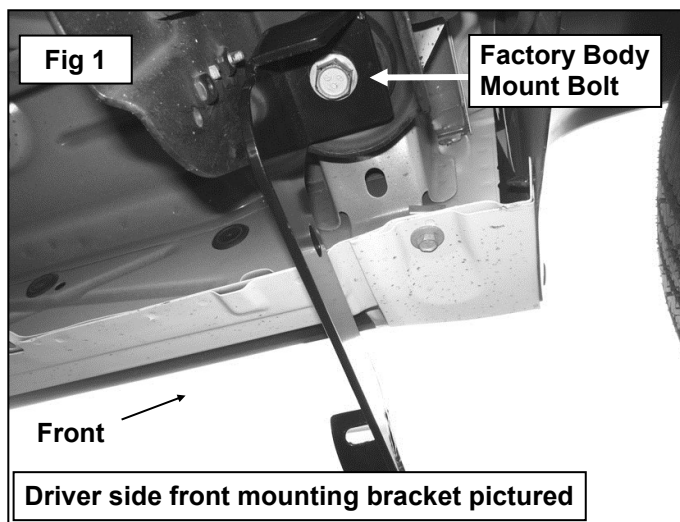
PROCEDURE

1. Remove contents from box, verify if all parts listed are present and free from damage.

Carefully read and understand all instructions before attempting installation.

Failure to identify damage before installation could lead to a rejection of any claim.

2. Start the installation under the driver side of the vehicle and remove the front, center, and rear body mount bolts. Do not remove bushings.
3. Hang the driver side front, center, and rear mount brackets from the body mounts using the factory hex bolts. See **Figure 1**. Do not tighten hardware at this time.
4. Locate the two factory holes in the bottom of the frame towards the front of the vehicle. Insert (1) M10 nut plate, (**Figure 2A**), into the oval hole and line up the threaded nut with the forward round hole (**Figure 2B**). **Note:** Nut plate and support bracket is not required on 2011 - 2012 2500/3500 models.



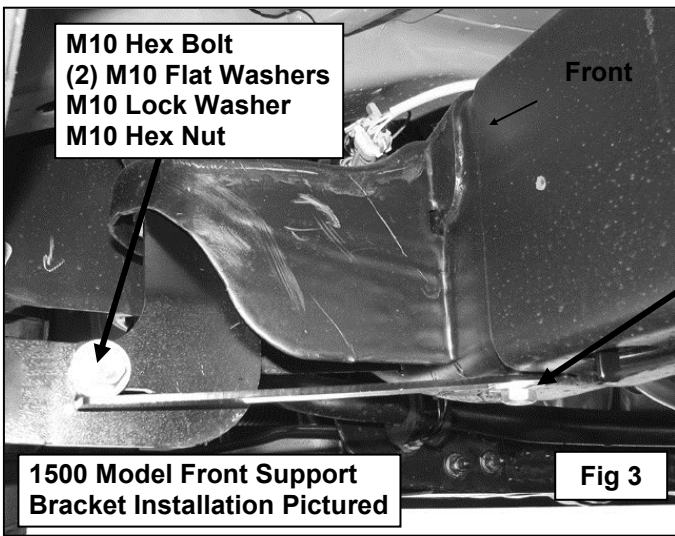
5. Attach the driver side front support bracket to the outside hole in the front mount bracket with (1) M10 hex bolt, (2) M10 flat washers, (1) M10 lock washer, and (1) M10 hex nut. See **Figures 3 & 4**. Do not tighten hardware at this time.

1500 Models:

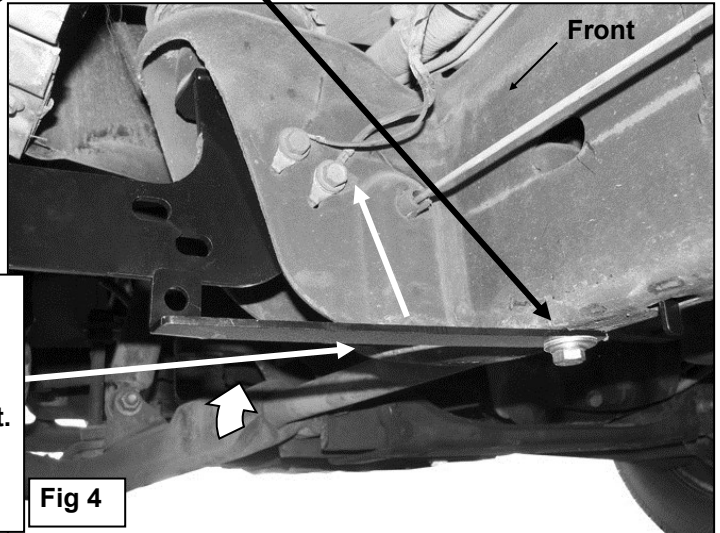
Attach the bent end of the front support bracket to the outside hole in the front mount bracket with (1) M10 hex bolt, (2) M10 flat washers, (1) M10 lock washer, and (1) M10 hex nut (**Figure 3**). Do not tighten at this time.

Up to 2010 2500/3500 Models - Support Bracket not required on 2011 - 2012 2500/3500 Models:

Note that the front support bracket will not reach up to the mount bracket (**Figures 3 & 4**). Tighten the support bracket to the nut plate in the frame. Carefully push up on the support bracket until it reaches the inside hole in the mount bracket (**Figure 4**). Bolt the support bracket to the hole in the mount bracket with (1) M10 hex bolt, (2) M10 flat washers, (1) M10 lock washer, and (1) M10 hex nut. Do not tighten at this time.



M10 Nut Plate
M10 Hex Bolt
M10 Lock Washer
M10 Flat Washer



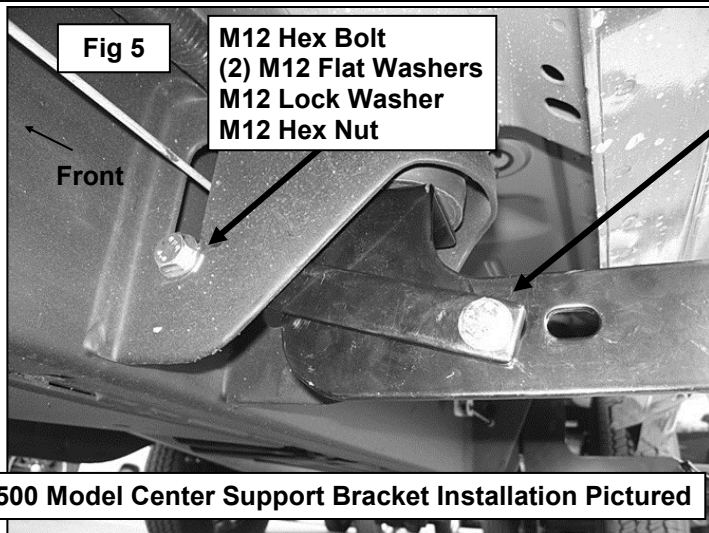
IMPORTANT NOTE: 2500/3500 Model Front Support Bracket Installation Pictured.

Bend Support Bracket up by hand to meet the inner hole in the Front Mounting Bracket.

NOTE: Support Bracket not required on 2011-2012 2500/3500 Models.

All 1500 and up to 2010 2500/3500 Models - Support Brackets not required on 2011 - 2012 2500/3500 Models:

6. Move to the center mount bracket. Select (1) center support bracket - note the tow different sizes of mounting holes in the bracket. Slide the end of the center support bracket with the larger mounting hole between the factory body mount and the center mount bracket. Attach the support bracket to the body mount using the included (1) M12 hex bolt, (2) M12 flat washers, (1) M12 lock washer, and (1) M12 hex nut (**Figures 5 & 6**). Do not tighten at this time. **Note:** Larger hole on the center support bracket mounts to body mount.
7. Attach the opposite end of the support bracket to the center mount bracket with (1) M10 hex bolt, (2) M10 flat washers, (1) M10 lock washer, and (1) M10 hex nut, (**Figures 5 & 6**). Do not tighten at this time.



M10 Hex Bolt
(2) M10 Flat Washers
M10 Lock Washer
M10 Hex Nut

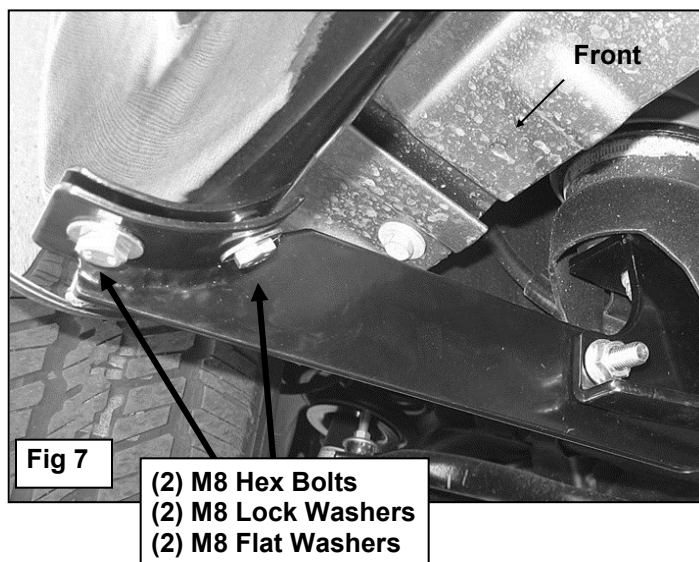
M10 Hex Bolt
(2) M10 Flat Washers
M10 Lock Washer
M10 Hex Nut



NOTE: Support Brackets not required on 2011-12 2500/3500 Models

2500/3500 Models Center Support Bracket Installation Pictured.
NOTE: Support Bracket not required on 2011 - 2012 2500/3500 Models.

8. Carefully position the driver step bar onto the mount brackets. Attach the step bar to the mount brackets with (6) M8 hex bolts, (6) M8 lock washers, and (6) M8 flat washers (**Figure 7**). Do not tighten at this time.
9. Level and adjust the step bar and tighten all hardware : M8 to 15-18 ft-lbs, M10 to 30-35 ft-lbs, and M12 to 50-55 ft-lbs.
10. Repeat steps 2-9 for passenger step bar installation.
11. Do periodic inspections to the installation to make sure that all hardware is secure and tight.





WARNING



Failure to follow these instructions could lead to death, personal injury, and / or property damage.

FASTENERS:

All Westin supplied fasteners must be utilized and installed in accordance with the installation instructions and apply torque to the specifications as defined. **DOUBLE CHECK ALL FASTENERS BEFORE INITIAL USE, AND PERIODICALLY IN THE FUTURE TO ENSURE PROPER FUNCTION AND SAFETY.**

DRILLING:

Most Westin products do not require drilling for installation. If drilling is defined as required, use caution when drilling a vehicle. **FAILURE TO REVIEW AN AREA TO BE DRILLED MAY RESULT IN PERSONAL INJURY AND/OR INJURY TO OTHERS AS WELL AS VEHICLE DAMAGE.**

EYE PROTECTION:

ALWAYS WEAR SAFETY GLASSES OR GOGGLES DURING THE INSTALLATION PROCESS TO AVOID PERSONAL INJURY.

MAXIMUM TOWING/CARRYING CAPACITY:

The Westin Receiver Hitches will have a visible tow rating label affixed directly on the product. User should never exceed the vehicle manufacturers maximum tow and weight rating regardless of the capacity of the hitch. **FAILURE TO FOLLOW THESE GUIDELINES WILL VOID THE WESTIN WARRANTY AND MAY RESULT IN PERSONAL INJURY AND/OR INJURY TO OTHERS AS WELL AS VEHICLE DAMAGE.**