



SIGNATURE OF QUALITY

AUTOMOTIVE PRODUCTS, INC.

# INSTRUCTIONS—INSTRUCCIONES—CONSIGNES

APPLICATION: 2013-UP FORD ESCAPE

APP PART # 23-3790, 23-3795

E SERIES STEP BARS

ITEM	QUANTITY	DESCRIPTION	TOOLS NEEDED
1	2	STEP BARS	18MM WRENCH
2,3	2	FRONT MOUNTING BRACKETS (2) DRIVERS SIDE, (3) PASSENGER SIDE	18MM SOCKET
4,5	2	CENTER MOUNTING BRACKETS (4) DRIVERS SIDE, (5) PASSENGER SIDE	16MM WRENCH
6,7	2	REAR MOUNTING BRACKETS (6) DRIVERS SIDE, (7) PASSENGER SIDE	16MM SOCKET
8	2	M12 X 35MM BOLT PLATE	13MM WRENCH
9	5	M10 X 30MM BUTTON HEAD BOLT PLATES	UTILITY KNIFE
10	2	M10 X 30MM LARGE T BOLTS	RATCHET
11	1	M10 X 35MM SMALL T BOLTS	TORQUE WRENCH
12	2	M12 X 32MM OD FLAT WASHERS	
13	2	M12 LOCK WASHERS	
14	2	M12 HEX NUTS	
15	8	M10 X 27MM OD FLAT WASHERS	
16	8	M10 LOCK WASHERS	
17	8	M10 HEX NUTS	
18	12	M8 BUTTON HEAD BOLTS	
19	12	M8 X 24MM FLAT WASHER	
20	12	M8 LOCK WASHERS	
21	2	M12 PLASTIC RETAINERS	
22	8	M10 PLASTIC RETAINERS	

## ANTI-SEIZE LUBRICANT MUST BE USED ON ALL STAINLESS STEEL FASTENERS TO PREVENT THREAD DAMAGE AND GALLING

1. Remove contents from box, verify if all parts listed are present and free from damage. Carefully read and understand all instructions before attempting installation.
2. Start installation under the driver side of the vehicle. NOTE: To help determine the correct mounting holes to use, hold the front Bracket up in position against the floor panel and line up the Bracket with the correct holes, (Slight removal of the body undercoating/seam sealant is advised. If the bracket appears to be having a non-fit issue once fully tightened remove bracket and remove the remainder of the body undercoating). (Fig. 1).
3. Driver side front Bracket installation: Select (1) M10 Small T-Bolt and (1) M10 Plastic Retainer, (Fig. 2A). Partially thread the Retainer onto the T-Bolt. Insert the T-Bolt into the inner factory oval hole, (Fig. 1 & 3). Rotate the T-Bolt 90-degrees so that the plate is across the slot. Thread the Retainer down until it is tight against the floor panel. The Retainer is designed to help hold the T-Bolt in place during Bracket installation.
4. insert (1) M10 large T-Bolt with (1) Plastic Retainer into the outer oval hole in the floor panel next to the pinch weld as previously described, (Fig. 2B & 3).



Westin Automotive Products, Inc.  
320 Covina Blvd  
San Dimas, Ca. 91773

Thank You for choosing Westin products  
For Additional installation assistance please call  
Customer service (800) 793-7846

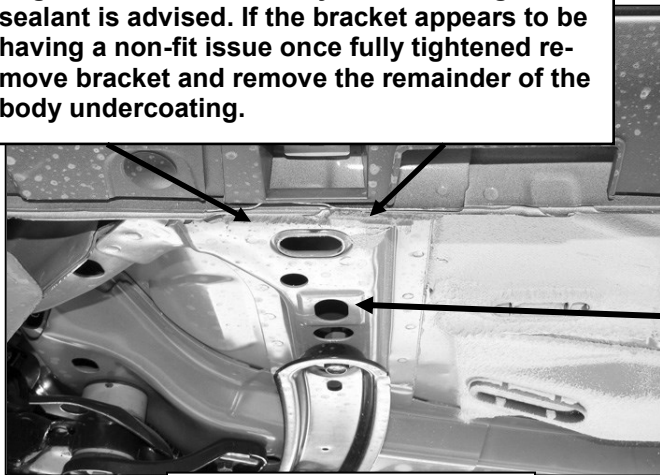
[www.westinautomotive.com](http://www.westinautomotive.com)

5. Hang the driver side Front Bracket from the T-Bolts with (2) M10 Flat Washers, (2) M10 Lock Washers and (2) M10 Hex Nuts, (Fig. 6). Do not tighten hardware at this time.
6. Release the plastic clips attaching the lower plastic rocker panel cover to the body, (Fig. 7).
7. Measure 40" back from the bottom corner of the wheel opening to locate the correct factory hole under the plastic rocker cover for the center Bracket, (Fig. 8). Pull plastic cover outward to access the hole, (Fig. 10). Partially thread (1) M10 Plastic Retainer onto (1) M10 Button Head Bolt Plate, (Fig. 9). Insert Bolt Plate into the round hole and thread the Retainer down against the body, (Fig. 10).
8. Select the driver side center Bracket, (Fig. 11A). Insert the Center Bracket into the approximate position, (Fig. 11B). Mark the Bracket location on the bottom edge of the plastic cover, (Fig. 12). Cut a small slot in the bottom edge of the cover to clear the Bracket. Bolt the Bracket to the Bolt Plate with (1) 10mm Flat Washer, (1) 10mm Lock Washer and (1) 10mm Hex Nut, (Fig. 13). Do not tighten hardware at this time.
9. Move to the rear location and remove the plastic cover on the floor panel, (Fig. 14). Locate the small round hole under the plastic rocker cover, (Fig. 16). Select (1) M10 Button Head Bolt Plate and (1) M10 Plastic Retainer (Fig. 15). Insert the Bolt Plate into the round hole as described in Step 5, (Fig. 16 & 17).
10. Next, locate the large round hole in the floor panel. Insert (1) M12 Bolt Plate into the large round hole and out the smaller hole toward the front, (Fig. 18 & 19). Slide the driver side Rear Bracket under the plastic rocker cover and over the (2) Bolt Plates, (Fig. 20). Secure the Bracket to the outer M10 Bolt Plate with (1) M10 Flat Washer, (1) M10 Lock Washer and (1) M10 Hex Nut. Attach the Bracket to the Larger M12 Bolt Plate with (1) M12 Flat Washer, (1) M12 Lock Washer and (1) M12 Hex Nut. , (Fig. 20). Do not tighten hardware at this time.
11. Hold the plastic cover removed in Step 9, up in position. Trace the location of the rear Bracket onto the cover, (Fig. 21). Carefully cut the cover to clear the Bracket, (Fig. 22A ). IMPORTANT: Cut as little as possible from the cover. Do not cut off the mounting area for the factory hardware. Reinstall the plastic cover and all plastic clips holding the bottom of the rocker cover to the body panel. Check the direction of the cradles on all Brackets before proceeding, (Fig. 23).
12. Carefully unwrap and select the driver Sidebar. Place the Sidebar in position on top of the (3) Brackets. NOTE: It may be necessary to loosen the Brackets slightly to line up the cradles with the threaded inserts in the Sidebars. Bolt the Sidebar to the Brackets with (6) M8 Hex Bolts, (6) M8 Lock Washers and (6) M8 flat washers, (Fig. 24).
13. Repeat steps 2-12 for the passenger side.

#### CARE INSTRUCTIONS

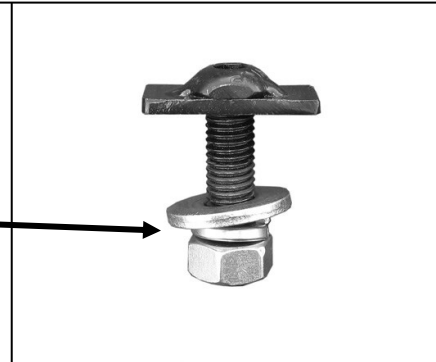
- REGULAR WAXING IS RECOMMENDED. DO NOT USE ANY TYPE OF POLISH OR WAX THAT MAY CONTAIN ABRASIVES
- STAINLESS STEEL PRODUCTS CAN BE CLEANED WITH MILD SOAP AND WATER. STAINLESS STEEL POLISH SHOULD BE USED TO POLISH SMALL SCRATCHES.
- GLOSS BLACK FINISHES SHOULD BE CLEANED WITH MILD SOAP AND WATER

**Slight removal of the body undercoating/seam sealant is advised. If the bracket appears to be having a non-fit issue once fully tightened remove bracket and remove the remainder of the body undercoating.**



**(Fig 1) Driver side front mounting location pictured**

**(Fig 2A) Small 10mm x 35mm T-Bolt for driver side inner front bracket only**

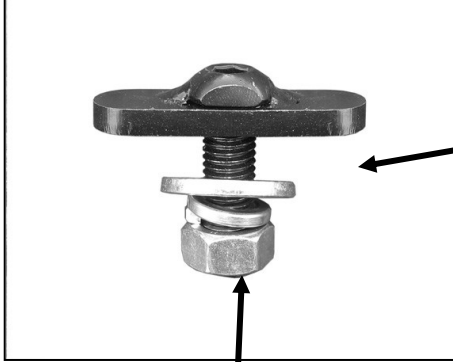


Westin Automotive Products, Inc.  
320 Covina Blvd  
San Dimas, Ca. 91773

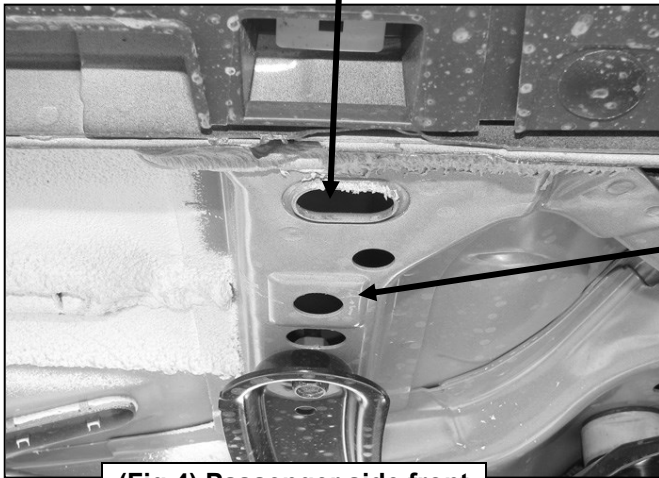
Thank You for choosing Westin products  
For Additional installation assistance please call  
Customer service (800) 793-7846

[www.westinautomotive.com](http://www.westinautomotive.com)

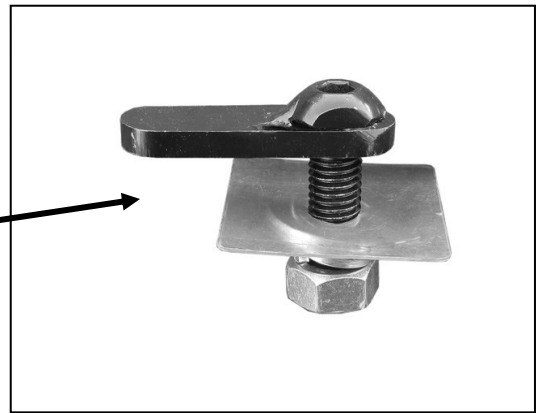
(Fig 2B) Large 10mm x 30mm T-Bolt for driver and passenger side outer location on front brackets only



(Fig 3) Driver side pictured



(Fig 4) Passenger side front mounting location pictured



(Fig 5) Use 10mm x 30mm Bolt Plate for passenger side inner location (same bolt plate used on center and rear brackets)

(2) M10 Flat Washers  
(2) M10 Lock Washers  
(2) M10 Hex Nuts

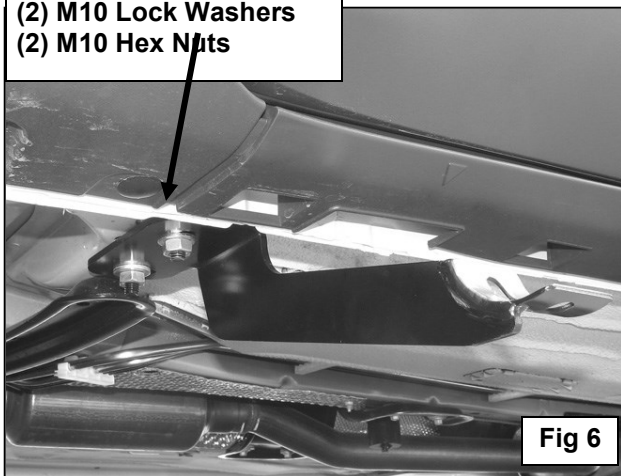
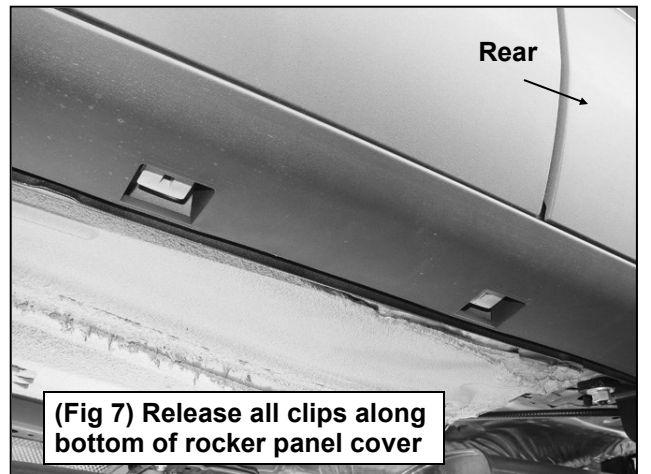


Fig 6



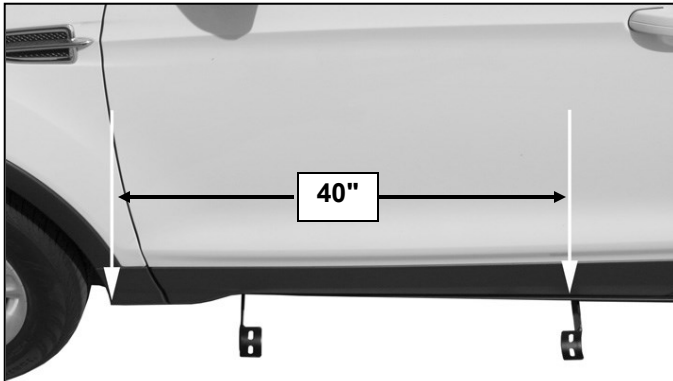
(Fig 7) Release all clips along bottom of rocker panel cover



Westin Automotive Products, Inc.  
320 Covina Blvd  
San Dimas, Ca. 91773

Thank You for choosing Westin products  
For Additional installation assistance please call  
Customer service (800) 793-7846  
www.westinautomotive.com

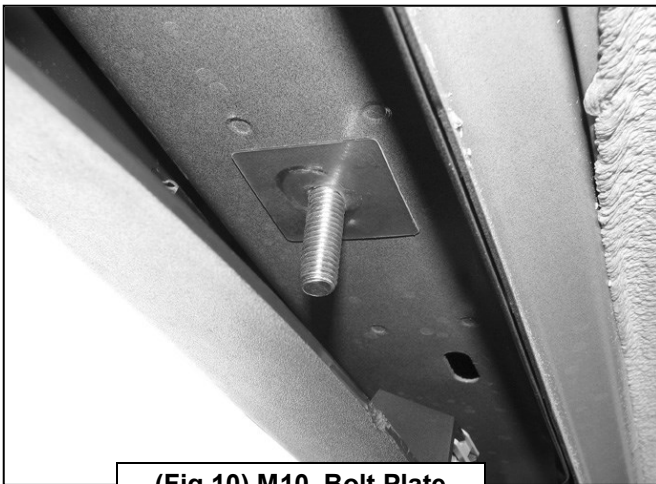




(Fig 8) Measure approximately 40 inches from bottom corner of wheel opening along rocker panel to locate factory hole for center Bracket



(Fig 9) M10 x 30mm Bolt Plate



(Fig 10) M10 Bolt Plate with Plastic Retainer

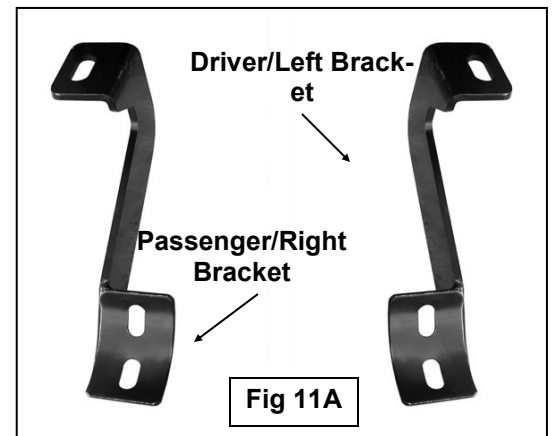
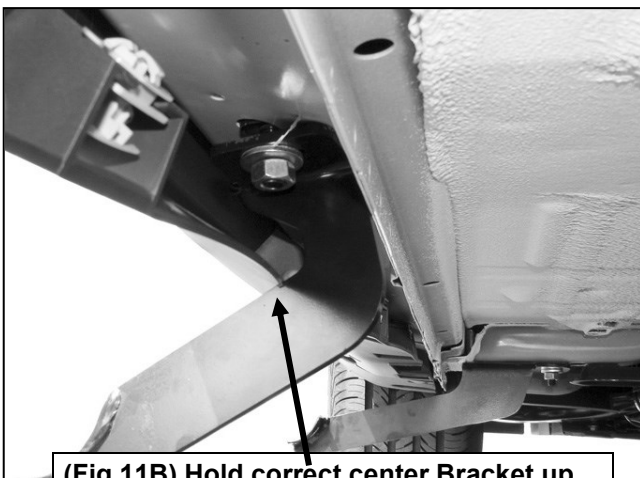


Fig 11A



(Fig 11B) Hold correct center Bracket up in place to determine area to cut from bottom edge of rocker panel cover

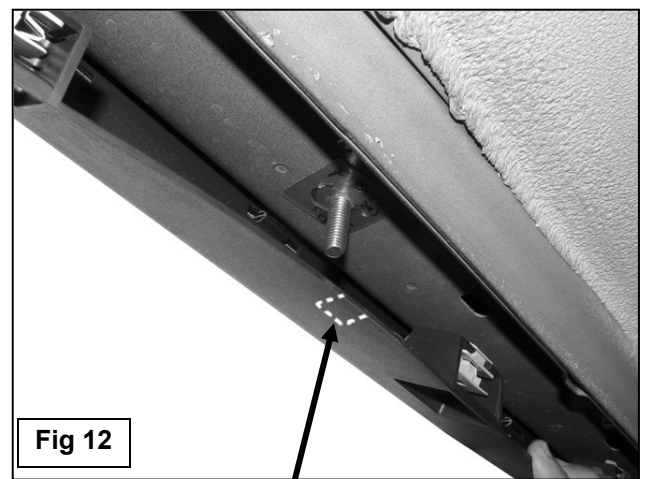


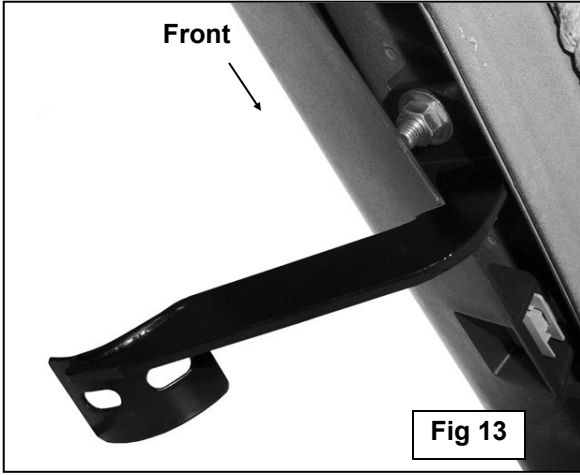
Fig 12

Dotted line represents area to cut from bottom edge of rocker panel cover to clear center Bracket

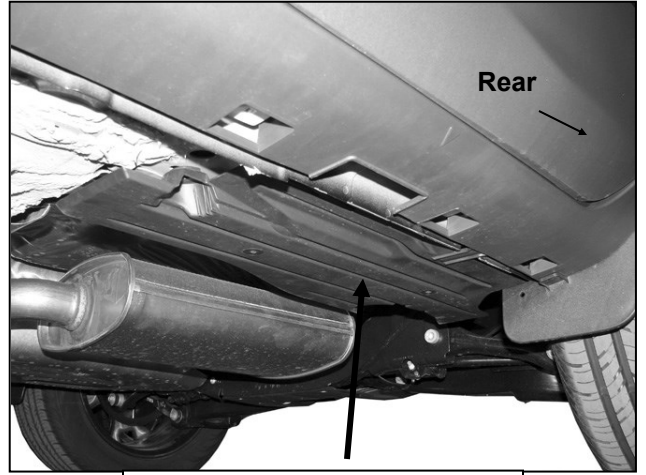


Westin Automotive Products, Inc.  
320 Covina Blvd  
San Dimas, Ca. 91773

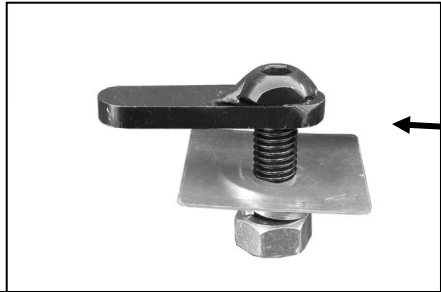
Thank You for choosing Westin products  
For Additional installation assistance please call  
Customer service (800) 793-7846  
www.westinautomotive.com



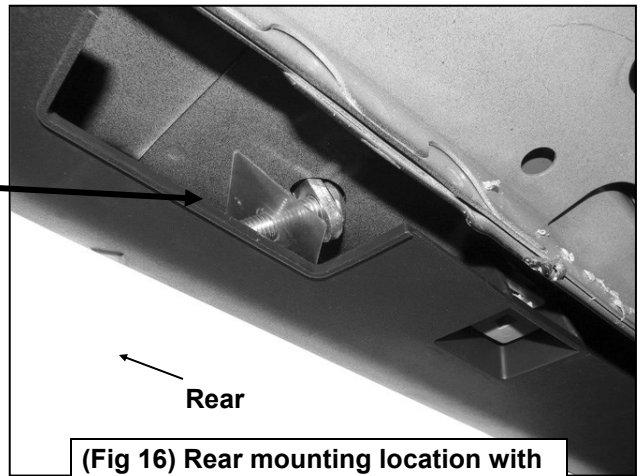
**Fig 13**



**(Fig 14) Remove plastic cover**



**(Fig 15) M10 x 30mm Bolt Plate**



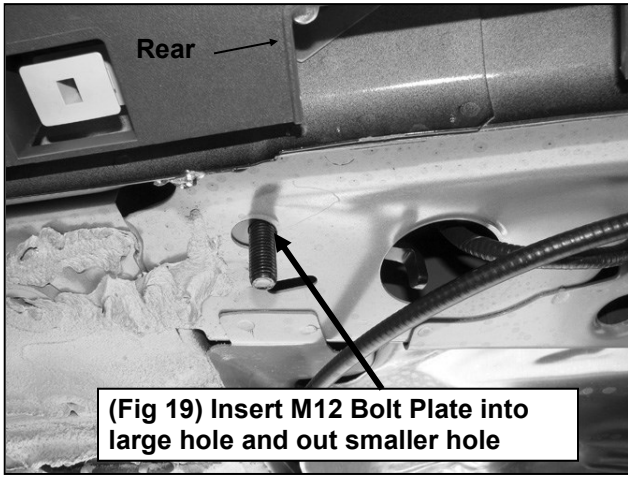
**(Fig 16) Rear mounting location with Bolt Plate pictured from below**



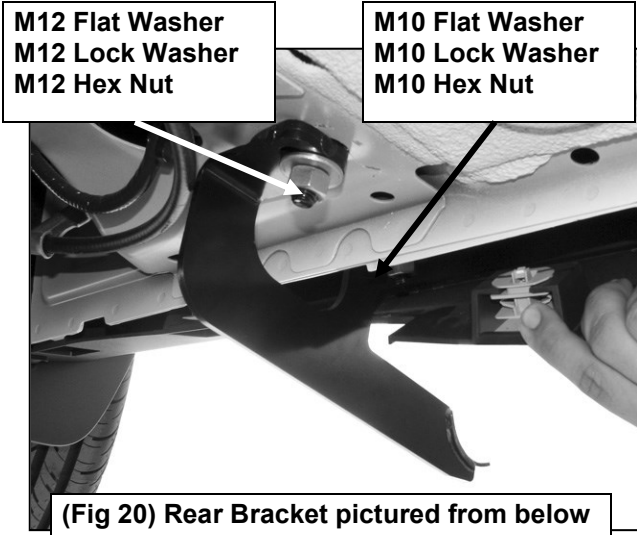
**(Fig 17) Rear mounting location with Bolt Plate pictured from below**



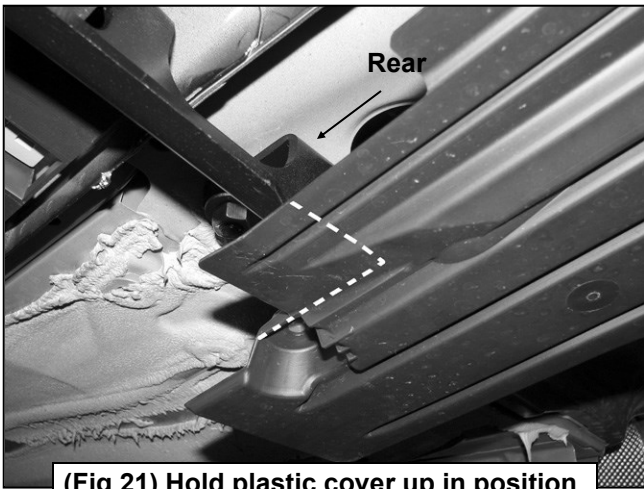
**(Fig 18) M12 Bolt Plate for rear Bracket only**



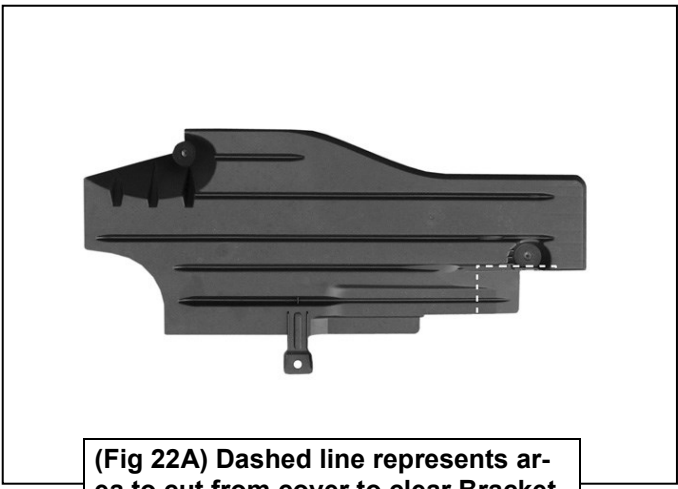
(Fig 19) Insert M12 Bolt Plate into large hole and out smaller hole



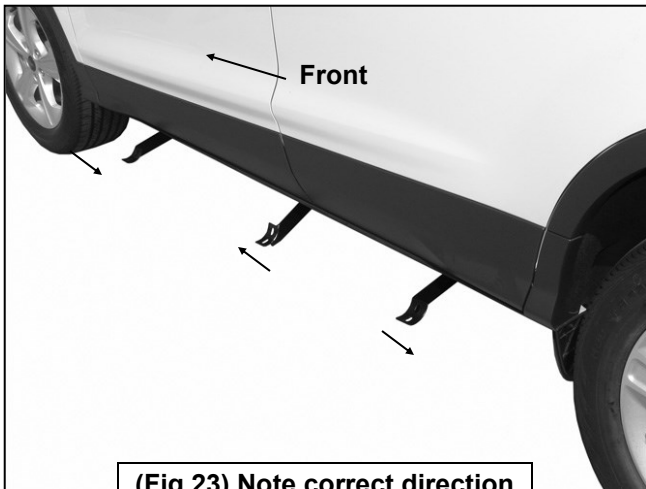
(Fig 20) Rear Bracket pictured from below



(Fig 21) Hold plastic cover up in position to determine area to cut from cover



(Fig 22A) Dashed line represents area to cut from cover to clear Bracket



(Fig 23) Note correct direction of cradles on Brackets

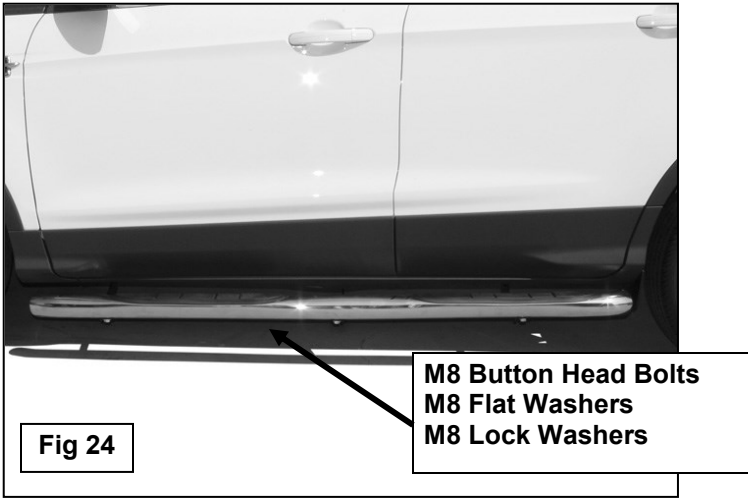


Fig 24

**Complete Installation**



Westin Automotive Products, Inc.  
320 Covina Blvd  
San Dimas, Ca. 91773

Thank You for choosing Westin products  
For Additional installation assistance please call  
Customer service (800) 793-7846  
www.westinautomotive.com

- Level and adjust the side bars as needed, then fully tighten all hardware at this time. Torque all M12 fasteners to 50-55 ft lbs, M10 to 35-40 ft lbs, and M8 to 25-30 ft lbs



Westin Automotive Products, Inc.  
320 Covina Blvd  
San Dimas, Ca. 91773

Thank You for choosing Westin products  
For Additional installation assistance please call  
Customer service (800) 793-7846  
[www.westinautomotive.com](http://www.westinautomotive.com)