



INSTRUCTIONS—INSTRUCCIONES—CONSIGNES

APPLICATION: 2006-13 TOYOTA RAV4
PART # 32-21170, 32-21175
CONTOUR BAR

SIGNATURE OF QUALITY

AUTOMOTIVE PRODUCTS, INC.

ITEM	QUANTITY	DESCRIPTION	TOOLS NEEDED
1	1	CONTOUR BAR	18MM SOCKET
2,3	2	MOUNTING BRACKET 2(DRIVERS SIDE), 3(PASSENGER SIDE)	18MM WRENCH
4	2	LIGHT MOUNTING BRACKETS	17MM SOCKET
5	2	M12 X 40MM HEX HEAD BOLTS	18MM WOBBLE SOCKET (OPTIONAL)
6	6	M12 FLAT WASHERS	10MM SOCKET
7	6	M12 LOCK WASHERS	FLAT HEAD SCREWDRIVER
8	4	M12 X 110MM FINE THREAD HEX BOLTS	ALLEN WRENCH
9	2	LONG SPACERS	TORQUE WRENCH
10	2	SHORT SPACERS	RATCHET
11	2	M10 X 30 BUTTON HEAD BOLT (STAINLESS)	RATCHET EXTENSION
12	2	M10 TOOTHED LOCK WASHER (STAINLESS)	
13	2	M10 FLAT WASHER (STAINLESS)	
14	1	ADHESIVE FOAM TAPE	

USE ANTI-SEIZE THREAD LUBRICANT ON ALL STAINLESS HARDWARE TO PREVENT THREAD GALLING

1. Remove contents from box, verify all parts listed are present and free from damage. Carefully read and understand all instructions before attempting installation.
2. Remove the plastic splash shield beneath the engine by removing all the hex head screws with a 10mm socket and the plastic clips with a flathead screwdriver.
3. Starting on the driver side of the vehicle, remove the (2) inner M12 chassis bolts shown (Figure 1) with a 17mm socket.
4. Loosely install the mounting bracket as shown using (1) long spacer, (1) short spacer, (2) long M12 fine thread bolts, (2) M12 flat washers and (2) M12 split lock washers (refer to Figures 2 & 3). Note: The bracket should be installed toward the back of the slots for 2013+ vehicles and toward the front of the slots for 2006—2012 vehicles.
5. Repeat steps 3 and 4 for the driver side.
6. With assistance, hold the light bar up to the brackets and loosely install using (2) M12 coarse thread bolts, (2) M12 flat washers and (2) M12 split lock washers.
7. Adjust the light bar horizontally to center it, then tighten the M12 fasteners to 40 - 45 ft-lbs (refer to Figure 4). Note: The best way to tighten the fasteners is with an 18mm wobble socket on a ratchet extension. If one is not available an 18mm box wrench may be used through the bracket opening.
8. Adjust the light bar to position it about a 1/4" away from the front bumper, then tighten the (4) M12 fine thread bolts to 45 - 50 ft-lbs. using an 18mm socket. Note: It is normal for the rear of the bracket to bend slightly against the vehicle's frame during tightening on 06 - 12 vehicles.
9. Trim the vehicle's splash shield as necessary to clear the light bar brackets and re-install using factory hardware.
10. If off-road lights are desired, mount the (2) light brackets using (2) M10 button head bolts, (2) M10 flat washers and (2) M10 lock washers. Cut the supplied adhesive foam tape as necessary and place it between the brackets and the light bar prior to installation. Mount the light to the brackets per the light manufacturer's instructions. Tighten the M10 hardware to 20 - 25 ft-lbs.

CARE INSTRUCTIONS

- REGULAR WAXING IS RECOMMENDED. DO NOT USE ANY TYPE OF POLISH OR WAX THAT MAY CONTAIN ABRASIVES
- STAINLESS STEEL PRODUCTS CAN BE CLEANED WITH MILD SOAP AND WATER. STAINLESS STEEL POLISH SHOULD BE USED TO POLISH SMALL SCRATCHES.
- GLOSS BLACK FINISHES SHOULD BE CLEANED WITH MILD SOAP AND WATER



Westin Automotive Products, Inc.
320 W. Covina Blvd.
San Dimas, CA 91773

Thank You for choosing Westin products
For additional installation assistance please call
Customer Service (800) 793-7846
www.westinautomotive.com

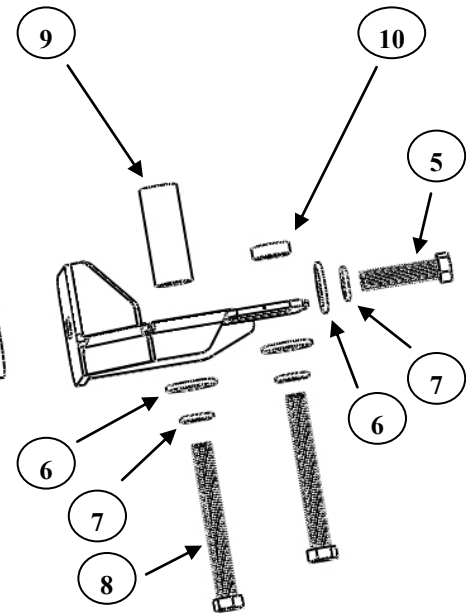
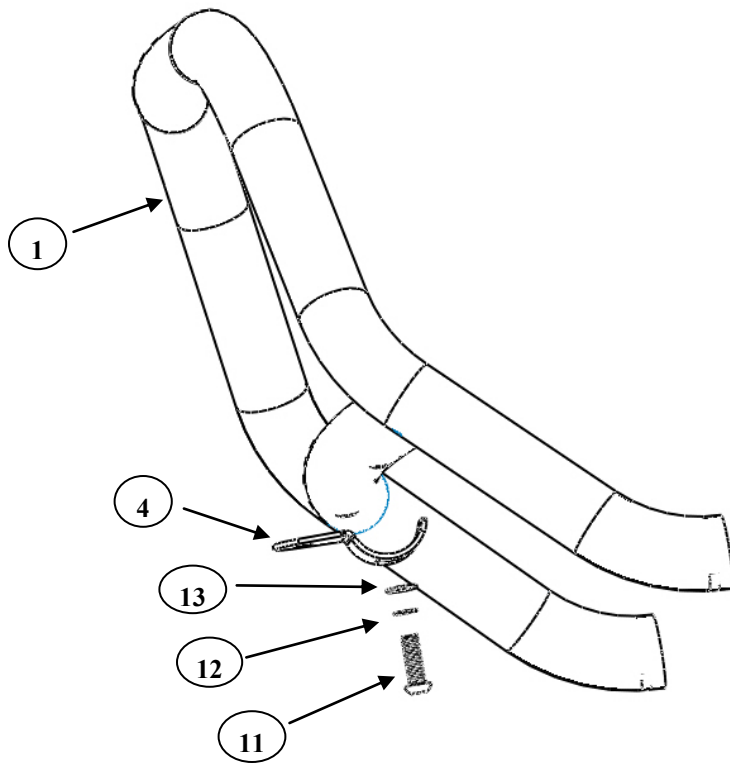
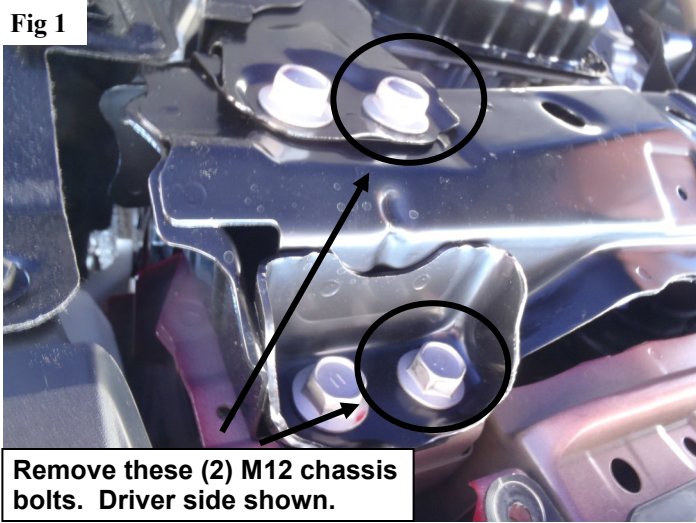
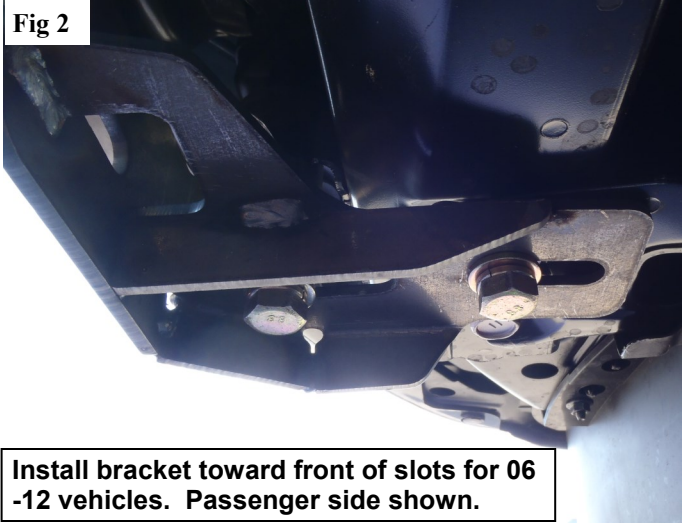


Fig 1



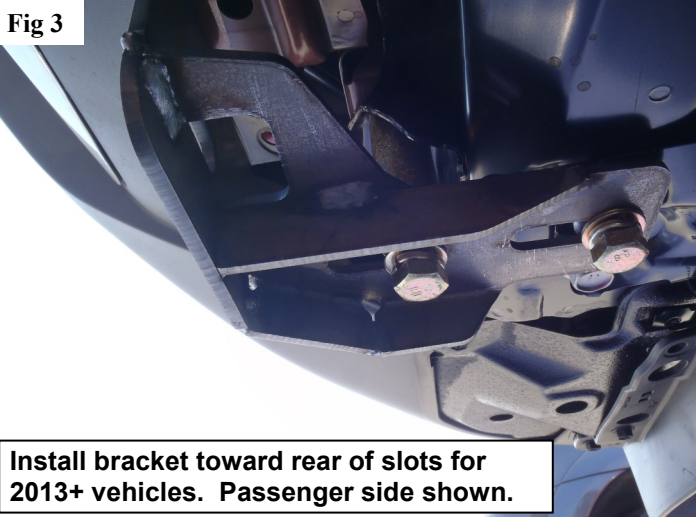
Remove these (2) M12 chassis bolts. Driver side shown.

Fig 2



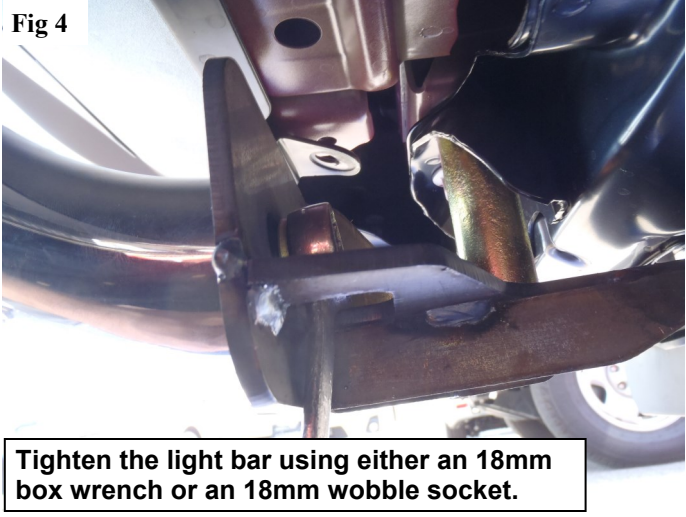
Install bracket toward front of slots for 06-12 vehicles. Passenger side shown.

Fig 3



Install bracket toward rear of slots for 2013+ vehicles. Passenger side shown.

Fig 4



Tighten the light bar using either an 18mm box wrench or an 18mm wobble socket.



INSTALLATION COMPLETE—2013 RAV 4



INSTALLATION COMPLETE—2006 - 2012 RAV 4