



# INSTALLATION INSTRUCTIONS

APPLICATION: 1999-2000 JEEP GRAND CHEROKEE

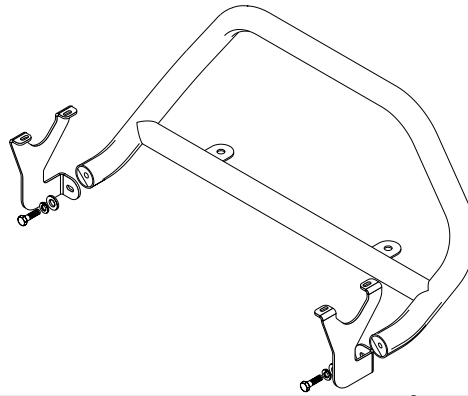
## AUTOMOTIVE PRODUCTS, INC.

SAFARI BAR  
ASSEMBLY

**30-0005**

MOUNT KIT:

**30-1135**



QTY	PARTS KIT CONTENTS		TOOLS REQUIRED
	DESCRIPTION		
1	SAFARI BAR ASSEMBLY (PURCHASED SEPARATELY)		3/4" SOCKET 17MM SOCKET RATCHET TORQUE WRENCH SOCKET EXTENSION FLAT SCREWDRIVER
1	MOUNT BRACKET - DRIVER SIDE		
1	MOUNT BRACKET - PASSENGER SIDE		
2	1/2-13 X 2.00" HEX HEAD BOLT		
2	1/2" FLAT WASHER		
2	1/2" LOCK WASHER		
4	M10- 1.50 X 30MM HEX HEAD BOLT		
4	10MM FLAT WASHER		
4	10MM LOCK WASHER		

- STEP 1. Remove the contents from the box and check for any damage. Verify all parts against the parts list.
- STEP 2. Read and understand instructions completely before beginning installation.
- STEP 3. Determine Driver and Passenger Mount Brackets from figure above.
- STEP 4. Remove plastic sway-bar shroud from underneath vehicle with flat screwdriver. Shroud is held in with four (4) plastic "push-in" style pins that secure it to the bottom part of the frame. **Note:** Reinstallation of shroud is optional.
- STEP 5. Install driver side Mount Bracket using (2) M10- 1.50 x 30mm bolts, (2) 10mm Flat Washers, and (2) 10mm Lock Washers. Leave loose. Repeat for the passenger side.
- STEP 6. Attach Safari Bar to Mount Brackets using the 1/2" hardware. Leave loose.
- STEP 7. Center and level the Safari Bar. Tighten and torque fasteners to:
- |                |             |
|----------------|-------------|
| 10mm Bolts     | 35 Ft. Lbs. |
| 1/2" fasteners | 65 Ft. Lbs. |

Finish protection - Westin products have a high quality finish that must be cared for like any other exposed finish on the vehicle. Protect the finish with a non-abrasive automotive wax (pure carnauba, for example) on a regular basis. The use of cleaner wax or any compound which contains an abrasive is detrimental, as the compounds scratch the finish and open it to corrosion.