

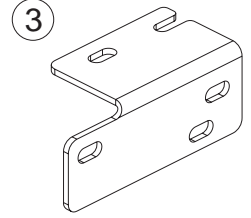
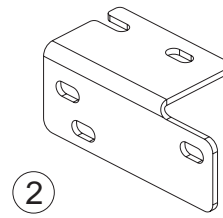
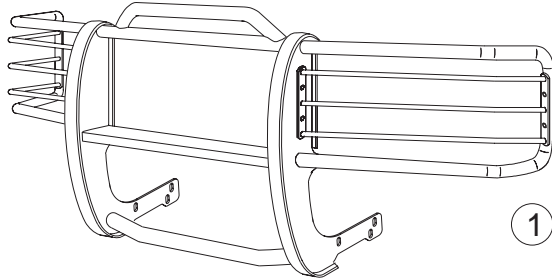


INSTALLATION INSTRUCTIONS

APPLICATION: 2001-04 EXPLORER SPORT 2DR
 2001-06 EXPLORER SPORT TRAC
 2/4 WHEEL DRIVE

AUTOMOTIVE PRODUCTS, INC.

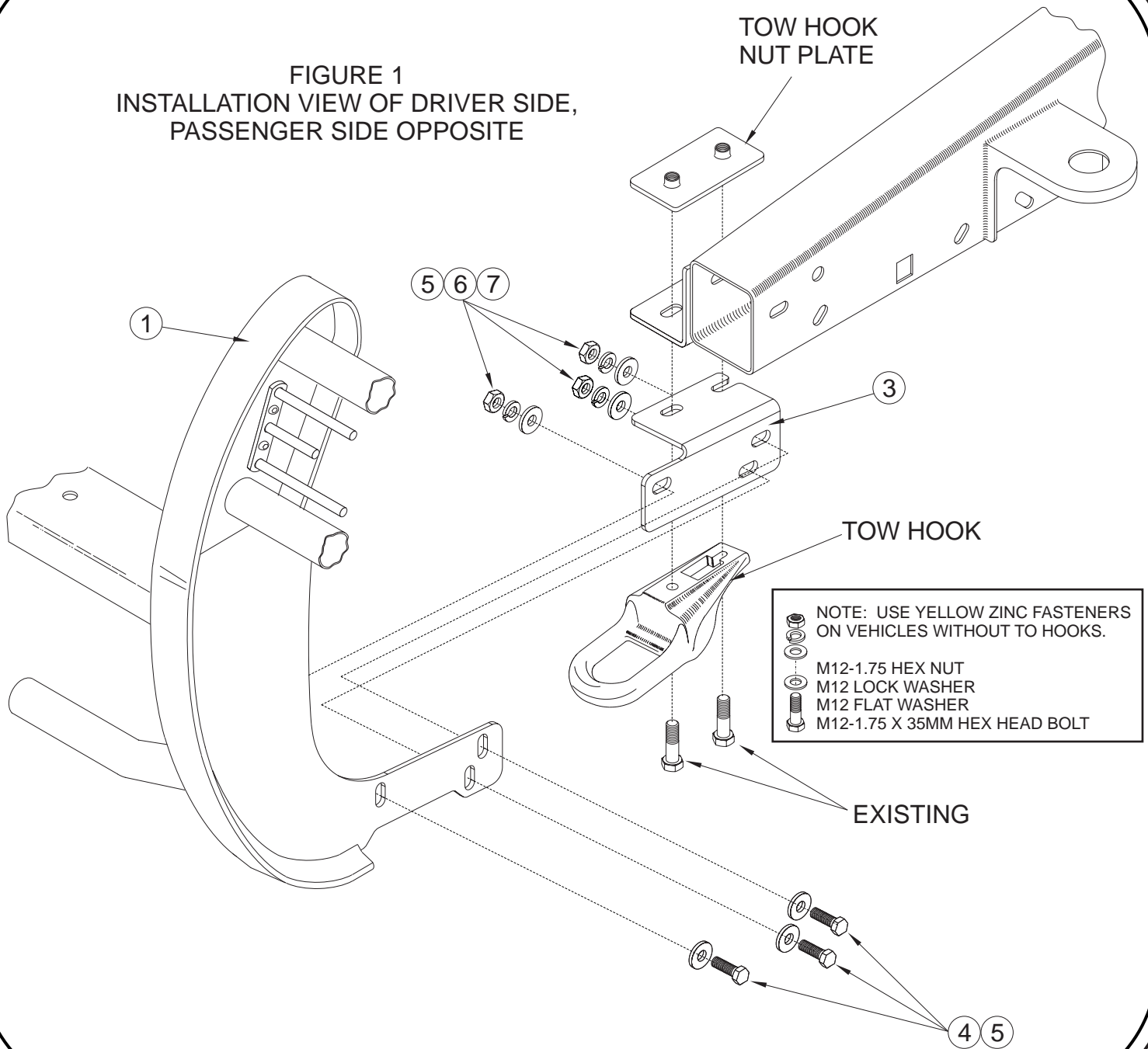
SPORTSMAN
 ASSEMBLY
 45-0800
 40-0805



		PARTS KIT CONTENTS		
ITEM	QTY	DESCRIPTION		TOOLS REQUIRED
1	1	SPORTSMAN ASSEMBLY		18MM SOCKET
2	1	BRACKET, DRIVER SIDE		19MM WRENCH
3	1	BRACKET, PASSENGER SIDE		15MM SOCKET
4	6	M12-1.75 X 35MM HEX HEAD BOLT, STAINLESS STEEL		10MM SOCKET
5	12	M12 FLAT WASHER, STAINLESS STEEL		8MM SOCKET
6	6	M12 LOCK WASHER, STAINLESS STEEL		RATCHET
7	6	M12-1.75 HEX NUT, STAINLESS STEEL		
8	4	M12-1.75 X 35MM HEX HEAD BOLT, YELLOW ZINC		
9	8	M12 FLAT WASHER, YELLOW ZINC		
10	4	M12 LOCK WASHER, YELLOW ZINC		
11	4	M12-1.75 HEX NUT, YELLOW ZINC		

- STEP 1. Remove the contents from box and check for damage. Verify all parts are present. Read instructions completely before beginning.
- NOTE:** Westin advises the installer to use a thread lubricant on all of the stainless steel fasteners.
- STEP 3. From underside of vehicle and behind bumper, remove four M8 bolts and three M6 bolts that secure the plastic shroud.
- STEP 4. Determine passenger and driver brackets. Remove tow hooks using a 15MM socket. **SEE FIGURE 1.**
NOTE: Vehicles without tow hooks, attach mounting brackets to frame using yellow zinc fasteners. Install bolts through existing holes in "L" Bracket on the side of the frame. **SEE FIGURE 1.**
- STEP 5. Position bracket between vehicle frame and tow hook and attach using existing tow hook bolts. Hand tighten.
- STEP 6. Align bracket slots and Sportsman slots. Fasten using M12 fasteners on each side. Hand tighten.
- STEP 7. Center and level Sportsman with vehicle. Torque tow hook bolts to 75 Ft. Lbs and M12 bolts to 55 Ft. Lbs.
- STEP 8. Reinstall plastic shroud previously removed. Torque M8 bolts to 8 Ft. Lbs. and M6 bolts to 3 Ft. Lbs.

FIGURE 1
 INSTALLATION VIEW OF DRIVER SIDE,
 PASSENGER SIDE OPPOSITE



Finish protection - Westin products have a high quality finish that must be cared for like any other exposed finish on the vehicle. Protect the finish with a non-abrasive automotive wax (pure carnauba, for example) on a regular basis. The use of cleaner wax or any compound which contains an abrasive is detrimental, as the compounds scratch the finish and open it to corrosion.



Westin Automotive Products, Inc.
 5200 N. Irwindale Ave. Suite 220
 Irwindale, Ca. 91706

Thank You for choosing Westin products
 For additional installation assistance please call
 Customer service (800) 793-7846 or (507) 375-3559