



SIGNATURE OF QUALITY

AUTOMOTIVE PRODUCTS, INC.

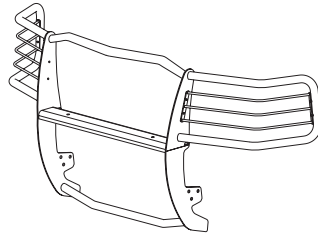
INSTALLATION INSTRUCTIONS

APPLICATION: 2007-08 CHEVY SUBURBAN/AVALANCHE 2500 SERIES

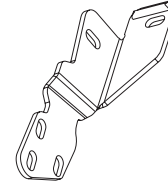
SPORTSMAN
ASSEMBLIES

40-2155
45-2150

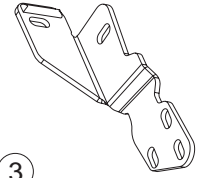
1



2



3



PARTS KIT CONTENTS

ITEM	QTY	DESCRIPTION	TOOLS REQUIRED
1	1	SPORTSMAN ASSEMBLY	18MM SOCKET
2,3	2	BOTTOM BRACKET, PASSENGER (2) AND DRIVER (3)	18MM WRENCH
4	6	M12-1.75 X 30MM HEX HEAD BOLT, STAINLESS STEEL	19MM SOCKET
5	12	M12 FLAT WASHER, STAINLESS STEEL	17MM SOCKET
6	6	M12 LOCK WASHER, STAINLESS STEEL	RATCHET
7	6	M12-1.75 HEX NUT, STAINLESS STEEL	SOCKET EXTENSION
8	6	M12 BOLT PLATE, YELLOW ZINC	UTILITY KNIFE
9	6	M12 FLAT WASHER, YELLOW ZINC	
10	6	M12 LOCK WASHER, YELLOW ZINC	
11	6	M12 HEX NUT, YELLOW ZINC	
12	2	ANTI-REFLECTIVE TAPE (POLISHED ASSEMBLIES ONLY)	

- NOTE: WESTIN ADVISES THE INSTALLER TO USE A THREAD LUBRICANT ON ALL STAINLESS HARDWARE.
- STEP 1. Remove the contents from box and check for damage. Verify all parts are present. Read instructions completely before beginning.
- STEP 2. Remove tow hooks by removing the front through bolt and rear bolt that threads into the bottom of the tow hooks. The tow hooks will be reinstalled. **NOTE:** If vehicle is not equipped with tow hooks, place M12 bolt plates through the mounting holes from the inside of the frame. **SEE FIGURE 1 AND 2 .**
- STEP 3. Slide brackets in through the backside of the tow hook pockets. Align upper slots on brackets with holes on the outside of the frame ends. Reinstall tow hooks. Secure with factory hardware. Leave loose. It may be necessary to trim the fascia around the tow hook area in order to properly align the brackets. **NOTE:** If using M12 bolt plates, use the supplied M12 yellow zinc fasteners. **SEE FIGURES 1 AND 2.**
- STEP 4. Attach Sportsman to brackets using 12MM fasteners. **SEE FIGURE 3.** Center and level Sportsman on vehicle and tighten all fasteners.
- STEP 5. If light glare is being experienced off the wings of the grille guard, anti reflective tape has been supplied to reduce glare. With headlights on, note where the reflection is concentrated on the wing. Clean the wing well with a non-abrasive cleaner (rubbing alcohol works the best.) Trim the anti-reflective tape to the appropriate size where the glare was located and apply tape. **SEE FIGURE 4.**

FIGURE 1

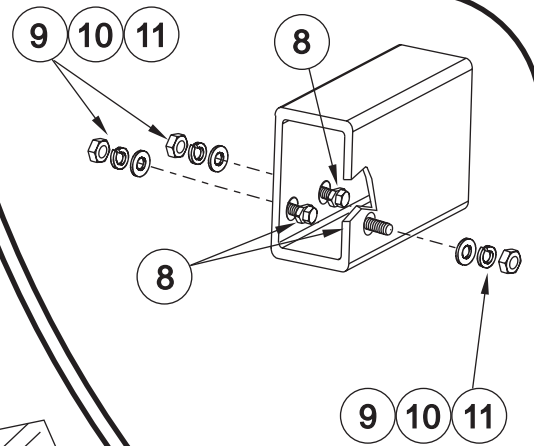
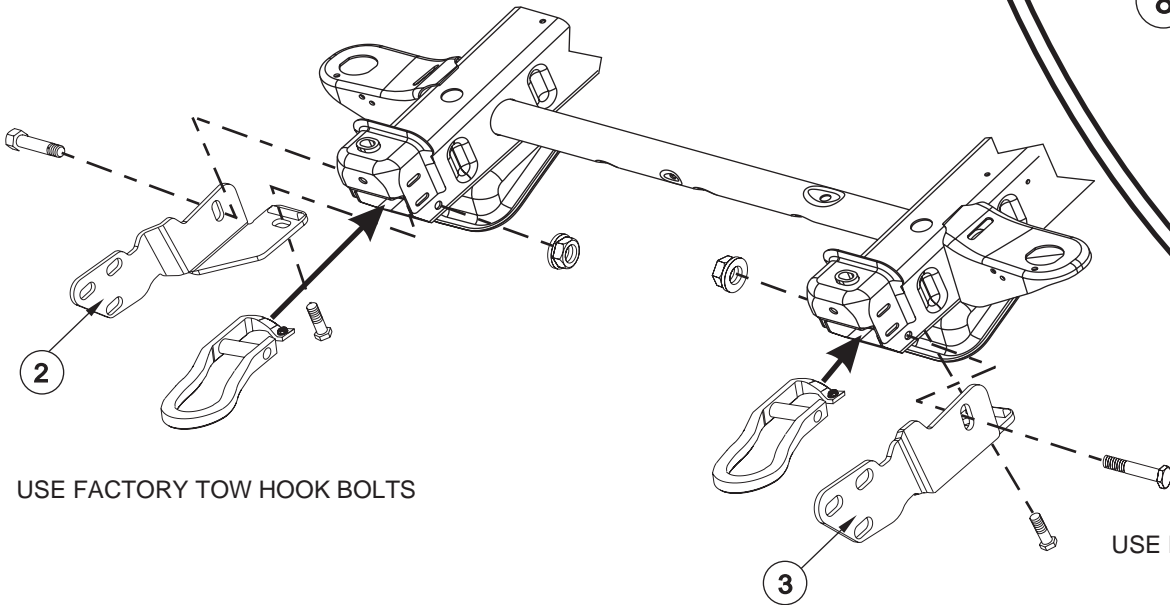


FIGURE 2
INSTALLATION
WITHOUT TOW HOOKS

TRIMMING OF TOW HOOK
AREA MAY BE NEEDED

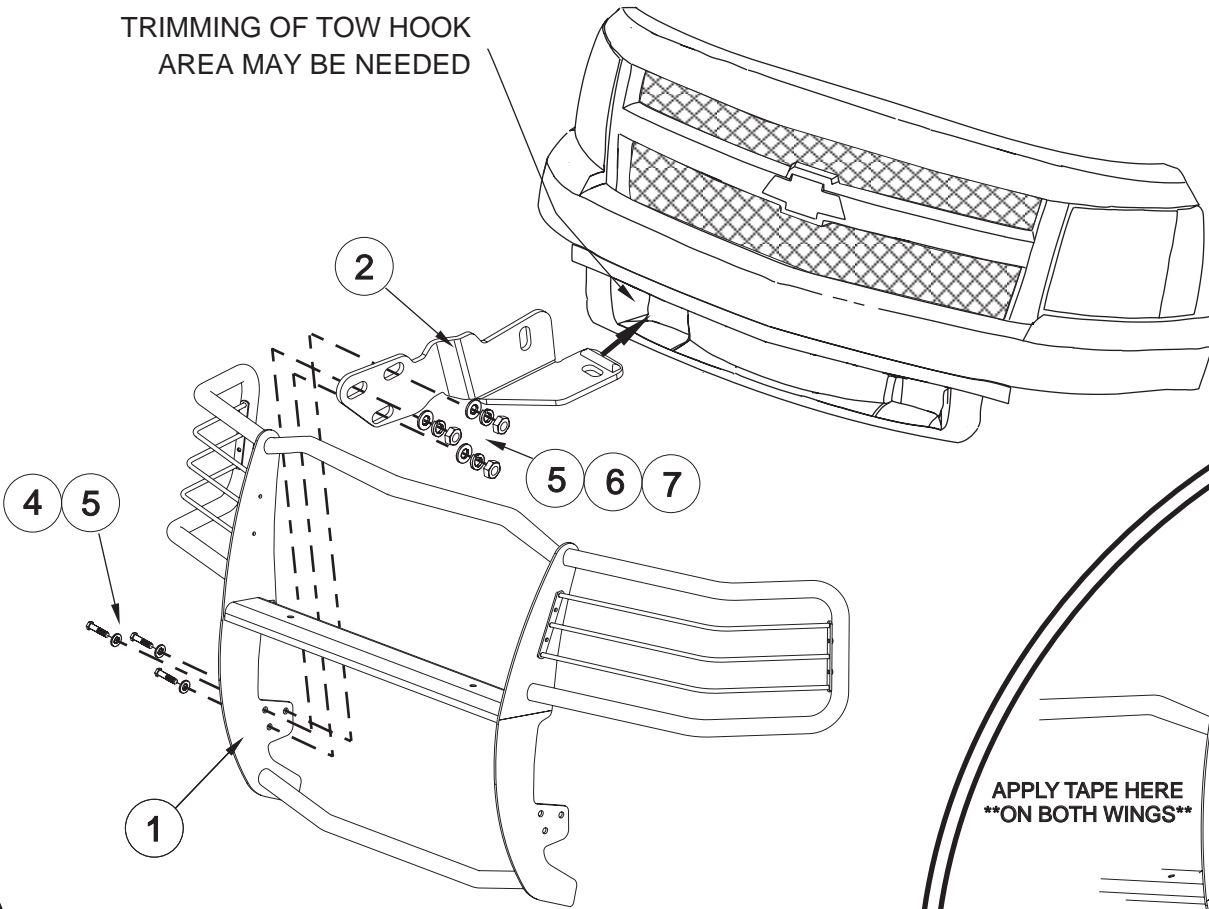


FIGURE 3

APPLY TAPE HERE
ON BOTH WINGS

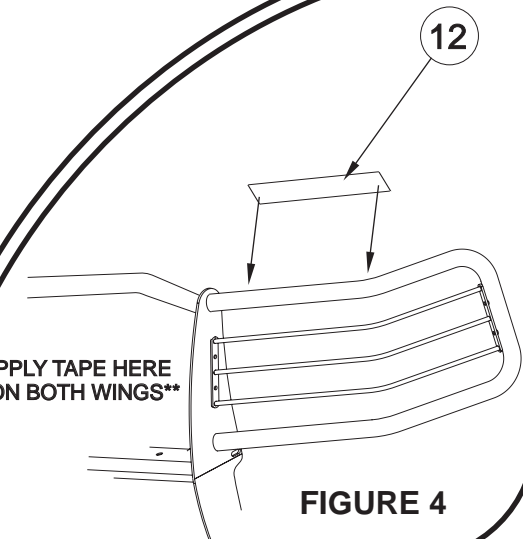


FIGURE 4