



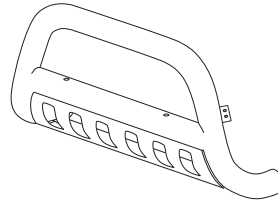
# INSTALLATION INSTRUCTIONS

**APPLICATION: 2005-07 FORD F250/350HD SUPERDUTY;  
2005-07 FORD EXCURSION**

**AUTOMOTIVE PRODUCTS, INC.**

## BULL BAR ASSEMBLY

**31-5640**



ITEM	QTY	CONTENTS	TOOLS
1	1	BULL BAR ASSEMBLY	14MM SOCKET
2	2	BRACKETS - PASSENGER/DRIVER SIDE	18MM SOCKET
3	4	M10*25 HEX HEAD BOLTS	5/8" SOCKET
4	4	M10 FLAT WASHERS	5/8" WRENCH
5	4	M10 LOCK WASHERS	17MM WRENCH
6	4	M10 HEX NUTS	RATCHET
			TORQUE WRENCH

### PRODUCT INSTALLATION:

1. Verify all parts & hardware are present. Please read Instruction Sheets before installing. No drilling required.
2. Determine passenger and driver brackets. Locate and remove the front bumper bolts that support the bumper to vehicle.  
**NOTE:** It may be necessary to hold the factory nut plate from the rear of the bumper to keep it in place. Attach the brackets to bumper and reinstall bolts. Leave loose. **SEE FIGURE 1.**
3. Attach the Bull Bar to the brackets using the M10 fasteners as shown. Leave loose. **SEE FIGURE 1.**
4. Level and adjust Bull Bar as desired. Torque 12MM bumper bolts to 60 ft/lbs and 10MM fasteners to 30 ft/lbs.

**OPTIONAL LIGHT INSTALLATION:** Insert the threaded stud on base of the light through hole in cross tube. Using a ratchet, extension and socket for correct size of nut supplied, insert through large clearance hole in bottom of cross tube. Thread nut and washers on stud and tighten. **NOTE:** A short socket, not a deep-socket, works best to get the nut started. If not installing lights, plug mount holes with rubber caps provided.

**NOTE:** It may be necessary to remove/relocate front license plate and license plate bracket. It is not required, but strongly recommended. If local/state laws requires a license plate, license plate relocation kit 32-0055 is available. License plate bracket must be removed on 2005 and newer vehicles.

### PRODUCT CARE:

Westin products have a high quality finish that must be cared for like any other exposed finish on the vehicle. Protect the finish with a non-abrasive automotive wax, (e.g. Pure Carnauba) on a regular basis. The use of any soap, polish or wax that contains an abrasive is detrimental, as the compounds scratch the finish and open it to corrosion.

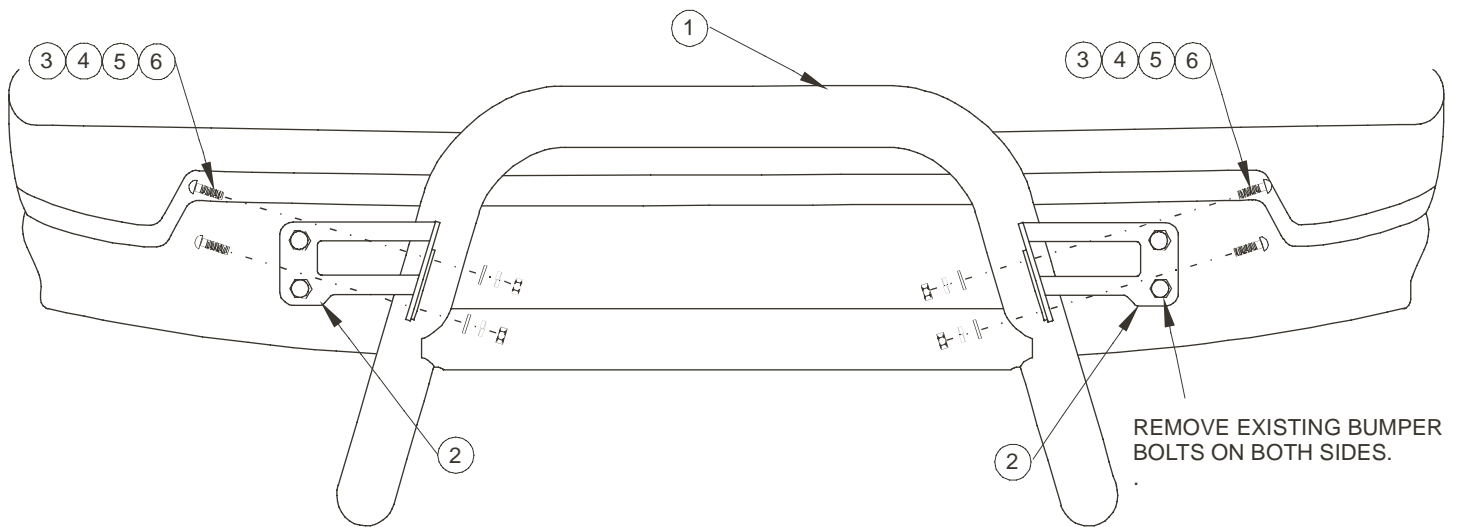


FIGURE 1