

INSTALLATION INSTRUCTIONS
37067 SIDE BAR
FORD RANGER EDGE P.U. SUPER CAB. 4 DR. 99-06

Parts List:	(1) Hardware kit including:
QTY	(4) 1/2 x 2" hex. head bolts
(1) Sidebar Set	(4) 1/2" flat washers
(2) Front bracket set	(4) 1/2" lock washers
(2) Front auxiliary bracket	(12) 3/8 x 1 1/4" hex head bolts
(2) Rear bracket set.	(20) 3/8" flat washers
(2) Complementary rear bracket	(12) 3/8" lock washers
(2) Nut plate.	(8) 3/8" hex nut

Tools required:

3/4" Socket 9/16" Socket
9/16" Wrech Ratchet

Instructions:

Aproximated installation time: 30 min.

1. Read and understand instructions completely before beginning installation.
2. The sidebar set consists in a driver and passenger side. Be sure to determinate the correct side before installation.
3. Insert the nut plate in vehicle frame. **Image 1.**
4. Install front bracket to nut plate, attach using: (2) 3/8 x 1 1/4", (2) 3/8" flat washer, (2) 3/8" lock washer. **Image 2.**
5. Install front auxiliary bracket, attach using: (1) 3/8 x 1 1/4" and (1) 3/8" flat washer. **Image 3.**
6. Install complementary rear bracket to vehicle. attach using: (1) 3/8 x 1 1/4", (2) 3/8" flat washer, (1) 3/8" lock washer and (1) 3/8" hex nut. **Image 4.**
7. Attach rear bracket to complement rear bracket before installed use: (2) 3/8 x 1 1/4", (4) 3/8" flat washer, (2) 3/8" lock washer and (2) 3/8" hex nut. **Image 5.**
8. Install the side bar up to the front bracket using (2) 1/2 x 2" hex. head bolt, (2) 1/2" flat washer, and (2) 1/2" lock washer. Leave loose. **Image 6.**
9. Make any final adjustments to the alignment of the sidebar and tighten all bolts. Repeat for the opposite side.
10. You may need to periodically re-tighten the bolts.

Assembly Diagram:

Image 1

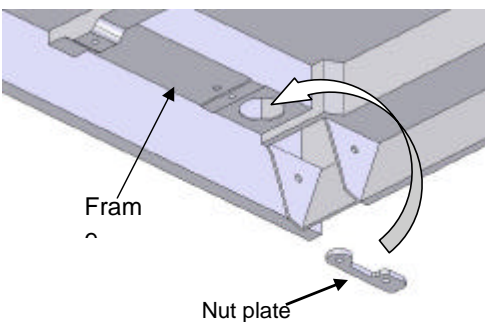
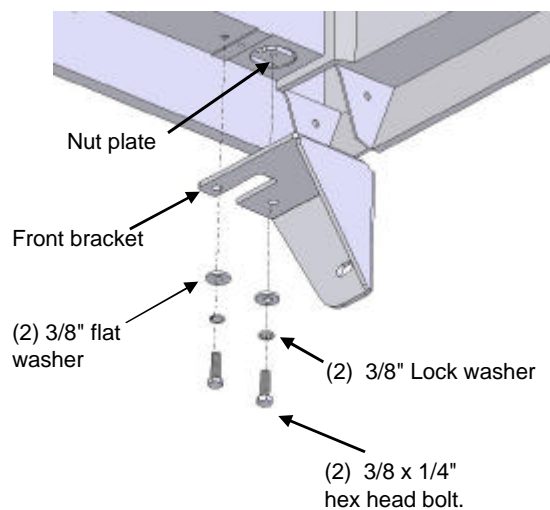


Image 2



Cleaning and care instructions:

Protect the finish with a non-abrasive automotive wax, (e.g. Pure Carnauba) on a regular basis. The use of any soap, polish, or wax that contains an abrasive is detrimental to the finish, as the compounds scratch the finish and cause corrosion.

Diseño:	Calidad:
---------	----------

INSTALLATION INSTRUCTIONS
37067 SIDE BAR
FORD RANGER EDGE P.U. SUPER CAB. 4 DR. 99-06

Image 3

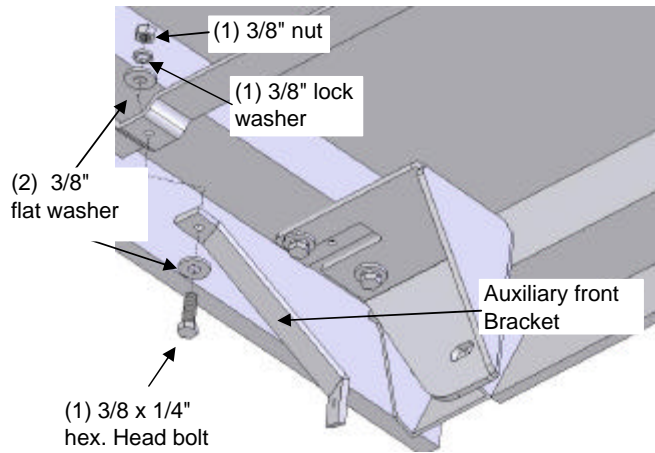


Image 4

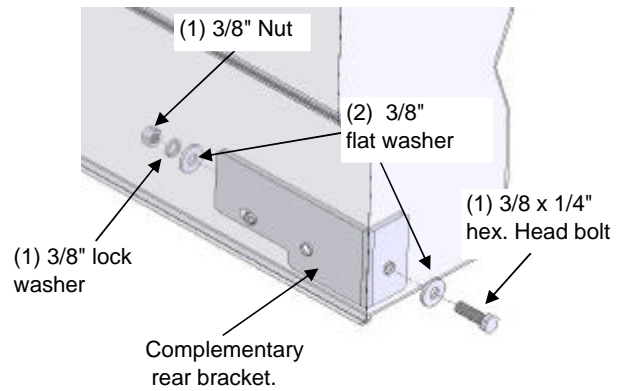


Image 5

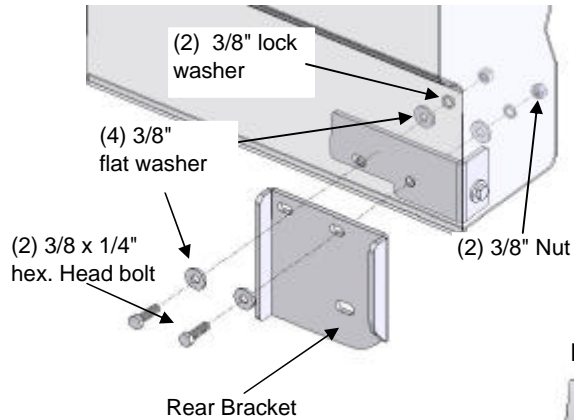
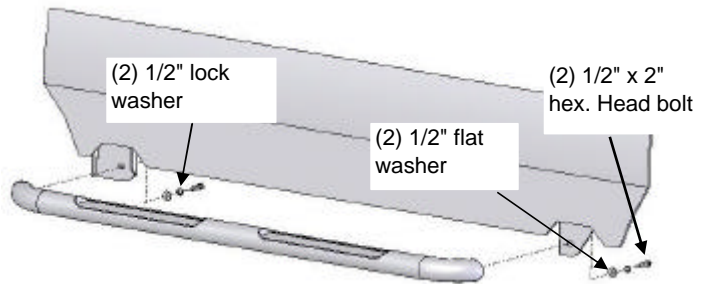


Image 6



Cleaning and care instructions:

Protect the finish with a non-abrasive automotive wax, (e.g. Pure Carnauba) on a regular basis. The use of any soap, polish, or wax that contains an abrasive is detrimental to the finish, as the compounds scratch the finish and cause corrosion.

Diseño:	Calidad:
---------	----------

Revised 15/12/2005

G:\Usuarios\Diseño\Instructivos PDF\37s\37067-I.Pdf