

INSTALLATION INSTRUCTIONS

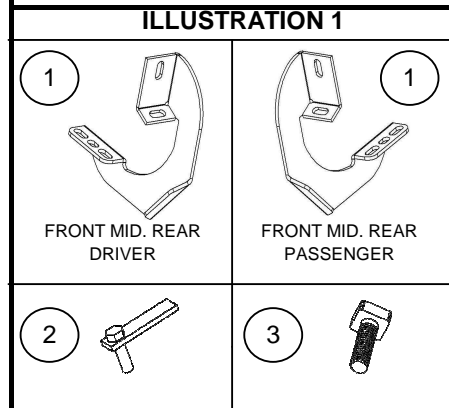
BRACKET	OVAL SIDE BAR WIDESIDER 4"	WHEEL TO WHEEL WIDESIDER 4"	RUNNING BOARD WIDESIDER 5" & 6"	APPLICATION	MODEL
391695	394129	-	39087	FORD F-150 SUPER CAB.	04 - 12
	394169	-	39087	FORD F-150 SUPER CREW	04 - 08
	394269	-	39087	FORD F-150 SUPER CREW	09 - 12
	-	394326	-	FORD F-150 SUPER CREW 5.5'	09 - 12
	-	394327	-	FORD F-150 SUPER CAB. 6.5'	04 - 12
	-	394328	-	FORD F-150 SUPER CREW 5.5'	04 - 08

Parts List:

ITEM	QTY.	CODE	DESCRIPTION	TORQUE
1	3	391694BB	Brackets set (Front & Middle & Rear)	-
2	2	371980EA	3/8" bolt plate	30 Lb/Ft
KTE-391695 Hardware kit including:				
3	12	-	5/16" Square head bolt	11 Lb/t
4	12	-	5/16" Flat washer	-
5	12	-	5/16" Lock washer	-
6	12	-	5/16" Hex nut	11 Lb/t
7	6	-	3/8" Clip nut	-
8	6	-	3/8 x 1 1/4" Hex head bolt	30 Lb/Ft
9	6	-	3/8 x 1 1/4" Carriage head bolt	30 Lb/Ft
10	12	-	3/8" Flat washer	-
11	12	-	3/8" Lock washer	-
12	8	-	3/8" Hex nut	30 Lb/Ft
13	2	-	Gasket vinyl	-
NOTE: 394129(9-66) / 394169(9-66) / 394269(9-66) / 394326(9-6) / 394327(9-6) / 394328(9-6)				
INCLUDES:				
14	1	-	Oval side bar widesider 4"	-

Tools required not including:

DESCRIPTION	QTY
9/16" & 1/2" Hex socket	1
17mm Double hex socket (12 point) or 15mm Wrench	1
Ratchet	1
Ratchet extension	1



Instructions:

Approximated installation time: 30 min.

1. Before beginning the installation read all instructions thoroughly and verify that all hardware is accounted for. If there are any listed parts missing, please notify your distributor immediately.

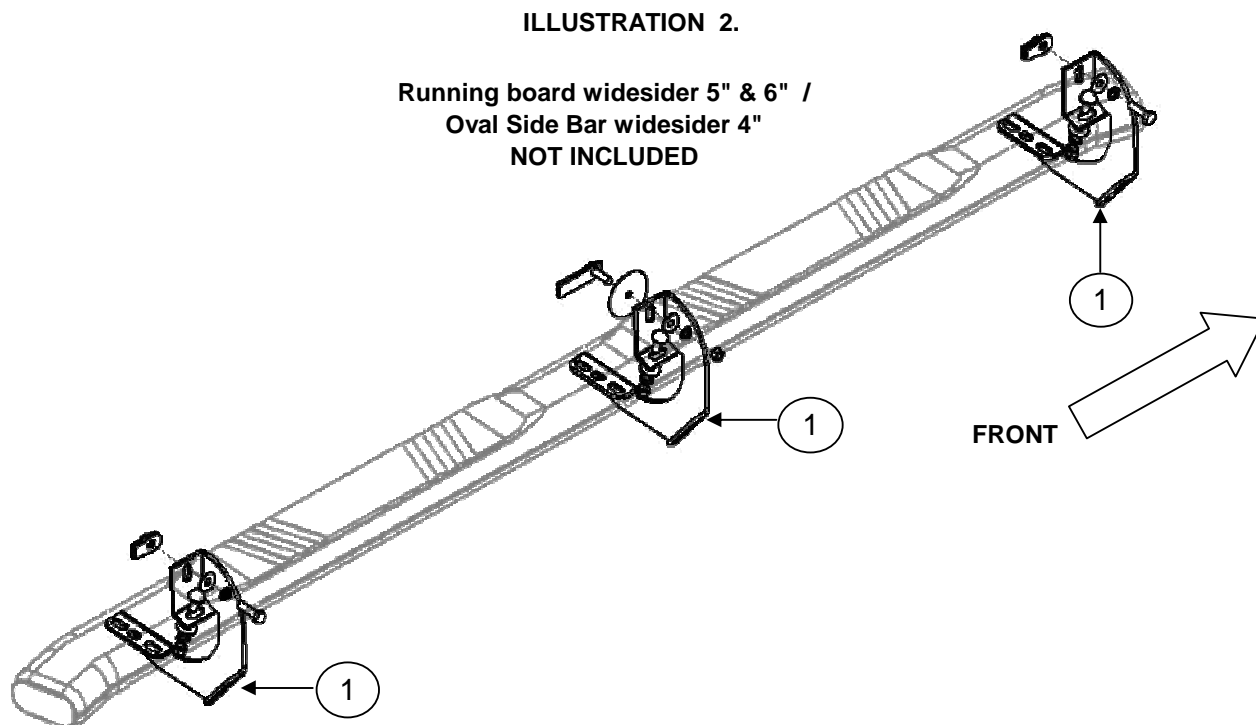


Illustration driver side.

Cleaning and care instructions:

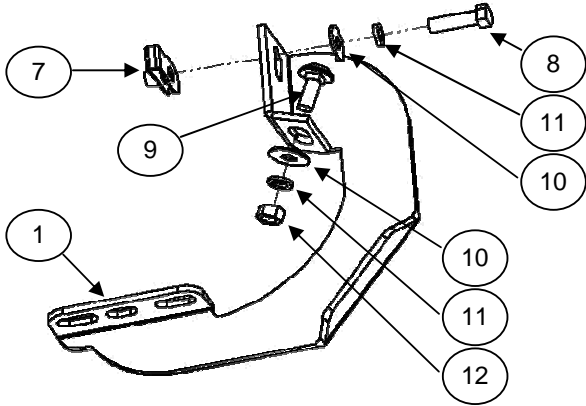
	Design:	Quality:
--	---------	----------

Protect the finish with a non-abrasive automotive wax, (e.g. Pure Carnauba) on a regular basis. The use of any soap, polish, or wax that contains an abrasive is detrimental to the finish, as the compounds scratch the finish and cause corrosion.

INSTALLATION INSTRUCTIONS

2. Located holes inside the body of vehicle, front, middle, rear, place a clip nut in upper part. Mount bracket and attach with: 3/8 x 1 1/4" hex head bolt, 3/8" flat and lock washers. **NOTE 1: Models 2009 - 2012 insert 3/8" bolt plate, gasket vinyl, middle part, attach with: 1 3/8" flat and lock washers, 3/8" hex nut.** In lower part by each bracket attach with: 3/8 x 1" carriage head bolt, 3/8" flat and lock washers, 3/8" hex nut. **SEE ILLUSTRATION 3 & 4.** Leave loose. Repeat in opposite side.

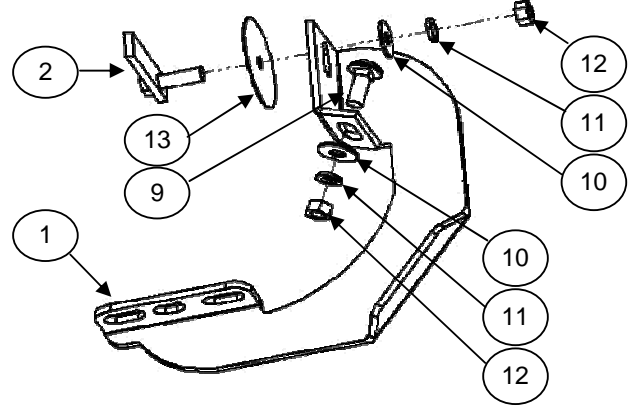
ILLUSTRATION 3



Use ratchet & 9/16" hex socket.

In models 09 - 12 front and rear part. Driver side.
In models 04 - 08 front, middle and rear part. Driver

ILLUSTRATION 4



Use ratchet & 9/16" hex socket.

In models 09 - 12 middle part. Driver side.

3. If you acquired a Running board widesider 5" & 6", insert 5/16" square head bolt on rail, place on brackets and attach with: 5/16" Flat and lock washer, 5/16" hex nut. **SEE ILLUSTRATION 5.** Repeat for the opposite side. Leave loose.
4. If you acquired a Oval side bar widesider 4", place on brackets and attach with: 5/16" square head bolt, 5/16" Flat and lock washer. **SEE ILLUSTRATION 6.** Repeat for the opposite side. Leave loose.
5. Align Running board widesider 5" & 6" or Oval side bar widesider 4" and then tighten all bolts.
6. Do not use abrasive substances to clean your product.
7. Periodically check your product because it may need a re-tighten of bolts.
8. Fill the warranty card and place it inside your vehicle's glove box.

ILLUSTRATION 5

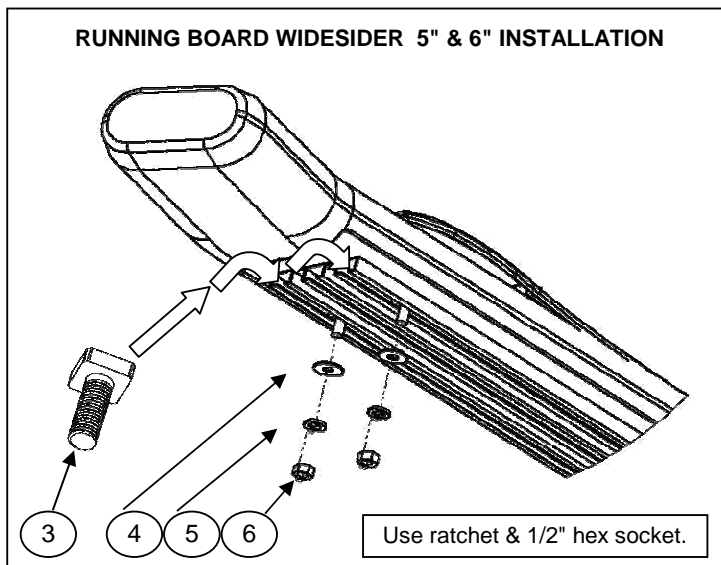
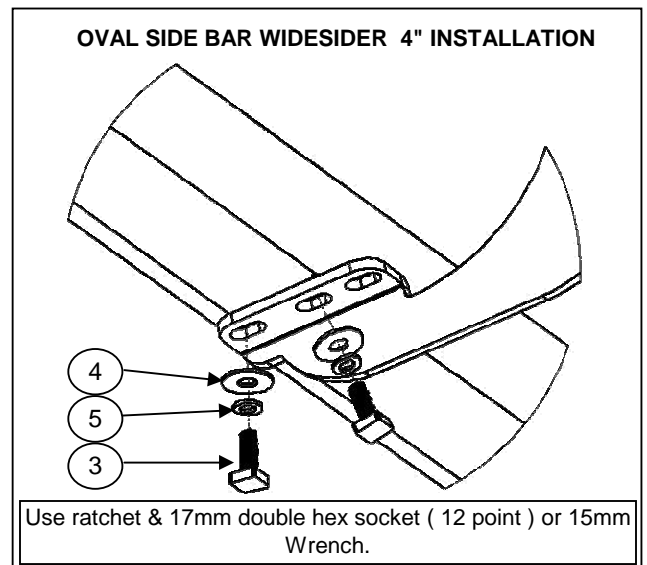


ILLUSTRATION 6



Cleaning and care instructions:

Protect the finish with a non-abrasive automotive wax, (e.g. Pure Carnauba) on a regular basis. The use of any soap, polish, or wax that contains an abrasive is detrimental to the finish, as the compounds scratch the finish and cause corrosion.

Design:

Quality: