



INSTALLATION INSTRUCTIONS CHEVROLET TAHOE

TOOLS REQUIRED FOR INSTALLATION:

- Jack and Jack Stands (Optional)
- Glass Cleaner
- Utility Knife
- Tape Measure

IMPORTANT: READ BEFORE BEGINNING INSTALLATION

Verifying Fit - Flares should be held to the vehicle surface to verify correct type and fit BEFORE beginning installation or painting. The inner flare edge should be in contact with the wheel well rim, and the outer flare edge should conform to vehicle fender contours. Small fit adjustments can be made by trimming (filing, sanding or scraping) excess plastic.

Performance - Using larger tires may increase the area required to turn the vehicle. Some Tire/Rim combinations may require lowering bump stops and/or installing steering stops to prevent tire shoulders from contacting flare.

Exhaust System - Modifications may be necessary to maintain a minimum 4" clearance between flares and exhaust pipes. Exhaust gases should not vent directly onto flares.

DO NOT USE: Loctite, SuperGlue, or similar products on the hardware or the flares.

FLARE INSTALLATION PROCEDURES

Step 1: Painting (Optional)

It is recommended that painting (when desired) be done prior to installation.

- (A) Sand (optional) before application of paint.
- (B) Clean outer surface with a good grade degreaser. DO NOT USE LACQUER THINNER OR ENAMEL REDUCER AS A DEGREASER. Wipe outer surface thoroughly with a tack rag prior to painting.
- (C) Paint flares using a high quality lacquer, enamel, or polyurethane automotive paint. Application of a primer coat is optional.
- (D) If painting edge trim (not recommended), use a flex additive.

Step 2: Preparing the Work Area (Front and Rear)

- (A) Support and remove wheel using jack and jack stands. (Optional)
- (B) Remove factory fender trim and mud flaps (when installed).

Step 3: Edge Trim Installation (See Illustration #1)

- (A) Peel two to three inches of red vinyl backing away from edge trim tape. Applying the adhesive side of the edge trim to the inner side of the flare, affix the edge trim to the top edge of the flare (the portion that comes in contact with the side of the vehicle).

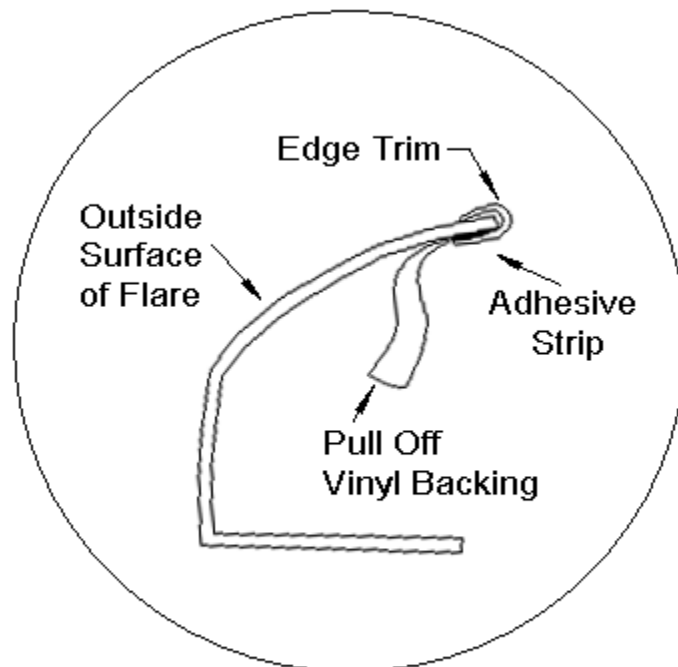


Illustration #1

- (B) Press edge trim into place along the top edge of the flare in one-foot increments, pulling red vinyl backing free as you continue to work your way around the top edge of the flare.

Step 4: Front Flare Installation

- (A) Using moderate pressure, hold the flare in the wheel well opening, aligning it with the vehicle body and the holes in the fender. See Illustration #2.
- (B) Starting at top center, insert the plastic "Tufloks®" through the holes in the flare, and push the screw part in to fasten. See Illustration #3.

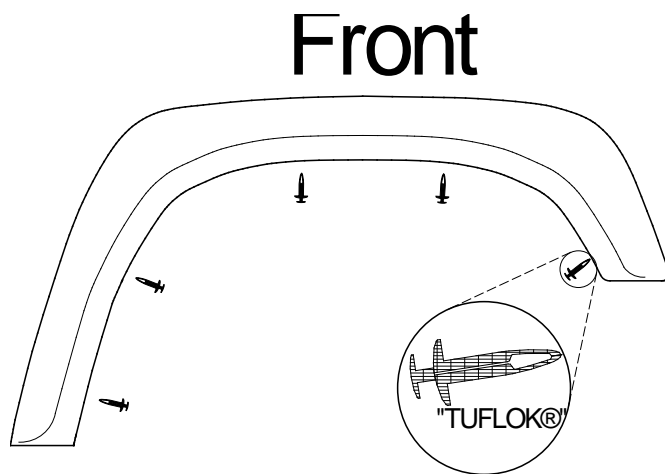


Illustration #2

Step 5: Rear Flare Installation

(A) Main Rear Flare (See Illustration #3)

1. Hold the Main Rear Flare in the wheel opening, aligning it with the hole locations.
2. Starting near the style line in the body, insert the plastic "Tufloks®" through the holes in the flare and push the screw part in to fasten.

(B) Door Piece Installation (See Illustration #4)

1. With the door closed, apply a strip of double stick tape to the outside of the door along the edge, and peel the red vinyl backing away from the tape. (See illustration # 5)
2. Aligning the door piece with the vehicle body lines, the Main Rear Flare and the door seam, place the Door Piece on the door over the double stick tape and press firmly into position.
3. While holding the flare in position, open the door and adhere the supplied mylar tabs on the door lip covering the slots in the door piece. (See Illustration #5)
4. Install the supplied barbed clips by pushing the long side of the clip into the slot of the flare, while also tucking the mylar tab into the slot and over the edge of the door.
5. Close the door and verify alignment of the door piece with the vehicle bodylines, the door seam, and the Main Rear Flare. Adjust if necessary.

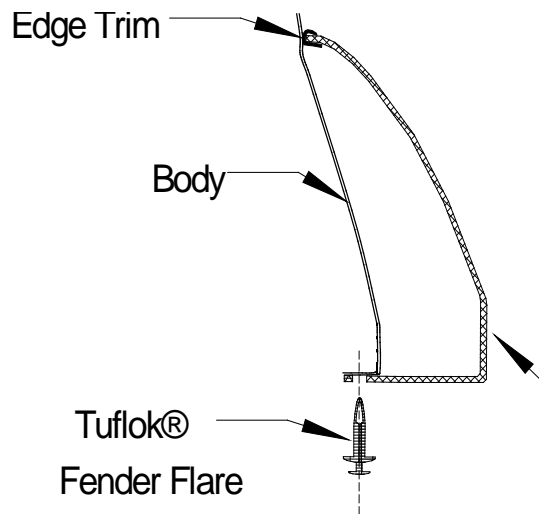


Illustration #3
Main Flare Cross Section

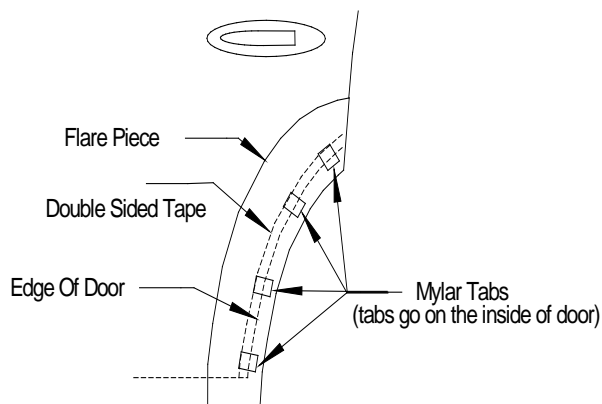


Illustration #5

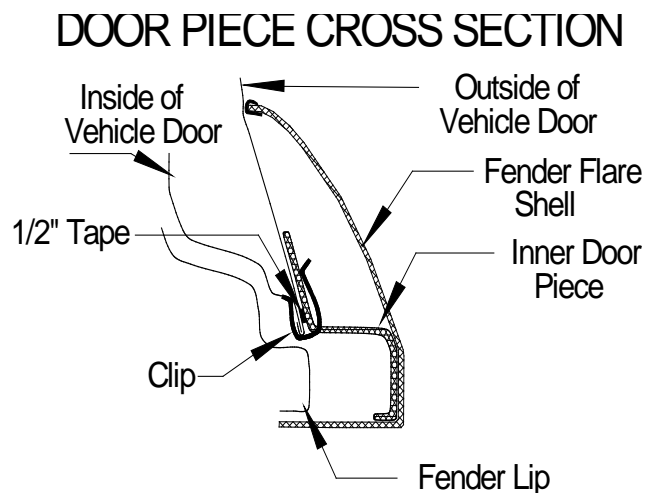


Illustration #4