

## FORD F-150 WITHOUT FACTORY FENDER FLARES

### FRONT MUD GUARD INSTALLATION INSTRUCTIONS

*Please read instructions thoroughly before installation.*

#### Tools Required

- 1/8" drill bit / Drill
- Short #2 Phillips screwdriver
- Center punch

#### Package Contents

- Driver & passenger side front mud guard
- #10 screw (qty. 4)
- Washers (qty. 4)
- U-clip (qty. 2)
- Spacer (qty. 2)
- Instruction sheet

**NOTE:** Turn the front wheels all the way to the left or right for mud guard installation. However, it may be necessary to remove the wheels depending on the tools being used for installation.

1. Clean and degrease the mud guard location area on the fender before installation.
2. Remove existing fasteners from locations B and C (Figure 1).
3. Attach mud guard to front fender using existing fasteners at locations B and C, check fit and make sure mud guard is parallel to ground before tightening.
4. Using the mud guard as a template mark, center punch and drill 1/8" hole at location A and D (Figure 1).
5. Install #10 screw and washer at location A.
6. Install #10 screw and washer at location D, thru mud guard, spacer, fender liner and into a U-clip. **DO NOT CLIP U-CLIP OVER FENDER LINER – THE U-CLIP ACTS AS A NUT AND IS PLACED ON THE BACKSIDE OF LINER.**

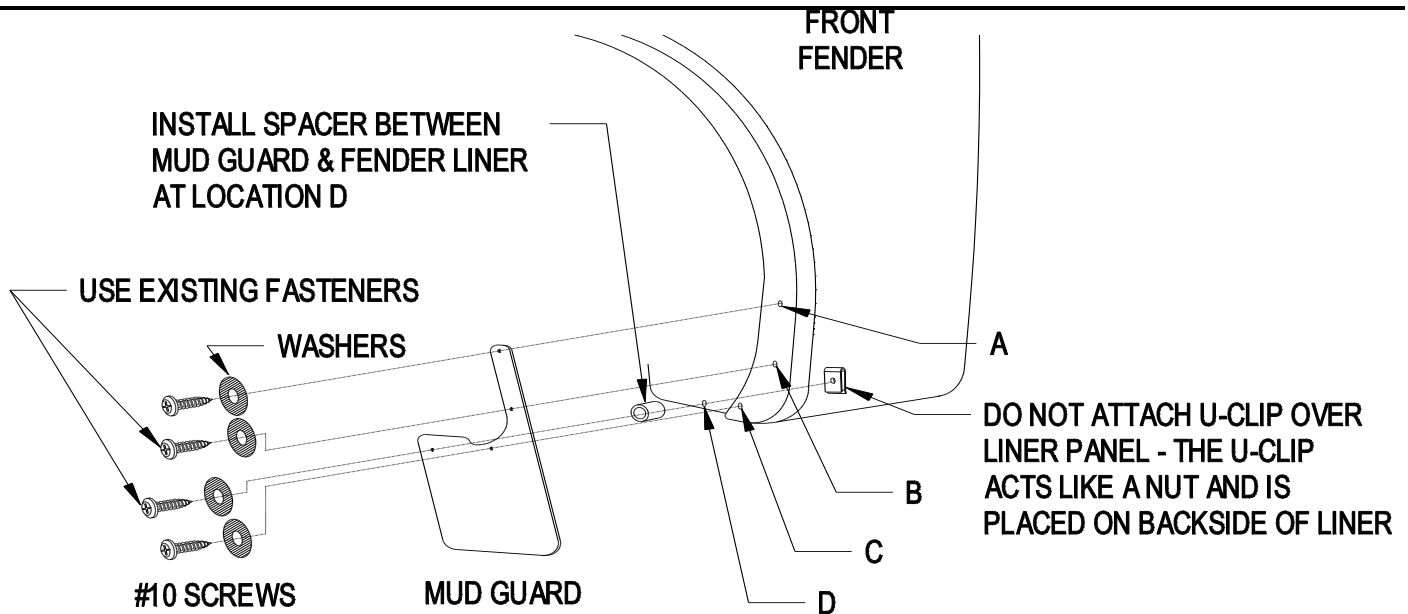


Figure 1

**NEED A LOGO FOR YOUR NEW MUD GUARD? TRY AN INTERNET SEARCH FOR "EMBLEM" ON E-BAY, AMAZON OR YOUR FAVORITE AUTOMOTIVE SITE.**