

MSD INSTALLATION INSTRUCTIONS

MSD LS Coil Covers PN 2970, PN 29701, PN 2971, PN 29711, PN 2972 and PN 29721

ONLINE PRODUCT REGISTRATION: Register your MSD product online. Registering your product will help if there is ever a warranty issue with your product and helps the MSD R&D team create new products that you ask for! Go to www.msperformance.com/registration.

Parts Included:

4 - Coil Cover Mounting Brackets
4 - Fuel Rail Mount Clips
8 Coil Mounting Bracket Bolgs
12 Fuel Rail Mount Clip Screws

Parts needed but not included:

MSD Atomic LS EFI fuel rails and fuel rail covers

WARNING

Installation of this product requires detailed knowledge of automotive systems and repair procedures. Installation of fuel system parts and any fuel tank modifications must be carried out by a qualified automotive technician. Installation of fuel system parts requires handling of gasoline. Ensure that work is performed in a well ventilated area with an approved fire extinguisher nearby. Extinguish all open flames, prohibit smoking and eliminate all sources of ignition in the area of the vehicle before beginning the installation.

When working with fuel systems, eye goggles and other safety apparel should be worn to protect against debris and sprayed gasoline. The finished work must be thoroughly checked to ensure there are no fuel leaks.

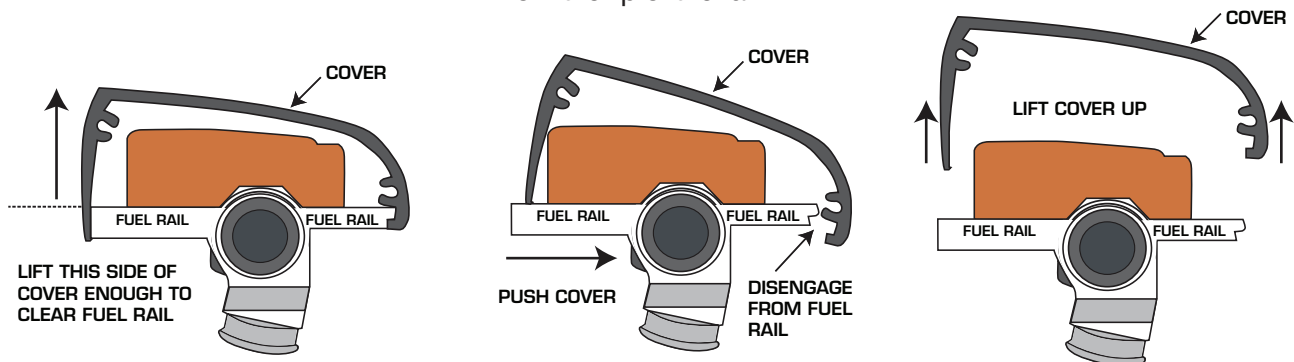
INSTALLATION OF MOUNTING HARDWARE

Installation will require removal of the Atomic LS fuel rails from the engine if they are already installed.

REMOVAL OF THE ATOMIC LS FUEL RAIL COVERS

Follow these steps to remove both covers. To install the covers reverse the steps.

1. Remove the 4 screws holding the covers to the fuel rail and lift the cover to clear rail.
2. When the cover is clear of the fuel rail push the cover towards the manifold until it disengages from the lip of the rail
3. Lift the cover straight up.



REMOVAL OF THE ATOMIC LS FUEL RAILS:

Note: Disconnect the negative battery terminal before performing the removal procedure. Caution should be taken when disassembling the fuel rails assembly. Be prepared to catch fuel when removing fuel lines.

Disconnect the fuel lines from the fuel rails. Disconnect all of electrical connectors from the fuel rails. Remove the eight fuel rail retaining bolts and gently pull the rails away from the manifold.

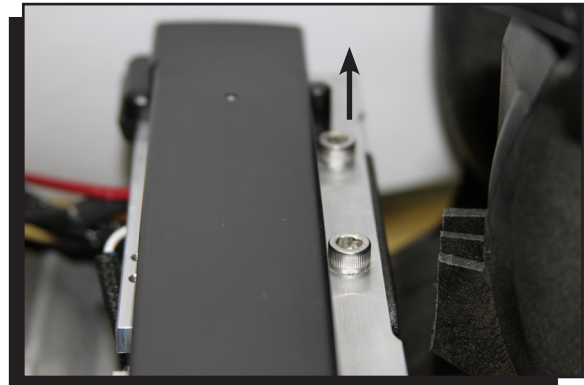


Figure 1

Turn the fuel rail upside down, and install two fuel rail mount clips on each fuel rail using the supplied screws Figure 2. Torque the fuel rail mounting clip screws to XX lb-in.

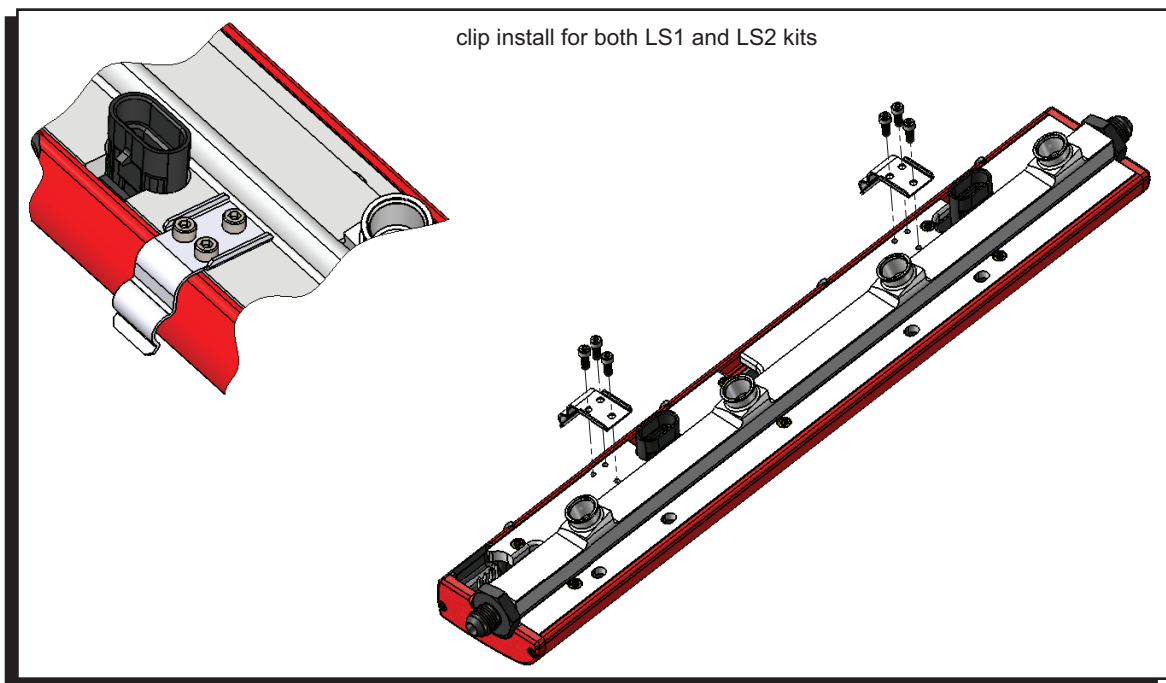


Figure 2

REINSTALLATION OF THE FUEL RAILS IS THE REVERSE OF REMOVAL.

Note: Check for fuel leaks before attempting to start the engine or finish the installation. Reconnect the battery negative cable and cycle the ignition a few times to allow fuel pressure to build in the lines.

COIL COVER BRACKET INSTALLATION:

Unbolt the coils for cylinders #1, #2, #5, #6. Remove the coil retainer bolts, place the brackets over the coils and reinstall the bolts. Ensure the open end of the brackets face towards the front of the engine. Torque the bolts to XX ft-lb (Figure 3).

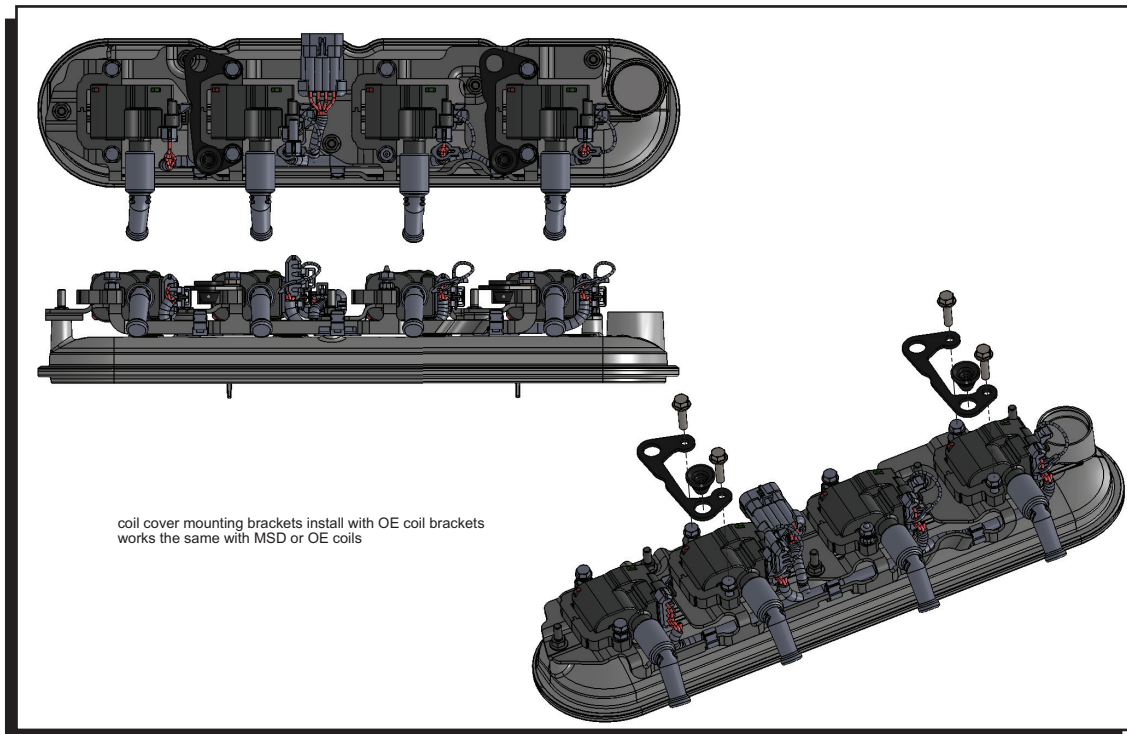


Figure 3

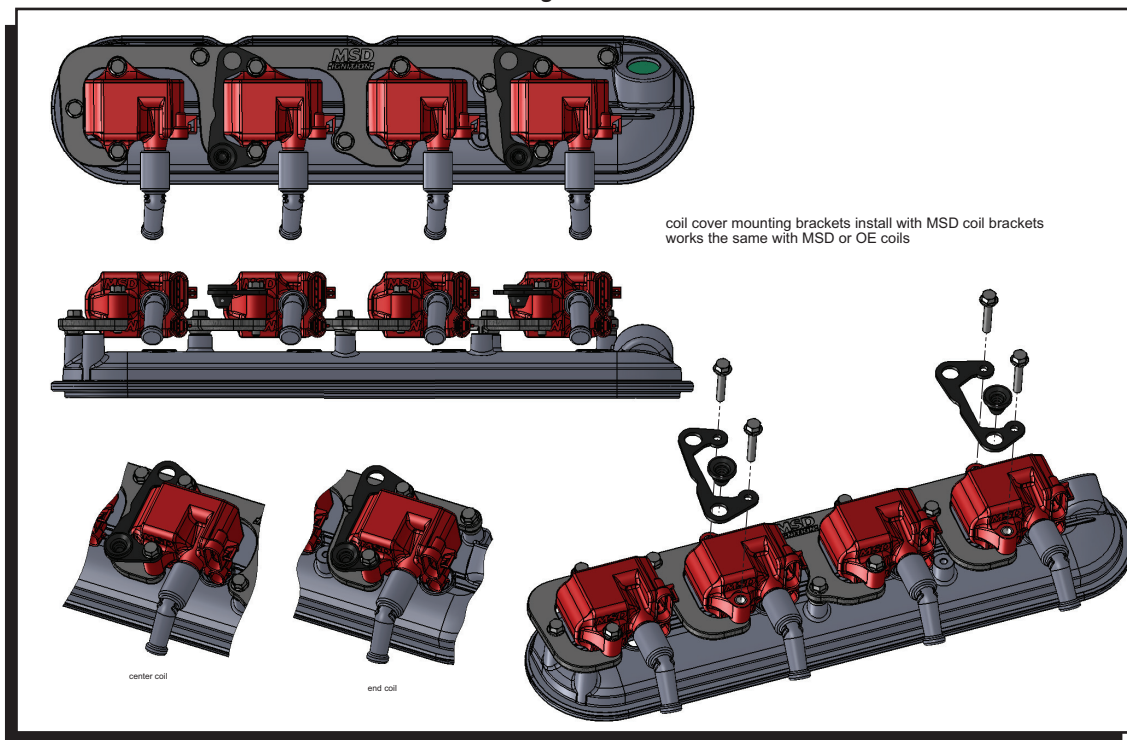


Figure 4

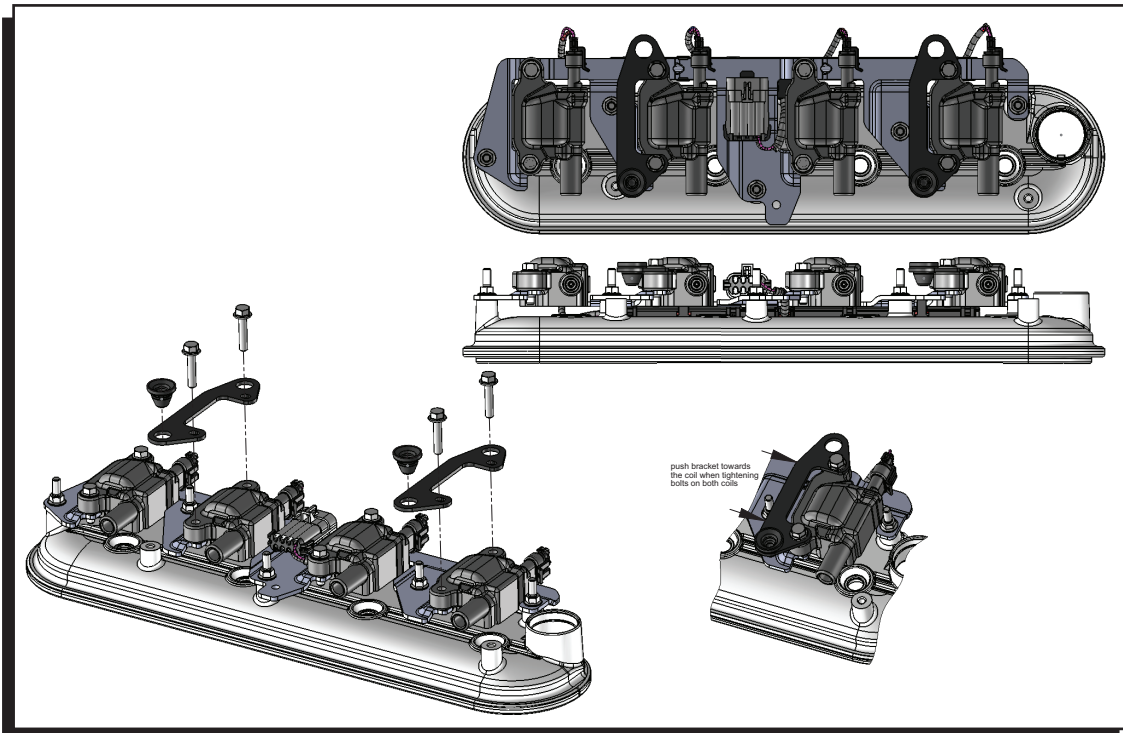


Figure ?

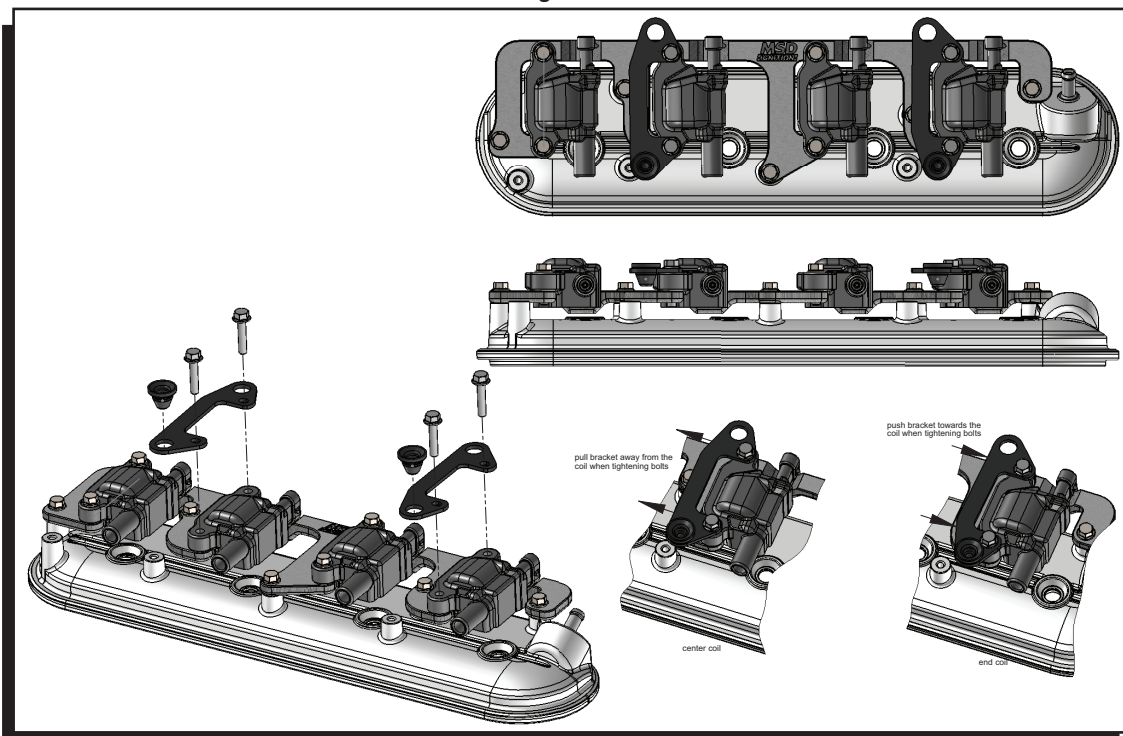


Figure ?

MOUNTING THE COIL COVERS:

Position the cover horizontally centered against the fuel rail cover. Press the top parts of the cover. The cover should snap into the fuel rail retaining clips (Figure ?).

Press the bottom cover down until the balls cast into the cover plate snap into the rubber grommet (Figure ?).

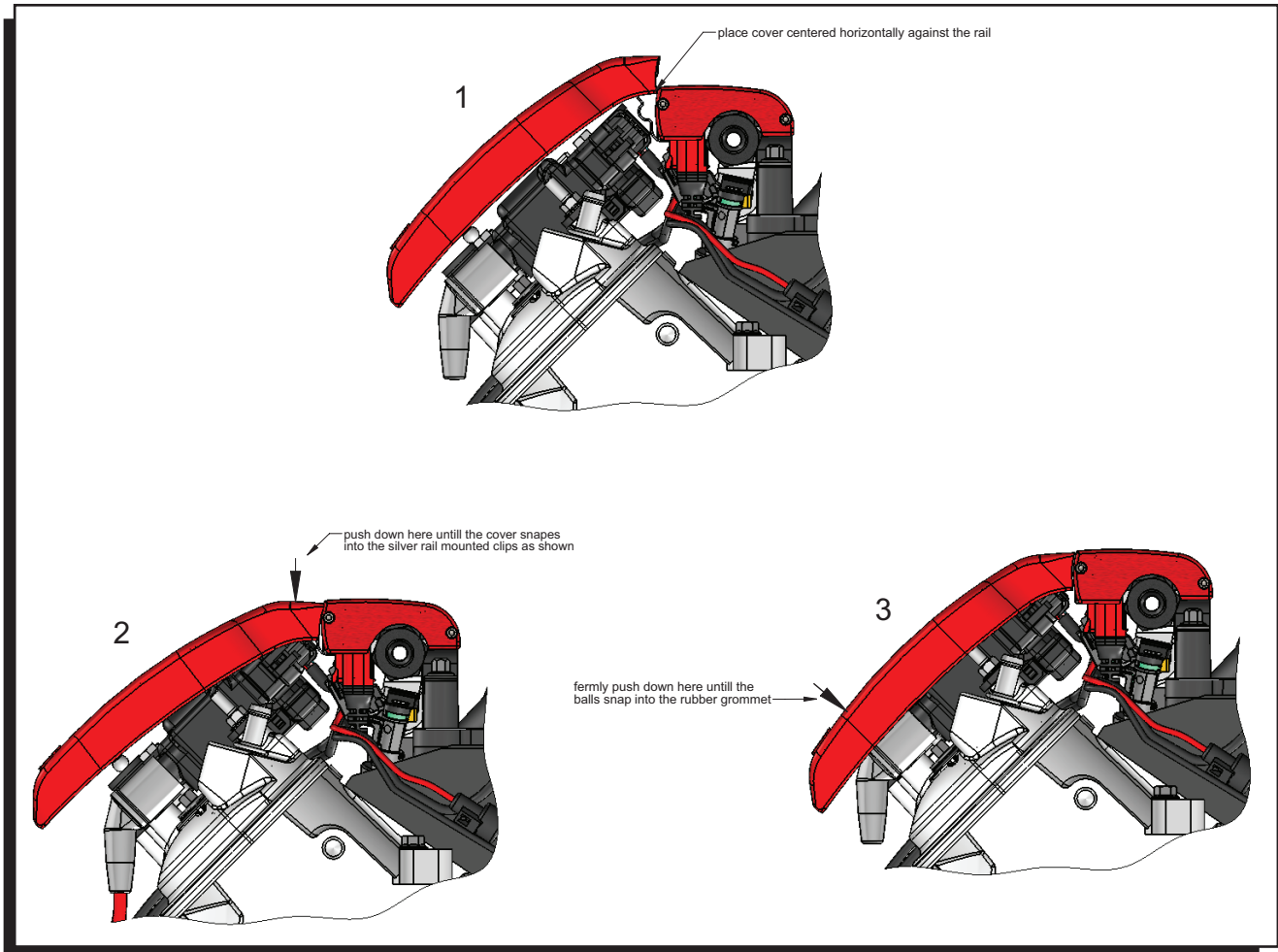


Figure ?

TECH NOTES

Service

In case of malfunction, this MSD component will be repaired free of charge according to the terms of the warranty. When returning MSD components for warranty service, **Proof of Purchase** must be supplied for verification. After the warranty period has expired, repair service is based on a minimum and maximum fee.

All returns must have a Return Material Authorization (RMA) number issued to them before being returned. To obtain an RMA number please contact MSD Customer Service at 1 (888) MSD-7859 or visit our website at www.msdpowerperformance.com/rma to automatically obtain a number and shipping information.

When returning the unit for repair, leave all wires at the length in which you have them installed. Be sure to include a detailed account of any problems experienced, and what components and accessories are installed on the vehicle. The repaired unit will be returned as soon as possible using Ground shipping methods (ground shipping is covered by warranty). For more information, call MSD at (915) 855-7123. MSD technicians are available from 7:00 a.m. to 5:00 p.m. Monday - Friday (mountain time).

Limited Warranty

MSD warrants this product to be free from defects in material and workmanship under its intended normal use*, when properly installed and purchased from an authorized MSD dealer, for a period of one year from the date of the original purchase. This warranty is void for any products purchased through auction websites. If found to be defective as mentioned above, it will be repaired or replaced at the option of MSD. Any item that is covered under this warranty will be returned free of charge using Ground shipping methods.

This shall constitute the sole remedy of the purchaser and the sole liability of MSD. To the extent permitted by law, the foregoing is exclusive and in lieu of all other warranties or representation whether expressed or implied, including any implied warranty of merchantability or fitness. In no event shall MSD or its suppliers be liable for special or consequential damages.

*Intended normal use means that this item is being used as was originally intended and for the original application as sold by MSD. Any modifications to this item or if it is used on an application other than what MSD markets the product, the warranty will be void. It is the sole responsibility of the customer to determine that this item will work for the application they are intending. MSD will accept no liability for custom applications.