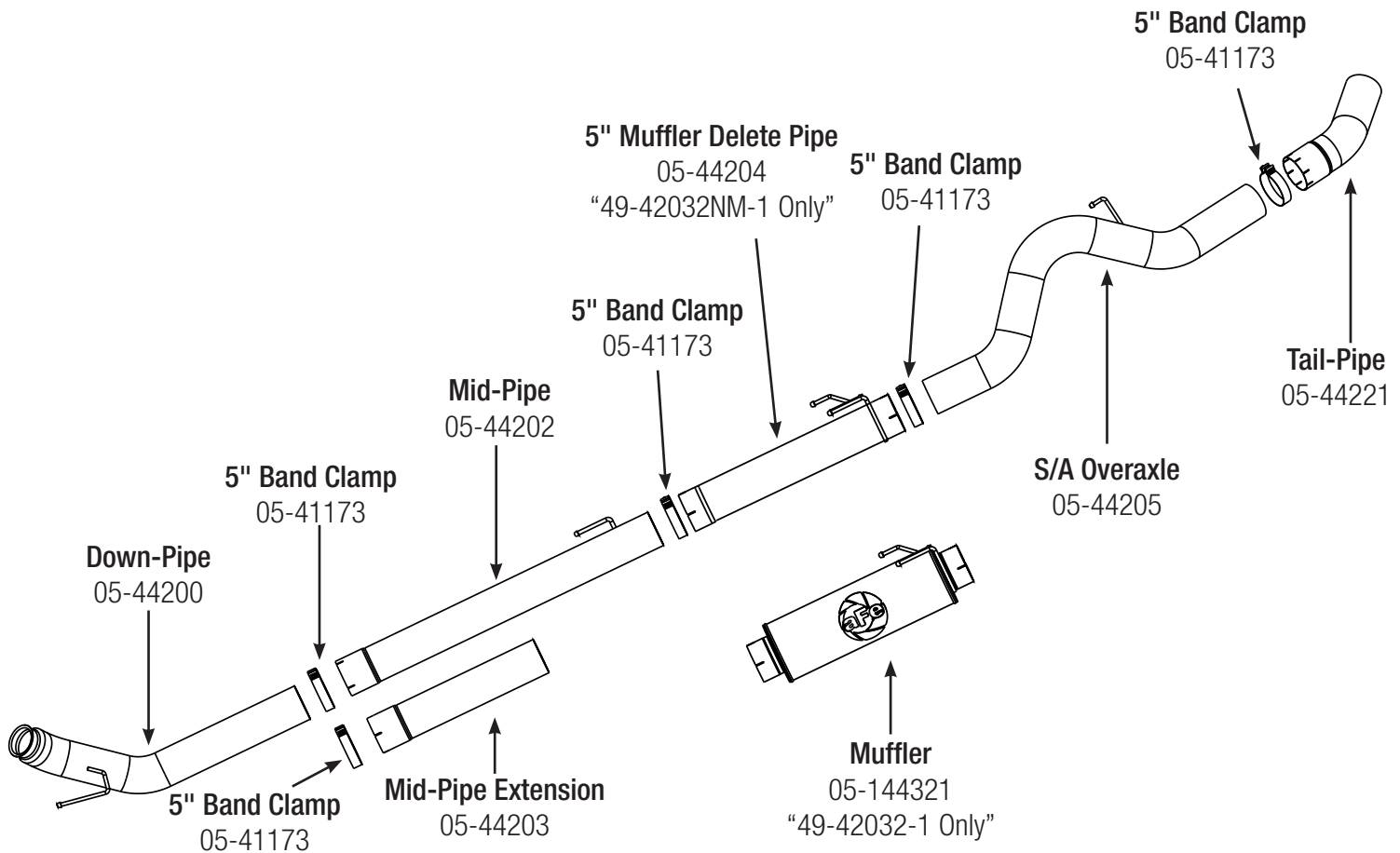




## INSTALLATION INSTRUCTIONS

**MAKE:** Dodge  
**MODEL:** RAM 2500 / 3500  
**YEAR:** 2003-2004  
**ENGINE:** L6-5.9L (td) Cummins  
**WHEELBASE:** All (Will NOT fit Cab & Chassis)  
**NOTE:** Works with aFe turbine elbow replacement only (46-60057)

**5" Turbo-Back**  
**49-42077**  
**49-42077NM**



**Step 1: (Read Instructions prior to installation)** Loosen mounting flange at rear of particulate filter before muffler. Remove the stock exhaust from the rear of the truck working your way forward. Take caution not to damage the factory isolation mounts as they will be reused. **It is recommended to not fully tighten the clamps until the entire system has been installed.**

**Step 2:** For faster installation spread the pieces of the exhaust along side of your vehicle according to the diagram shown.

**Step 3:** Install the down-pipe first. Install the mid-pipe with the band clamp. Be sure to select the correct mid-pipe depending on the wheelbase length. Longer wheelbases (160.5") will use both mid-pipes.

**Step 4:** Install the muffler using the two clamps indicated.

**Step 5:** Utilizing the factory isolation mounts now install the overaxle tube, then install the tailpipe with clamp.

**Step 6:** Install the exhaust tip on the tailpipe. Adjust for alignment and tighten all connections. Your installation is now complete. It is recommended to re-tighten all exhaust components after the first 50-100 miles.

### NOTES:

- aFe recommends that the tailpipe be at least 1/2"-1" away from any body panels to avoid heat related body damage. **Tighten and secure.**

**Caution:** Allow time for your vehicle to cool down prior to installation. When working on or under your vehicle proceed with caution. Exhaust systems reach high temperatures and may cause serious burns. Wear protective safety equipment; eye goggles and gloves to ensure a safe installation. **aFe recommends professional installation on our products.**