

advanced FLOW engineering Stage-2 Air Intake

Instruction Manual P/N: 51/54/75-82032

Make: **Dodge** Model: **RAM 2500/3500** Year: **2010-2012** Engine: **L6-6.7L (td) Cummins**



- Please read the entire instruction manual before proceeding.
- Ensure all components listed are present.
- If you are missing any of the components, call customer support at 951-493-7100.
- Ensure you have all necessary tools before proceeding.
- Do not attempt to work on your vehicle when the engine is hot.
- Disconnect the negative battery terminal before proceeding.
- Retain factory parts for future use.

Label	Qty.	Description	Part Number
A	1	Housing	05-82032B2
B	1	Pro-GUARD 7 Air Filter	72-91055 (Gold Media)
C	1	Cover	05-82032B3
D	7	Button Head Screws	03-50217
E	1	Insert, MAS Flow	05-01153
F	2	Clamp, 080	03-50011
G	1	Coupling, Hump	05-01255
H	1	Tube	05-82032B1
I	3	Screw, Cheese Head	03-50221
J	1	Grommet	03-50167
K	1	Coupling, Turbo Adaptor	05-01185
L	1	Clamp, T-Bolt	03-50261
M	1	Plug	05-01192

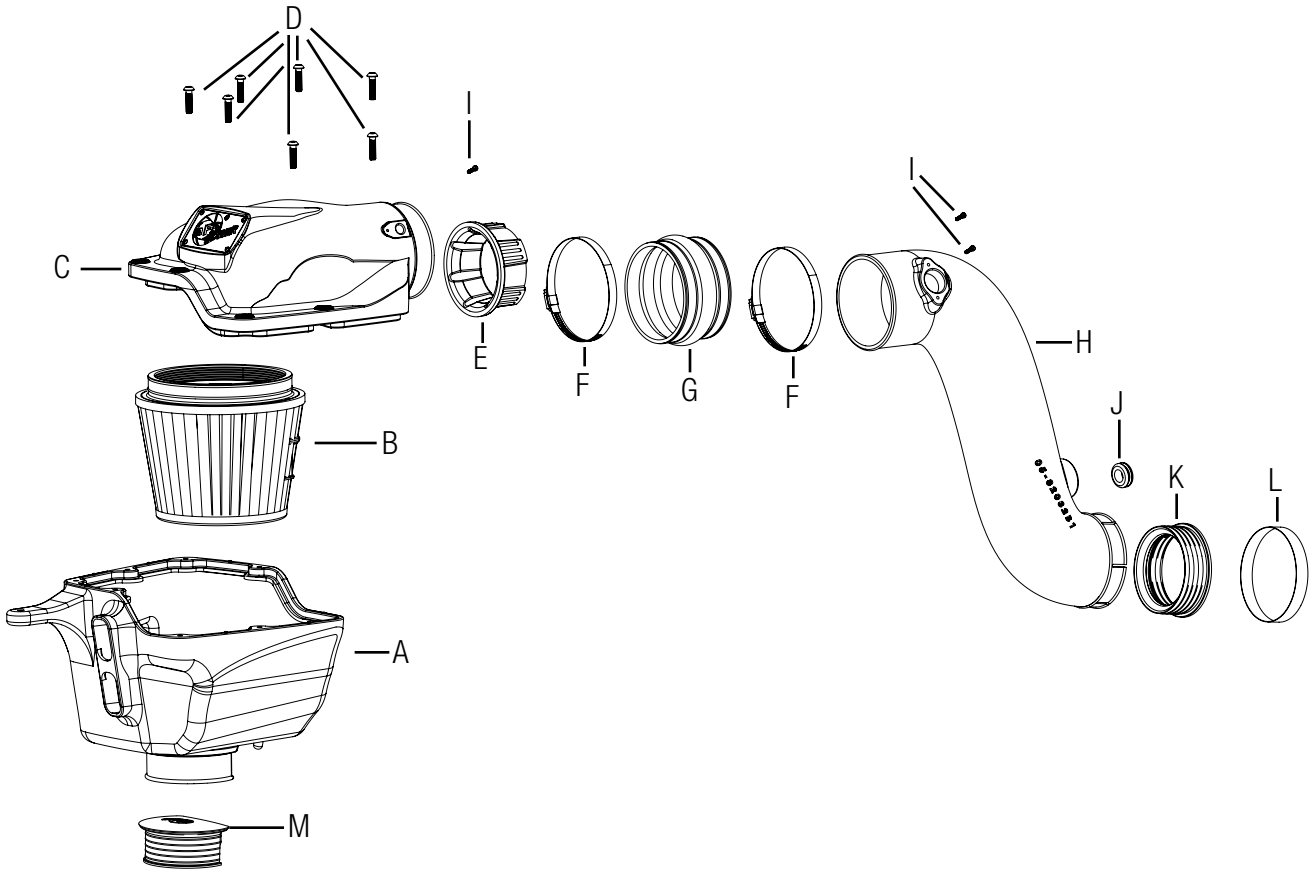




Figure A

Refer to Figure A for Steps 1-2

Step 1: Remove the bolt holding the air box down. ①

Step 2: Disconnect the wiring harness from the Mass air flow sensor and temperture sensor. ②

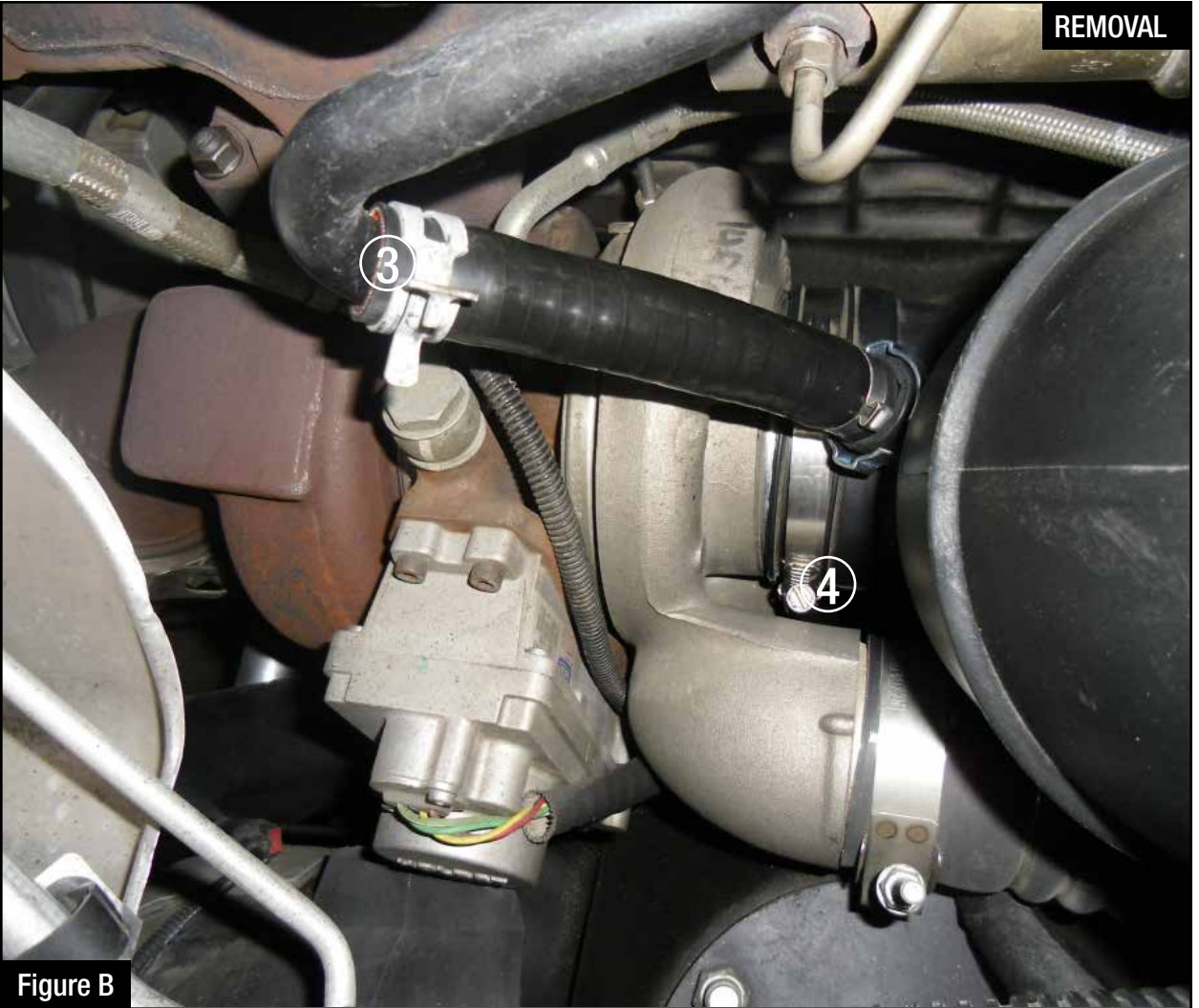


Figure B

Refer to Figure B for Steps 3-4

Step 3: Disconnect the crank case vent line (3) using pliers.

Step 4: Loosen the clamp holding the intake tube to the turbocharger (4) and lift the entire intake system out of the vehicle.



Figure C

Refer to Figure C for Steps 6

Step 6: Install aFe housing into truck. Re-install and tighten OE Screw (removed on step 2).



Figure D

Refer to Figure D for Steps 7-10

Step 7: Remove the MASS air flow sensor from your OE intake tube and install to your new aFe intake tube using supplied M4 screws. (5)

Step 8: Remove crank case vent line from your factory intake tube by prying open the metal clamp with a flat blade screwdriver.

Step 9: Install the supplied grommet into the intake tube and firmly push the crank case fitting into it for a snug seal. (6)

Step 10: Install t-bolt clamp between beads at end of the tube. Do tighten clamp. (7)

**Figure E****Refer to Figure E for Steps 11-13**

Step 11: Remove the temp sensor from your OE intake tube and install it on the aFe cover using supplied M4 screw. (8)

Step 12: Install coupling and clamps on cover. Do not tighten clamp.

Step 13: Connect air filter to cover using clamp. Tighten clamp.

**Figure F****Refer to Figure F for Steps 14-16**

Step 14: Install silicone turbo adaptor onto turbo. (9)

Step 15: Slide tube over turbo adaptor. Make sure tube slides completely over turbo.

Step 16: Re-attach the crank case line removed in step 3. (10)



Figure G

Refer to Figure G for Steps 17-22

Step 17: Connect cover to tube using coupling and install cover on housing.

Step 18: Bolt cover to housing using 7 button head screws.

Step 19: Tighten clamps on coupling and t-bolt clamp on turbo.

Step 20: Re-connect MAF and temp sensor harness.

Step 21: Re-connect batteries.

Step 22: Verify all connections are secure, your installation is now complete.

NOTE: Verify all connections are secured after 100-200 miles. Place enclosed CARB EO sticker on or near the intake system on a smooth/clean surface. EO identification label is required to pass the smog test inspection.

Pro-GUARD 7 Air Filter



P/N: 72-91055

Gold Squeeze Restore Kit



P/N: 90-50500

Gold Aerosol Restore Kit



P/N: 90-50000

aFe Power Hat



P/N: 90-59999

To purchase any of the items above, view airflow charts, dyno graphs, photos, and video; please go to aFepower.com.



Warranty

General Terms:

- aFe warrants their products to be free from manufacturer's defects due to workmanship and material.
- This warranty applies only to the original purchaser of the product and is non-transferrable.
- Proof of purchase of the aFe product is required for all warranty claims.
- Warranty is valid provided aFe instructions for installation and/or cleaning were properly followed.
- Proper maintenance with regular inspections of product is required to insure warranty coverage.
- Damage due to improper installation, abuse, unauthorized repair or alteration is not warranted.
- Incidental or consequential damages or cost, including installation and removal of part, incurred due to failure of aFe product is not covered under this warranty.
- All warranty is limited to the repair and/or replacement of the aFe part. To request Return Goods Authorization ("RGA"), email RGA@afepower.com or call (951)493-7100. Upon receipt of the RGA, you must return the product to the address provided in the RGA, freight prepaid and accompanied with a dated proof of purchase and the RGA. Upon receipt of the defective product and upon verification of proof of purchase, aFe will either repair or replace the defective product within a reasonable time, not to exceed thirty days.

Product Category	P/N Prefix	Warranty duration
Direct OE Replacement Filters	10, 11, 30, 31, 71, 73	Life of the vehicle
Racing Filters	18	1 year
Universal	21, 24, 72, TF	2 years
Air Intake Systems	50, 51, 54, 55, 75, TR, TA, TL	2 years
Exhaust Systems	49	2 years
Intercoolers & Intercooler Tubes	46-2	2 years
Intake Manifolds	46-1	2 years
Differential Cover	46-7	Life of the vehicle
Exhaust Manifolds	46	2 years
Throttle Body Spacers	46-3	2 years
Turbochargers	46-6	2 years*
Fluid Filters	44	90 days
Pre-Filters	28	2 years
Heavy Duty OE Replacement	70	2 years
PowerSports OE Replacement	81, 87	2 years
PowerSports Intake Systems	85	2 years

No other warranty expressed or implied applies nor is any person or advanced FLOW engineering authorized to assume any other warranty. Some States do not allow the exclusion or limitation of incidental or consequential damages or do not allow limitations on how long an implied warranty lasts, so the above limitations or exclusions may not apply to you. This warranty gives you specific legal rights, and you may also have other rights which vary from State to State.

*See turbocharger warranty for more information.

Page left blank intentionally



Page left blank intentionally

Page left blank intentionally



advanced FLOW engineering, inc.
252 Granite Street Corona, CA 92879
TEL: 951.493.7100 • TECH: 951.493.7100 x3
E-Mail: Tech@aFepower.com