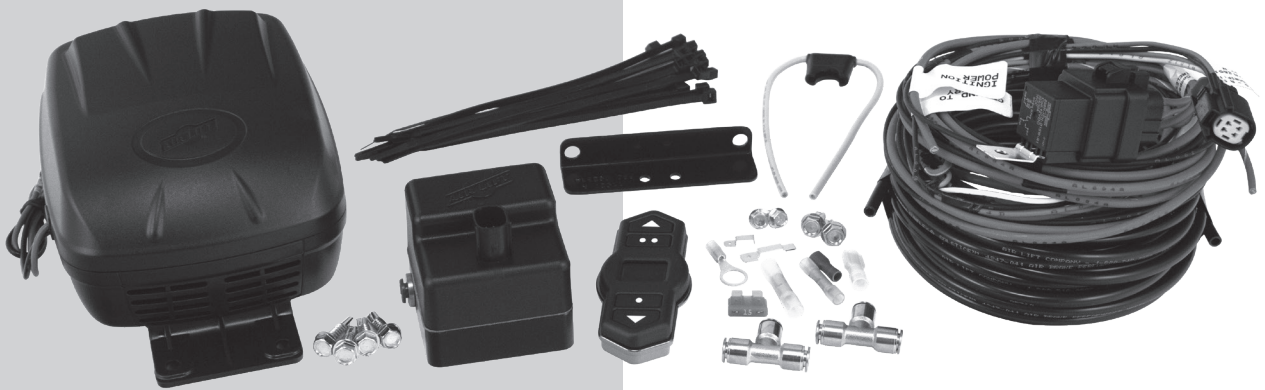


WirelessONE™
by AIR LIFT.

Kit 25870

Key Fob-Activated Compressor System



INSTALLATION GUIDE

For maximum effectiveness and safety, please read these instructions completely before proceeding with installation.

Failure to read these instructions can result in an incorrect installation.

TABLE OF CONTENTS

Introduction	2
System Information	2
Important Safety Notice	2
Notation Explanation	2
Installation Schematics	3
Electrical Schematic	3
Pneumatic Schematic	4
Installation Diagram	5
Hardware List	5
Tools List	5
Installing the WirelessONE System	6
Recommended Compressor Locations	6
Installing the Compressor	6
Installing the Manifold	7
Installing the Harness	8
Attaching the Air Lines	8
How to Remove and Install the Batteries in the Remote Control Unit	9
Operational Modes	10
Normal Mode.	10
Settings Mode.	10
Saving and Recalling Memory 1	11
Saving and Recalling Memory 2	11
Saving and Recalling Memory 3	11
How to Sync the Receiver to the Transmitter	12
Checking the System	12
FCC Information to User	12
Important: To Avoid Cold Weather Freeze-up	13
Drilling Template Verification	14
Templates	15
Limited Warranty and Return Policy	17
Replacement Information	17
Contact Information	17

Introduction

The purpose of this publication is to assist with the installation, maintenance and troubleshooting of the WirelessONE System.

It is important to read and understand the entire installation guide before beginning installation or performing any maintenance, service or repair. The information here includes a hardware list, step-by-step installation information, safety information and a troubleshooting guide.

Air Lift Company reserves the right to make changes and improvements to its products and publications at any time. Contact Air Lift Company at (800) 248-0892 for the latest version of this manual.

SYSTEM INFORMATION

WirelessONE is designed for automatic digital leveling of the on-board compressor system. The kit includes a compressor, manifold, wiring harness, and wireless digital controller. The system can be used in or outside the vehicle, for adjustments in full view of the vehicle.

The wireless digital controller is a compact, battery powered unit. It also includes a clip that can be attached to the vehicle's visor. Three user-defined memory settings are provided for frequently used settings. As an added safety measure, minimum air pressures are automatically maintained. The manifold is also weather resistant for maximum life expectancy.

IMPORTANT SAFETY NOTICE

The installation of this kit does not alter the gross vehicle weight rating (GVWR) or payload of the vehicle. Check your vehicle's owner's manual and do not exceed the maximum load listed for your vehicle.

Gross Vehicle Weight Rating: The maximum allowable weight of the fully loaded vehicle (including passengers and cargo). This number — along with other weight limits, as well as tire, rim size and inflation pressure data — is shown on the vehicle's Safety Compliance Certification Label.

Payload: The combined, maximum allowable weight of cargo and passengers that the truck is designed to carry. Payload is GVWR minus the base curb weight.

NOTATION EXPLANATION

Hazard notations appear in various locations in this publication. Information which is highlighted by one of these notations must be observed to help minimize risk of personal injury or possible improper installation which may render the vehicle unsafe. Notes are used to help emphasize areas of procedural importance and provide helpful suggestions. The following definitions explain the use of these notations as they appear throughout this guide.

DANGER

INDICATES IMMEDIATE HAZARDS WHICH WILL RESULT IN SEVERE PERSONAL INJURY OR DEATH.

WARNING

INDICATES HAZARDS OR UNSAFE PRACTICES WHICH COULD RESULT IN SEVERE PERSONAL INJURY OR DEATH.

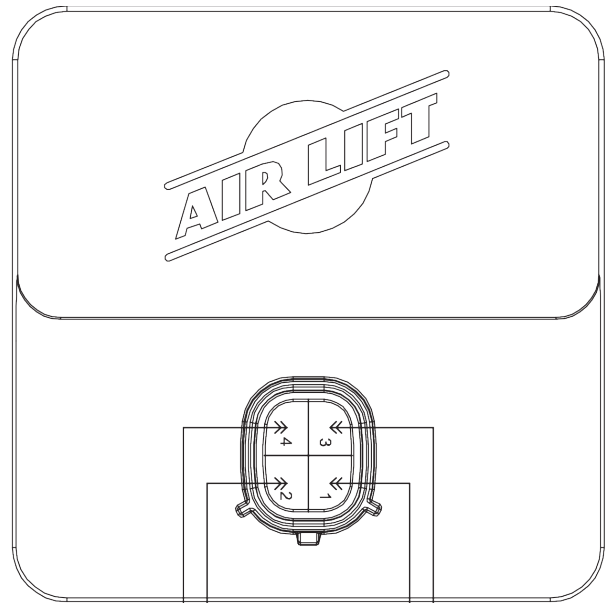
CAUTION

INDICATES HAZARDS OR UNSAFE PRACTICES WHICH COULD RESULT IN DAMAGE TO THE MACHINE OR MINOR PERSONAL INJURY.

NOTE

Indicates a procedure, practice or hint which is important to highlight.

Installation - Electrical Schematic



SCHEMATIC CIRCUIT INFORMATION

Example:

AL004 (PK-18GA) Ignition

Circuit Number

Wire Color
(1st & Last Letter)

Wire Size

Circuit Function

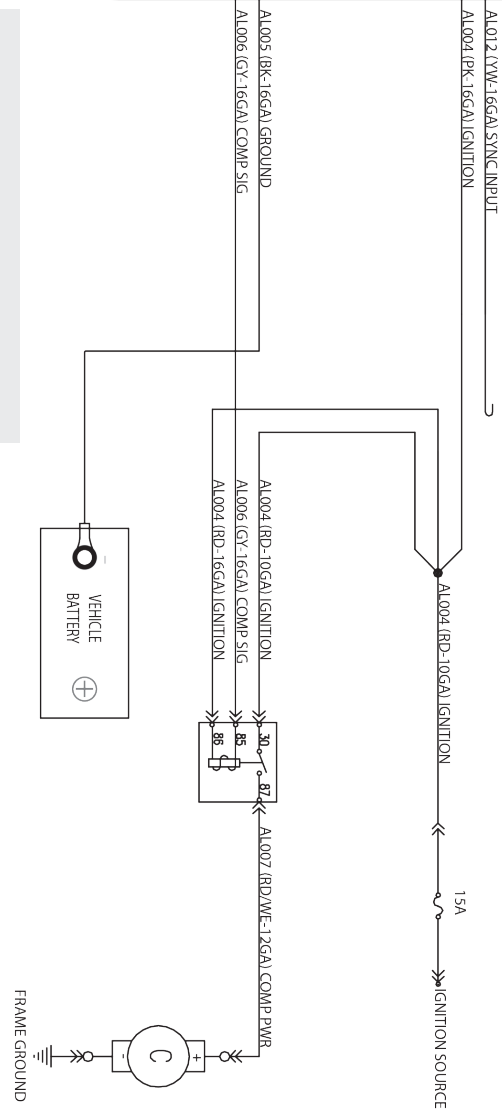


fig. 1

Installation - Pneumatic Schematic

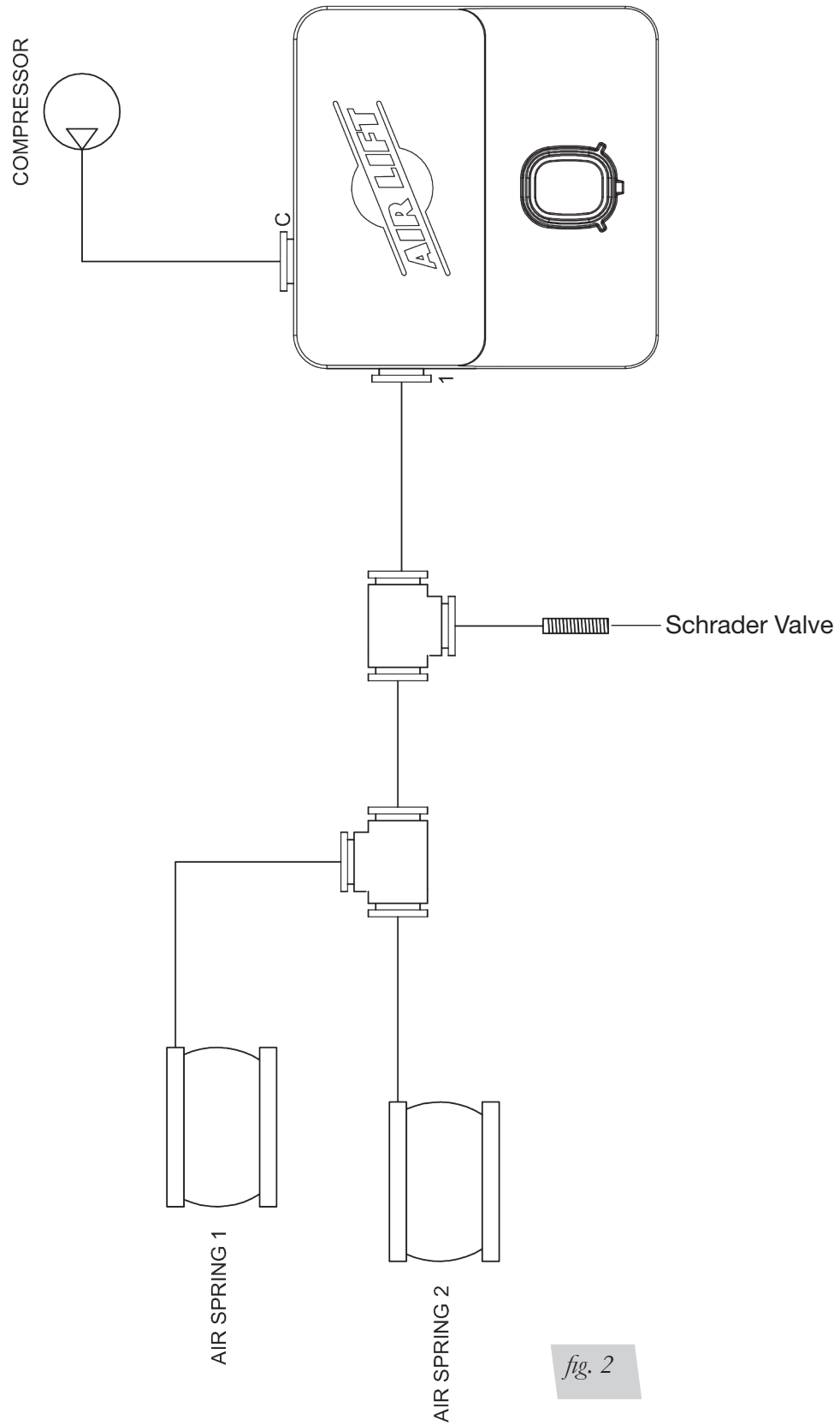
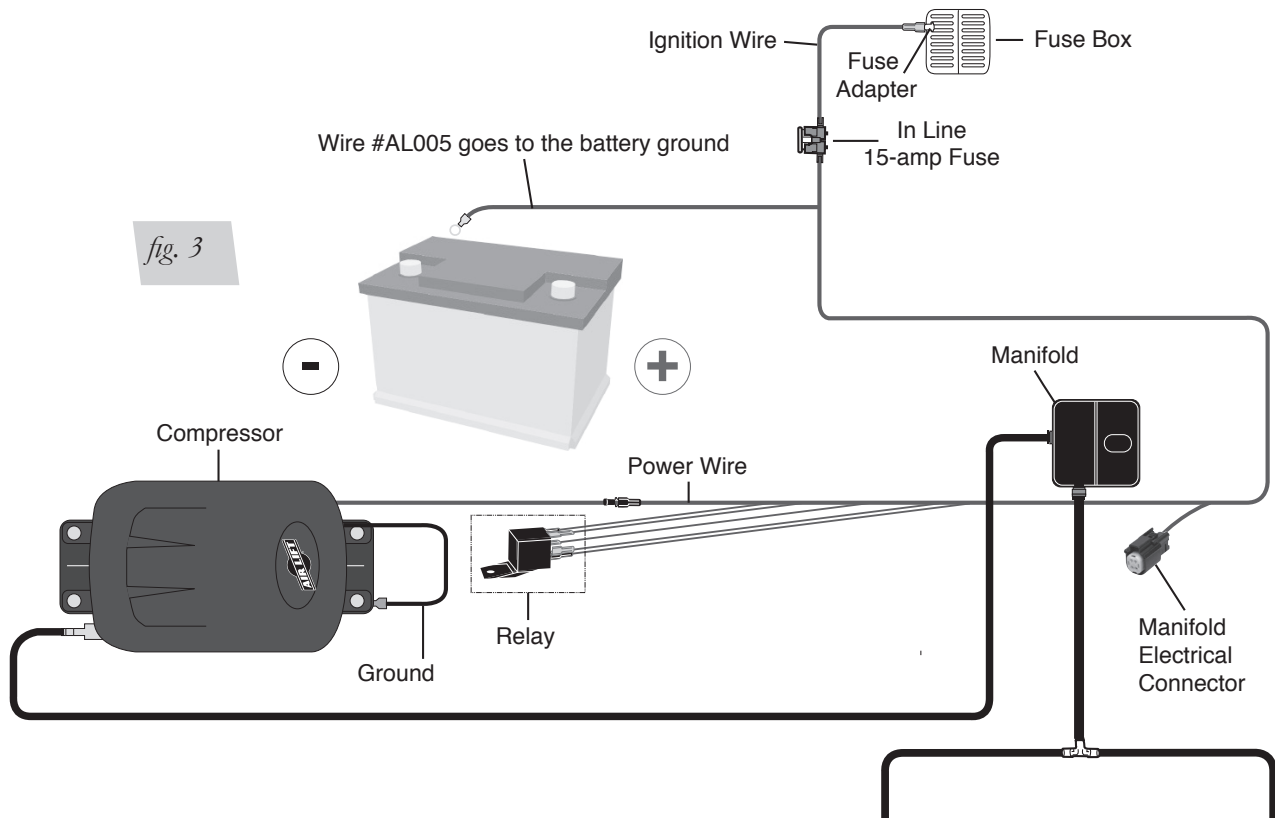


fig. 2

Installation Diagram



HARDWARE LIST

Item	Part #	Description.....Qty
A	72704	Key fob1
B	72701	Wireless manifold1
C	16060	Compressor1
D	20946	20 ft. hose (1/4")1
E	26514	Wireless manifold harness.....1
K	24524	3/16" female spade1
L	24661	Heat shrink butt splice 14-16 ga1
M	24752	Heat shrink butt splice 12-10 ga1
N	24539	Fuse holder ATC/ATO1
O	10466	8" Zip Tie15
P	17428	10-24 x 3/8" Slot hex head screw2
Q	72704-012	CR2032 battery2
R	11027	Bracket1
S	17173	#14-1/4"x3/4" Self-tapping screws...2
T	24681	3/8" Ring terminal.....1
Hardware Pack		
F	21838	Tee 1/4 PTC2
G	24652	ATC fuse, spade 15A1
H	24561	Adapter mini fuse.....1
I	24542	1/4 ATC/ATO tap in fuse1
J	24595	Female spade, 12 ga1

TOOLS LIST

Description.....	Qty
Hoist or floor jacks	1
Safety stands.....	2
Safety glasses	1
Heavy duty drill.....	1
#2 Phillips bit driver.....	1
Description..... Qty	
7/32" & 1/4" Drill bits.....	1
5/16" Driver	1
Hose cutter.....	1
Spray bottle with dish soap/water solution.....	1
Digital volt meter	1



Missing or damaged parts? Call Air Lift customer service at (800) 248-0892 for a replacement part.

Installing the WirelessONE System

RECOMMENDED COMPRESSOR LOCATIONS

Important

LOCATE COMPRESSOR IN DRY, PROTECTED AREA ON VEHICLE.
DIRECT SPLASH OR EXCESSIVE MOISTURE CAN DAMAGE
THE COMPRESSOR AND CAUSE SYSTEM FAILURE.

Disclaimer: If you choose to mount the compressor outside the vehicle please keep in mind the compressor body must be shielded from direct splash.

Please also remember...

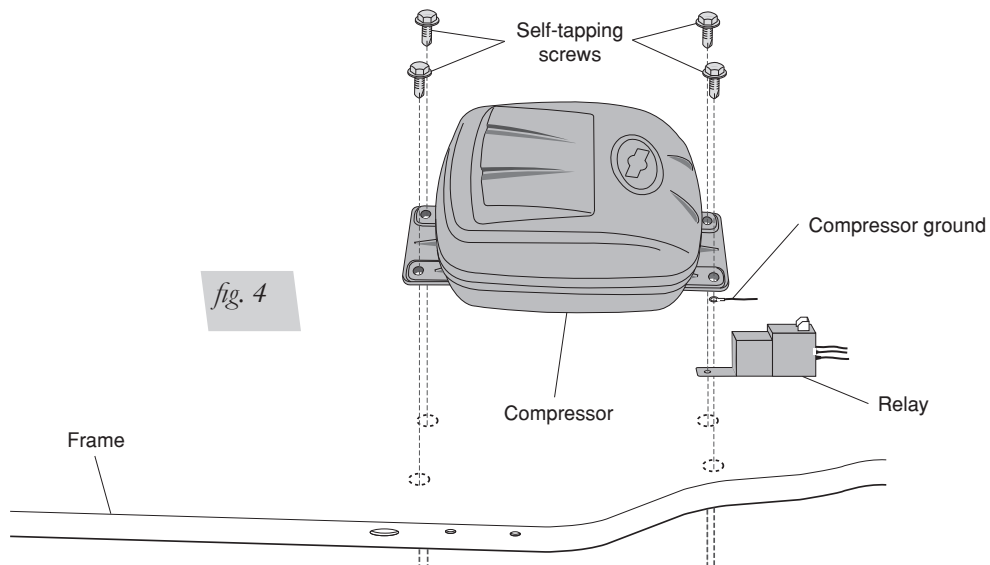
- To avoid high heat environments.
- To avoid mounting the compressor under the hood.
- To check to be sure the compressor harness #2 will reach the compressor and connect to harness #1.
- The compressor can be mounted in any position — vertical, upside down, sideways, etc. (Please refer to the instruction manual).
- Installing the compressor

INSTALLING THE COMPRESSOR

1. Select a rigid mounting location for the compressor on the vehicles frame or crossmember (fig. 4) that shields the compressor from the elements and heat sources.

NOTE

The electrical harness will force the compressor to be within 24" (610mm) of the manifold in order to make electrical connections.



2. Use the supplied self-tapping fasteners to fasten the compressor to the frame or cross member.
 - One of the self-tapping screws will be used as an electrical ground for the compressor ring terminal.
 - Another of the self-tapping screws can be used to mount the compressor relay.

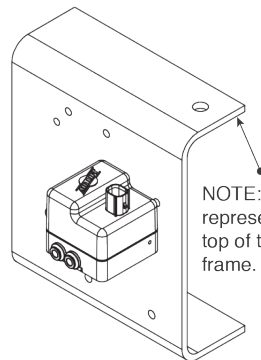
INSTALLING THE MANIFOLD

WARNING

IF THE USER INSTALLS THE MANIFOLD OR COMPRESSOR IN THE CAB OF THE VEHICLE IN EXTREME WEATHER CLIMATES, **DO NOT USE ANY ANTI-FREEZE PRODUCT IN THE SYSTEM AS EXHAUST FUMES CAN BE TOXIC**. CARE MUST BE TAKEN WHEN USING THIS PRODUCT! IT IS RECOMMENDED THAT THIS PRODUCT'S MSDS SHEET BE REVIEWED BEFORE USE! THIS CAN BE OBTAINED WHERE YOU PURCHASED THIS PRODUCT.

1. Select a rigid mounting location for the manifold on the vehicles frame or crossmember that shields the manifold from the elements and heat sources (fig. 5).
2. Use mounting bracket 11027 (R) to secure to the rigid mounting surface with a 17173 fastener (S). The manifold should not be the lowest point in the pneumatic system.

Manifold Mounting:



NOTE: This represents the top of the vehicle frame.

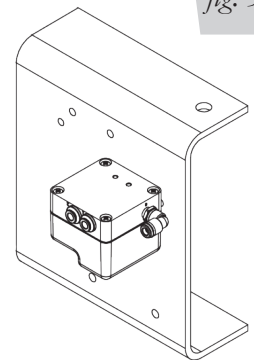
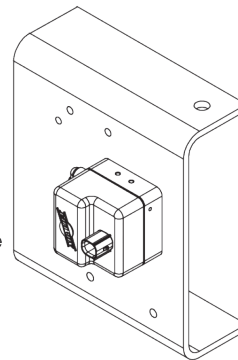


fig. 5

PREFERRED

ACCEPTABLE

ABSOLUTELY NOT!

INSTALLING THE HARNESS

1. Connect electrical connector to manifold (B).
 - a. Push down until fully seated.
 - b. Push red secondary lock down.
2. Connect compressor to harness.
 - a. Cut off terminal on compressor red wire.
 - b. Strip 1/4" insulation off compressor red wire.
 - c. Crimp weatherproof blue butt splice (L) to compressor red wire.
 - d. Crimp the other end of butt splice to harness red/white wire AL007 (RD/WE-12GA).
 - e. Heat butt splice to seal connection.
 - f. Connect the compressor ground wire ring terminal and the relay to the vehicle ground (fig. 4).
 - Using a self-tapping screw for the compressor attach all the components to the vehicle frame ground.
 - g. Connect the black wire "battery ground" to the negative battery terminal after crimping terminal (T) to wire.
3. Connect the AL004 circuit to the vehicle ignition.
 - a. Route the AL004 (RD-10GA) wire to a 15A ignition source.
 - Cut off the excess wire length if all is not needed.
 - b. Strip off 1/4" insulation off both sides of the inline fuse holder (N) and the AL004 (RD-10GA) wire.
 - c. Crimp weatherproof yellow butt splice (M) to AL004 (RD-10GA) wire.
 - d. Crimp the other end of butt splice to one side of the inline fuse holder (N).
 - e. Heat butt splice to seal connection.
 - f. Select the appropriate type of fuse tap and terminal for this application (fig. 6).

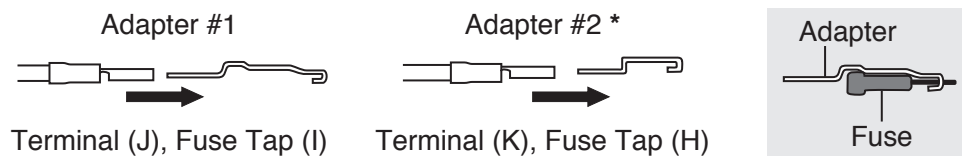


fig. 6

* Uses 3/16" (smaller) Female Push On Connector

- g. Crimp the correct terminal that mates with the appropriate type of fuse tap for your application.
- h. Connect the terminal to the appropriate fuse tap you selected.
- i. Install fuse (G).

ATTACHING THE AIR LINES

Manifold to Compressor:

1. Cut a section of the 1/4" DOT air line (D) provided to go from manifold to compressor.
2. Press air line (D) over barb fitting of compressor (C).
3. Insert into "C" port of manifold (B).

Manifold to "T-Fitting":

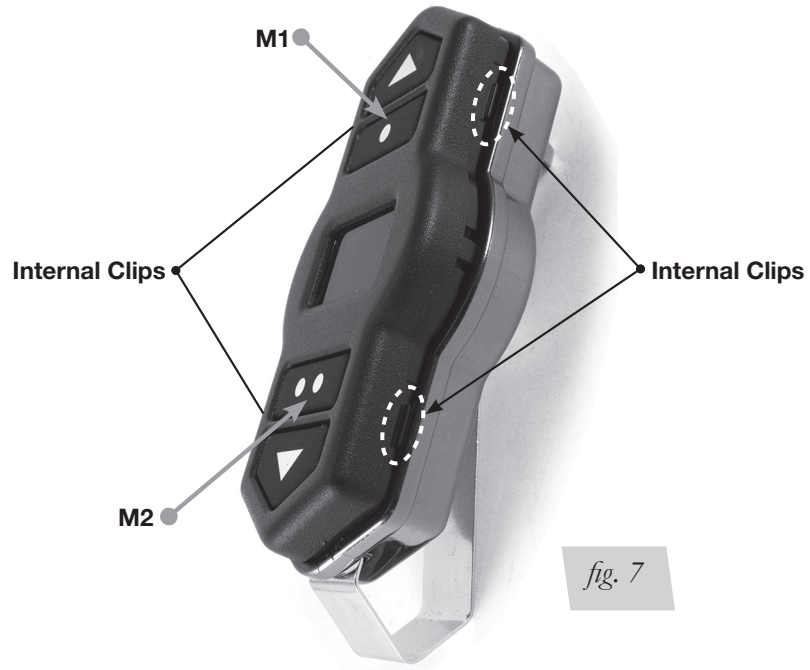
1. Cut a section of the 1/4" DOT air line (D) provided to go from manifold (B) to "T-Fitting" (F).
2. Press air line (D) into the "1" fitting of manifold (B).
3. Press other side of air line (D) into "T" fitting (F).

"T-Fitting" to Springs:

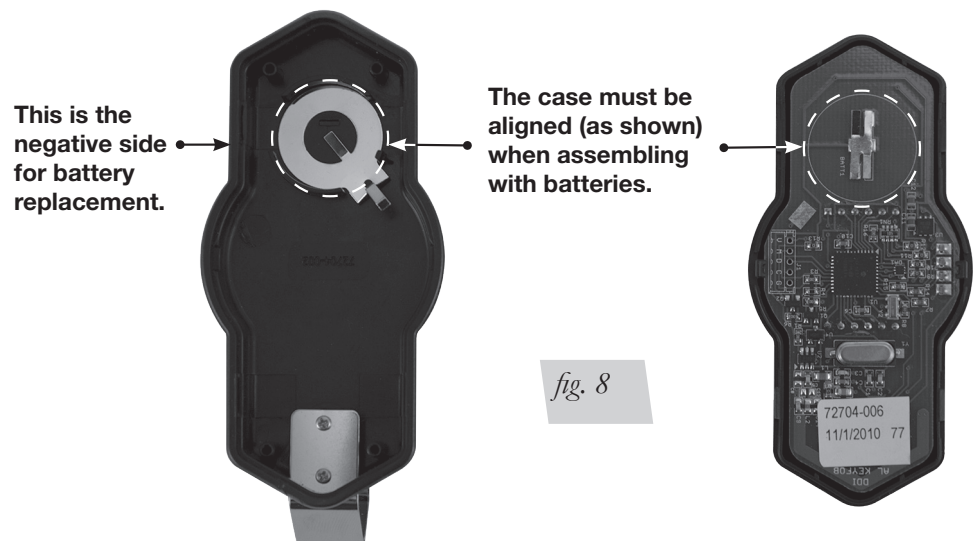
1. Cut a section of the 1/4" DOT air line (D) provided to go from "T-Fitting" (F) to Left and Right air springs.
2. Insert one side of air line (D) into "T-Fitting" (F) and the other into the air springs.

HOW TO REMOVE AND INSTALL THE BATTERIES IN THE REMOTE CONTROL UNIT

1. To remove the two CR2032 batteries use a small flat screw driver to separate the two halves of the key fob by prying at the internal clip locations shown in figure 7.



2. Stack the two CR2032 batteries positive to negative inside the rear cover.
3. Clip the front cover and circuit board into the rear cover (fig. 8).



OPERATIONAL MODES

Normal Mode : Mode in which the user can increase and decrease to the desired pressure, as well as set and recall the three memory pressures. “LB” will be displayed on startup when the battery is getting low.

Settings Mode: Mode in which the user can change the backlighting color, alter the unit of measure (PSI, or BAR).

Settings Mode

1. Press and hold the up and down buttons for 5 seconds to enter the settings mode.
2. Once in the settings mode the display will display “SE” to indicate settings mode.
3. In the settings mode the M1 button (fig. 7) will scroll through all the backlighting options.
4. The M2 button (fig. 7) will toggle between the unit of measure for the pressure and display “PS” for PSI and “BA” for BAR.
5. Pressing the up and down buttons together will exit back into the Normal Mode.

Normal Mode

Increasing desired pressure:

1. Initial press of any button will wake up display and not perform any function.
2. Upon wake up the LCD will display the desired pressure.
3. Pressing the up arrow will increment the desired pressure by 1 PSI, or 0.1BAR depending on the unit of measure selected.
 - When the user releases the button the new desired pressure will be transmitted to the receiver.
4. Holding the up arrow will increment the desired pressure in units of 5 PSI or 0.3BAR depending on the unit of measure selected.
 - When the user releases the button the new desired pressure will be transmitted to the receiver.
5. The maximum pressure will be 120 PSI or 8.3BAR.
 - If desired pressure is max pressure then pressing the up arrow will result in no function.

Decreasing desired pressure:

1. Initial press of any button will wake up display and not perform any function.
2. Upon wake up, the LCD will display the desired pressure.
3. Pressing the down arrow will decrease the desired pressure by 1 PSI, or 0.1BAR depending on the unit of measure selected.
 - When the user releases the button the new desired pressure will be transmitted to the receiver.
4. Holding the down arrow will decrease the desired pressure in units of 5 PSI or 0.3BAR depending on the unit of measure selected.
 - When the user releases the button the new desired pressure will be transmitted to the receiver.
5. The minimum pressure will be 5 PSI or 0.3BAR.
 - If desired pressure is min pressure then pressing the down arrow will result in no function.

Saving and Recalling Memory 1:

Recalling Memory

- Initial press of any button will wake up display and not perform any function.
- Upon wake up the LCD will display the desired pressure.
- Press the M1 button to set the M1 pressure as the desired pressure.
- Upon the press of the M1 button the display will display “M1”.
- Once the button is released the display will display the new desired pressure and transmit the desired pressure to the receiver.

Saving to Memory

- With the desired pressure on the LCD, press and hold the memory button for 5 seconds to set the desired pressure to memory 1.
- While the M1 button is pressed the display will display “M1”.
- Once the desired pressure is saved to M1 the display will flash the backlight three times.

Saving and Recalling Memory 2:

Recalling Memory

- Initial press of any button will wake up display and not perform any function.
- Upon wake up the LCD will display the desired pressure.
- Press the M2 button to set the M2 pressure as the desired pressure.
- Upon the press of the M2 button the display will show “M2”.
- Once the button is released the display will display the new desired pressure and transmit the desired pressure to the receiver.

Saving to Memory

- Press and hold the memory button for 5 seconds to set the desired pressure to memory 2.
- While the M2 button is pressed the display will show “M2”.
- Once the desired pressure is saved to M2 the display will flash the backlight three times.

Saving and Recalling Memory 3:

Recalling Memory

- Initial press of any button will wake up display and not perform any function.
- Upon wake up the LCD will display the desired pressure.
- Press the M1 & M2 buttons to set the M3 pressure as the desired pressure.
- Upon the press of the M1 & M2 buttons the display will show “M3”.
- Once the buttons are released the display will display the new desired pressure

Saving to Memory

- Press and hold M1 & M2 buttons for 5 seconds to set the desired pressure to memory 3.
- While the M1 & M2 buttons is pressed the display will show “M3”.
- Once the desired pressure is saved to M3 the display will flash the backlight three times.

HOW TO SYNC THE RECEIVER TO THE TRANSMITTER (ONLY NEEDED WITH A REPLACEMENT TRANSMITTER)

1. Turn ignition on.
2. Locate the sync wire in the wire harness.
 - It will be the yellow wire that is looped with a yellow cap around it.
3. Remove the yellow wire from the cap leaving the cap attached to the harness.
4. Disconnect power to the receiver.
 - Unplug the connector on the top.
5. Connect power to the receiver while grounding the sync input.
6. Listen for 3 clicks of the internal solenoid, then one click every second.
 - This will indicate that you are now in the “sync mode”.
 - Sync mode will last for 30 seconds total.
 - Within the 30 seconds press any button on the transmitter to send a message to the receiver.
 - Once the receiver has received a message it will sync with that transmitter and stop clicking the solenoid in 1 second intervals.
7. Reinsert the yellow wire terminal into the molded cap.

CHECKING THE SYSTEM

1. Pressurize the system to check for leaks.
2. Inspect all air line connections with a solution of dish soap and water. If a leak is detected in a push-lock fitting, cut the hose end square and reinstall the air line to the fitting. Make sure the air line is cut off squarely and that the air line is completely pushed into the fitting.
3. If the compressor or the solenoid fails to function, check the 15 AMP fuse and ground connection. Repair and replace as necessary.

FCC INFORMATION TO USER

THIS DEVICE COMPLIES WITH PART 15 OF THE FCC RULES. OPERATION IS SUBJECT TO THE FOLLOWING TWO CONDITIONS: (1) THIS DEVICE MAY NOT CAUSE HARMFUL INTERFERENCE, AND (2) THIS DEVICE MUST ACCEPT ANY INTERFERENCE RECEIVED, INCLUDING INTERFERENCE THAT MAY CAUSE UNDESIRE OPERATION.

NOTE: THE MANUFACTURER IS NOT RESPONSIBLE FOR ANY RADIO OR TV INTERFERENCE CAUSED BY UNAUTHORIZED MODIFICATIONS TO THIS EQUIPMENT. SUCH MODIFICATIONS COULD VOID THE USER'S AUTHORITY TO OPERATE THIS EQUIPMENT.

FCC ID: YHT-BRM920AJM1017

Important

TO AVOID COLD WEATHER FREEZE UP: ADD 4 OZ. (1/2 CUP) OF “GUNK” BRAND AIR BRAKE ANTI-FREEZE

Directly into each flex member. Remove the air line and/or fitting from the air bag and fill directly. Gunk Brand Air Brake Anti-Freeze may be purchased at an automotive parts store or truck supply store.

WARNING

IF THE USER INSTALLS THE MANIFOLD OR COMPRESSOR IN THE CAB OF THE VEHICLE IN EXTREME WEATHER CLIMATES, **DO NOT USE ANY ANTI-FREEZE PRODUCT IN THE SYSTEM AS EXHAUST FUMES CAN BE TOXIC.** CARE MUST BE TAKEN WHEN USING THIS PRODUCT! IT IS RECOMMENDED THAT THIS PRODUCT'S MSDS SHEET BE REVIEWED BEFORE USE! THIS CAN BE OBTAINED WHERE YOU PURCHASE THIS PRODUCT.

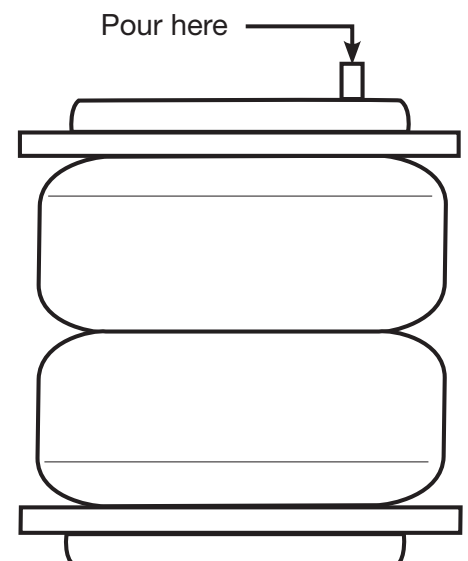
WARNING

DO NOT FILL THROUGH COMPRESSOR OR MANIFOLD — DAMAGE WILL OCCUR.

CAUTION

DO NOT USE ENGINE ANTI-FREEZE

Check fluid levels in flex member every year (add if needed).



Drilling Template Verification

CAUTION

IMPORTANT: PRINT THIS MANUAL AT 100% SCALE. THIS MANUAL CONTAINS A DRILLING TEMPLATE, WHICH WOULD BE RENDERED INCORRECT IN DIMENSION IF PRINTED WITH ANY SCALING. USING AN INCORRECT TEMPLATE TO DRILL HOLES MAY CAUSE DAMAGE TO THE VEHICLE!

PLEASE REFER TO THE ONE INCH OR ONE CENTIMETER SCALE (FIG. 9) AND USE A MEASURING TOOL TO CONFIRM THAT THE PRINTED SCALE MEASURES ONE INCH OR ONE CENTIMETER TO VERIFY THAT THE TEMPLATE HAS BEEN PRINTED AT 100% SCALE. IF IT IS PRINTED AT ANY SCALE OTHER THAN 100%, YOU COULD END UP DRILLING IN THE WRONG LOCATIONS ON THE VEHICLE.

Templates

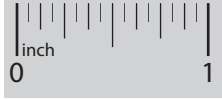
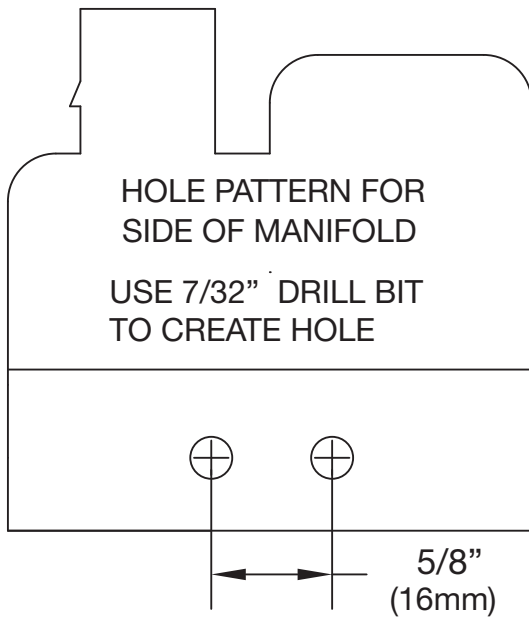
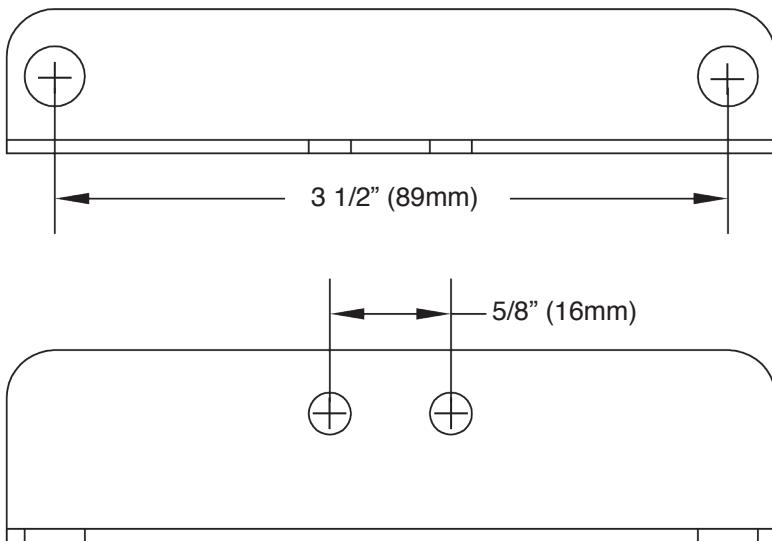


fig. 9

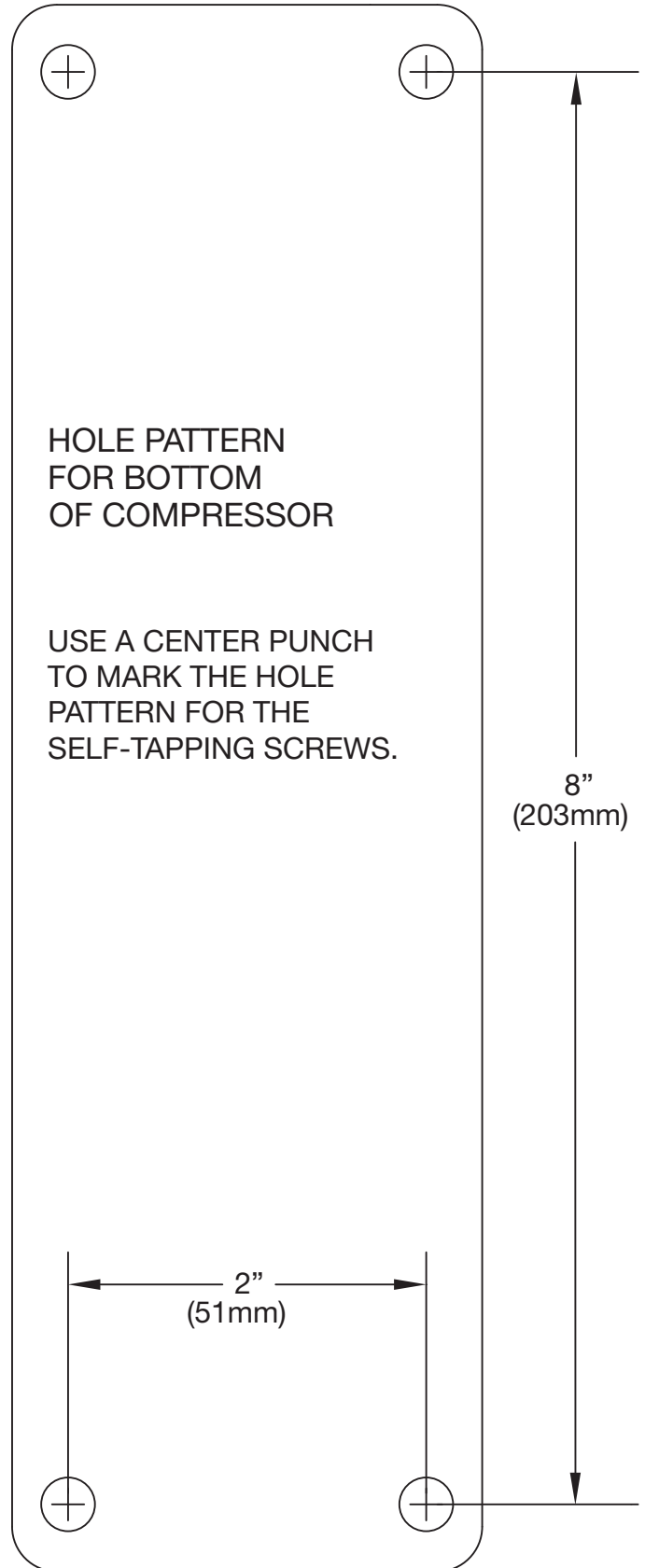
72701 MANIFOLD



11027 BRACKET



16060 COMPRESSOR



Limited Warranty and Return Policy

Air Lift Company provides a 2-year limited warranty to the original purchaser of WirelessONE™ from the date of original purchase, that the products will be free from defects in workmanship and materials when used on cars and trucks as specified by Air Lift Company and under normal operating conditions, subject to the requirements and exclusions set forth in the full Limited Warranty and Return Policy that is available online at www.airliftcompany.com/warranty. For additional warranty information contact Air Lift Company customer service.

Replacement Information

If you need replacement parts, contact the local dealer or call Air Lift customer service at (800) 248-0892. Most parts are immediately available and can be shipped the same day.

Contact Air Lift Company customer service at (800) 248-0892 first if:

- Parts are missing from the kit.
- Need technical assistance on installation or operation.
- Broken or defective parts in the kit.
- Wrong parts in the kit.
- Have a warranty claim or question.

Contact the retailer where the kit was purchased:

- If it is necessary to return or exchange the kit for any reason.
- If there is a problem with shipping if shipped from the retailer.
- If there is a problem with the price.

Contact Information

If you have any questions, comments or need technical assistance contact our customer service department by calling (800) 248-0892, Monday through Friday. For calls from outside the USA or Canada, our local number is (517) 322-2144.

For inquiries by mail, our address is PO Box 80167, Lansing, MI 48908-0167. Our shipping address for returns is 2727 Snow Road, Lansing, MI 48917.

You may also contact us anytime by e-mail at sales@airliftcompany.com or on the web at www.airliftcompany.com.

Need Help?

Contact Air Lift Company customer service department by calling (800) 248-0892. For calls from outside the USA or Canada, dial (517) 322-2144.



Thank you for purchasing Air Lift products — the professional installer's choice!

Air Lift Company • 2727 Snow Road • Lansing, MI 48917 or P.O. Box 80167 • Lansing, MI 48908-0167
Toll Free (800) 248-0892 • Local (517) 322-2144 • Fax (517) 322-0240 • www.airliftcompany.com

Printed in the USA
JJC-0218