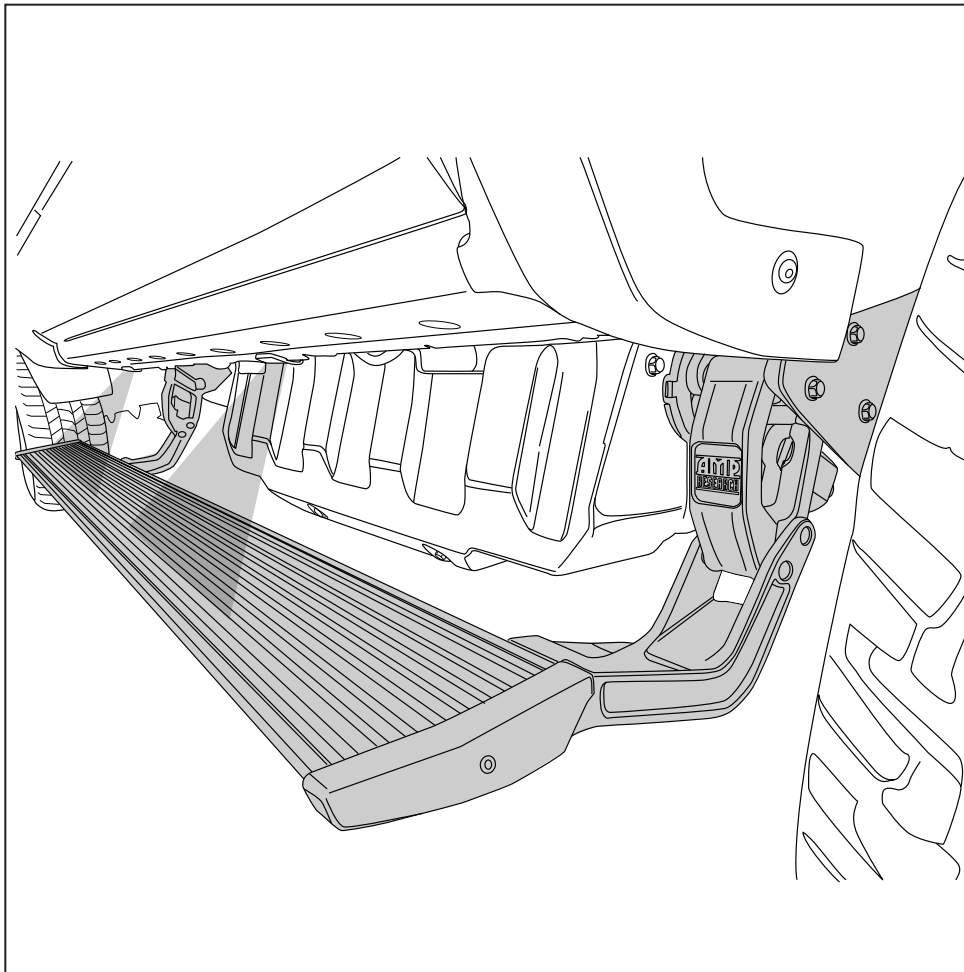


AMP RESEARCH Power Step

MADE IN USA

APPLICATION	MODEL YEAR	AMP Part #
Chevrolet Silverado/ GMC Sierra - Crew Cab	2017 - 2019	76247-01A (Diesel Only)
Chevrolet Silverado/ GMC Sierra - Double Cab	2017 - 2019	76247-01A (Diesel Only)

* Modification required to running board assembly. See Item 1 on page 3.



INSTALLATION TIME
3-5 Hours
 Professional installation recommended

SKILL LEVEL

① ② ③ ④

4= Experienced

- TOOLS REQUIRED**
- Safety goggles
 - Measuring tape
 - 10 mm socket
 - 13 mm socket
 - 5mm hex key wrench (allen wrench)
 - Ratchet wrench and extension
 - Wire crimpers
 - Wire stripper / cutter
 - 3/16" hex key wrench (allen wrench)
 - 4mm hex key wrench (allen wrench)
 - Electrical tape
 - Weather proof caulking (silicone sealer)
 - Silicone spray

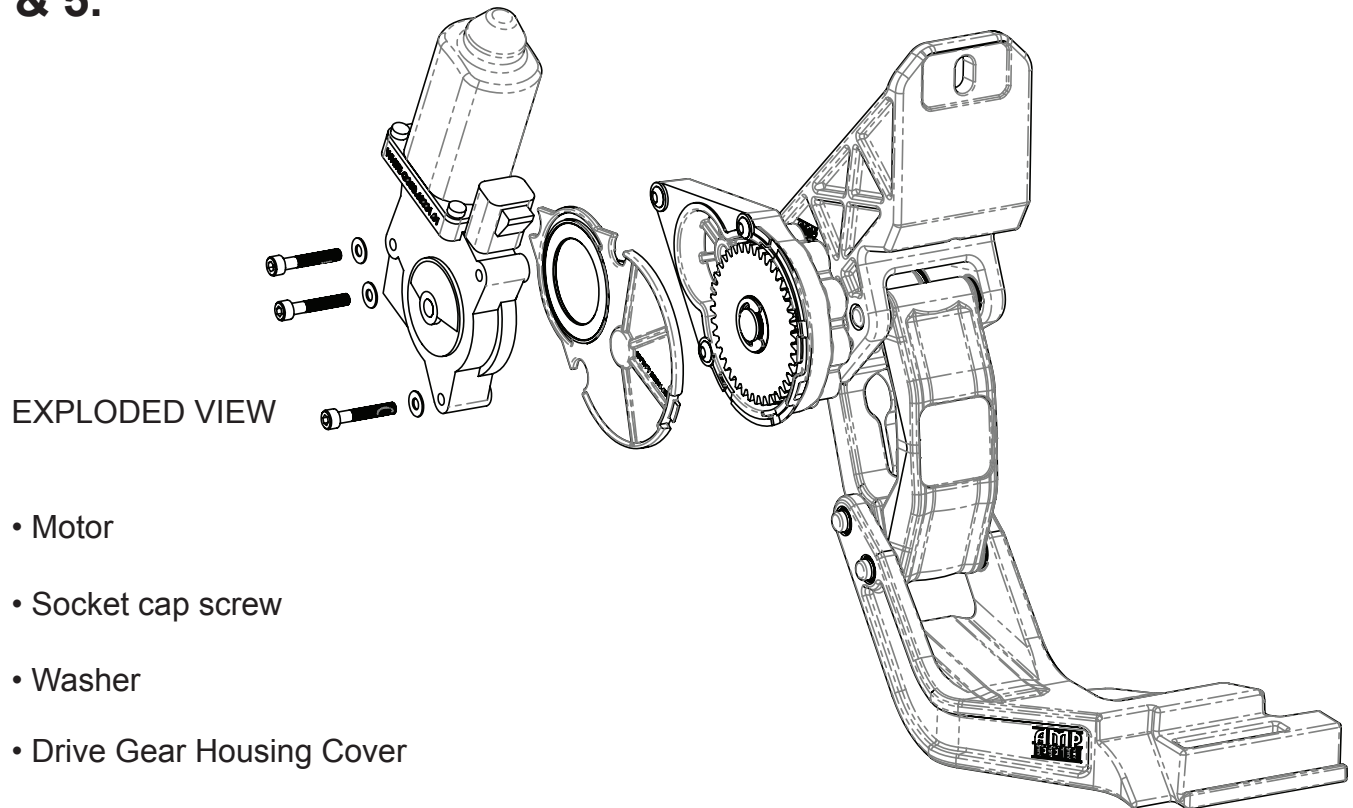
WARRANTY
5-Year Limited Warranty

AMP RESEARCH TECH SUPPORT 1-888-983-2204 (Press 2) Monday - Friday, 7:00 AM - 5:00 PM PST

Invented, engineered and manufactured exclusively by AMP Research in the USA. May be covered by one of the following patents: 6,641,158; 6,830,257; 6,834,875; 6,938,909; 7,055,839; 7,380,807; 7,398,985; 7,584,975 ©2012 AMP Research. All rights reserved. Printed in USA.

INSTALLATION GUIDE

Attaching motor to Linkage assembly. **To be assembled in Steps 1, 3, & 5.**



- Motor
- Socket cap screw
- Washer
- Drive Gear Housing Cover

CAUTION: HANDLE WITH CARE.

The motor must be put on in Step 1 before the linkage is installed due to bolt access. The remaining motors shall be installed in Step 3 & 5 after the linkage is tightened to the body of the vehicle.

To ensure our customers receive all components with full integrity, we pack the motors separate from their linkage assemblies. This requires that the installer position and fasten the motor before continuing with the install. Please follow the instructions below and handle the assembly carefully.

CAUTION: Dropping the assembly or any excessive impact MAY cause damage to the motor.

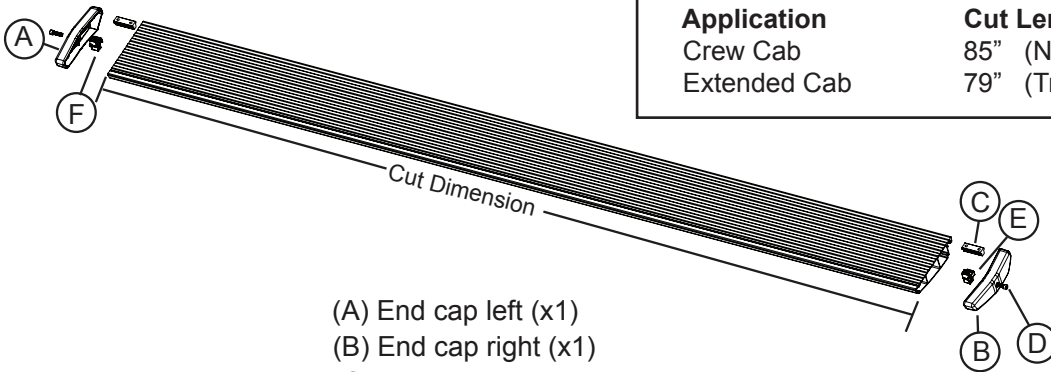
Instructions:

1. Position the gear cover in place as shown if not already in place.
2. Seat motor into position on the three mounting bosses. This may require an adjustment of the gear by moving the swing arms.

Note: Some Applications require modification.

Application
 Crew Cab
 Extended Cab

Cut Length
 85" (No Modification Required)
 79" (Trim 6" off of Board)

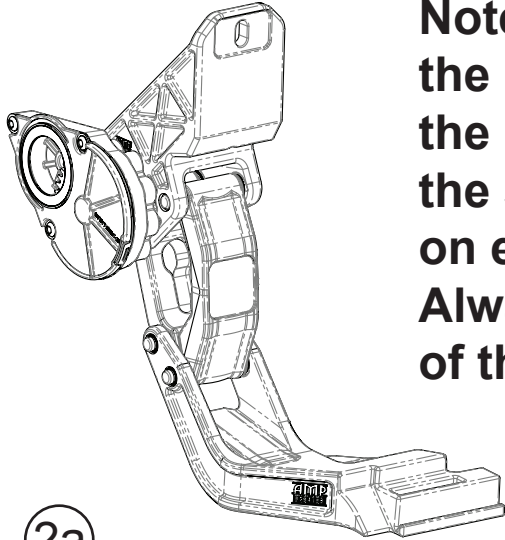


- (A) End cap left (x1)
- (B) End cap right (x1)
- (C) T-nut insert (x2)
- (D) Socket cap screw (x2)
- (E) End cap wedge right (x1)
- (F) End cap wedge left (x1)

1 x2

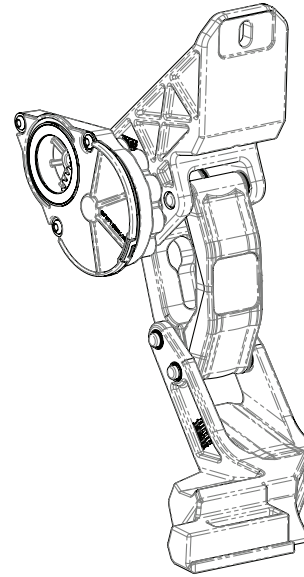
Running board assembly

Note: The jogs in the lower part of the linkages point the same direction on each side. Always to the Rear of the truck.



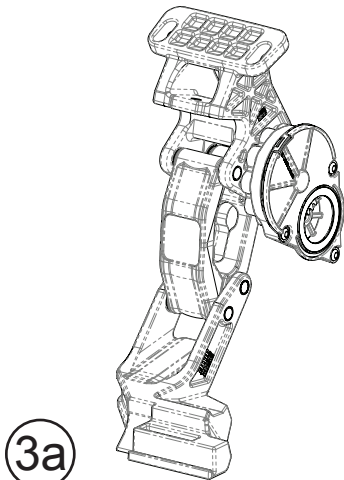
2a

Driver Motor Linkage assembly



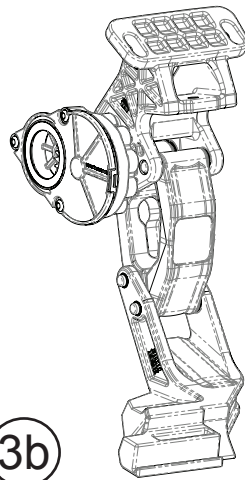
2b

Passenger Motor Linkage assembly



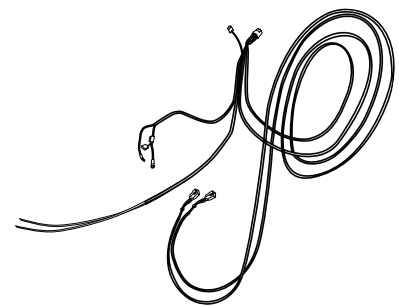
3a

Driver Motor Linkage assembly



3b

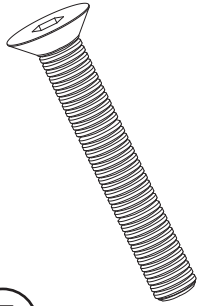
Passenger Motor Linkage assembly



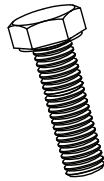
4

Wire harness

AMP RESEARCH POWERSTEP™ – CHEVROLET / GMC



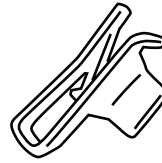
5 x2
Countersunk Bolt



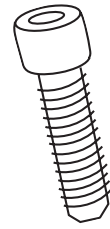
6 x3
Hex Bolt



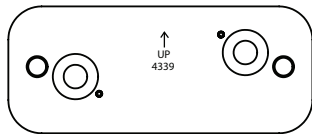
7 x3
Washer



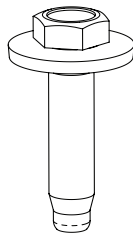
8 x2
U-nut



9 x8
Socket Cap Screw



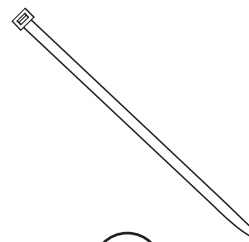
10 x2
Mounting Bracket



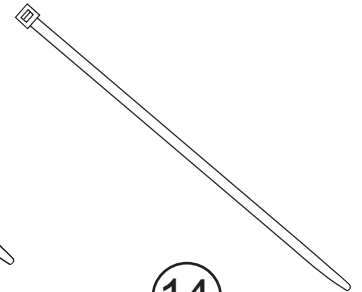
11 x4
Conical Washer Bolt



12
Grommet



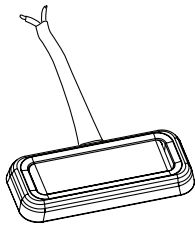
13 x20
Cable tie (7")



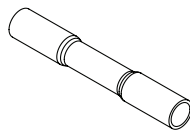
14 x2
Cable tie (11")



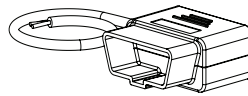
15 x2
Posi-Lock™



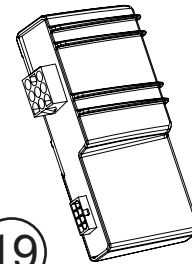
16 x4
LED Lamp



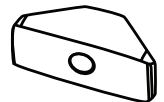
17 x8
Butt Connector



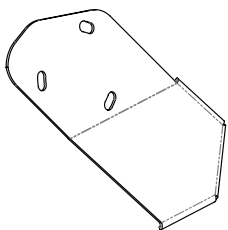
18
OBD II Plug



19
Controller XTA



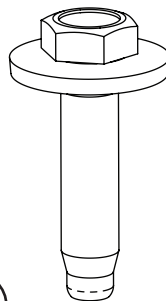
20 x2
Mounting Insert



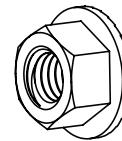
21 x2
Shield



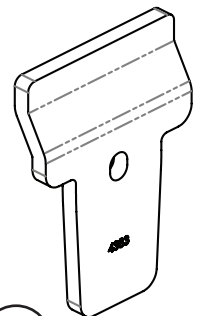
22 x6
Hex Flange Bolt



23 x2
Long Conical Washer Bolt



24 x4
Flange Nut

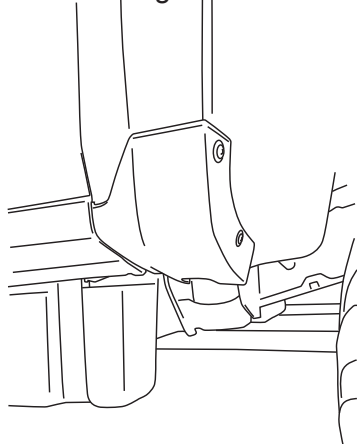


25 x2
Rear Bracket

FENDER TRIM PROCEDURE – CHEVROLET SILVERADO

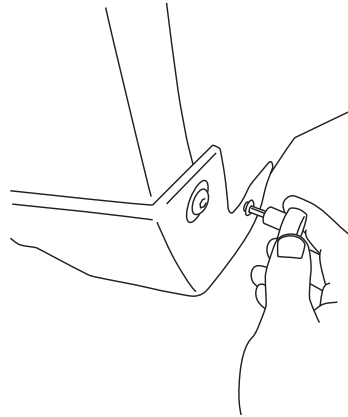
Steps 1-6 are for Chevy Silverado Fender trimming. See Steps 7-9 for GMC Sierra Fender trimming

On Silverado model trucks trimming is required on the front fender trim. Passenger side shown.



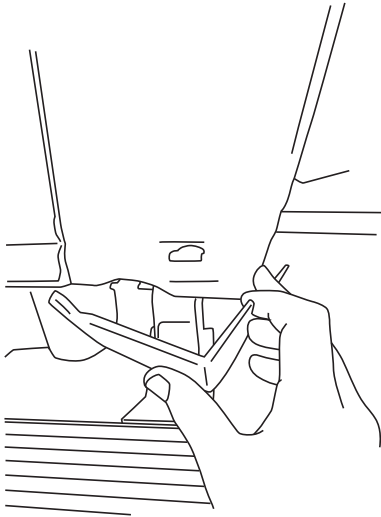
1

Using a T10 Torx bit remove two screws holding fender trim to fender.



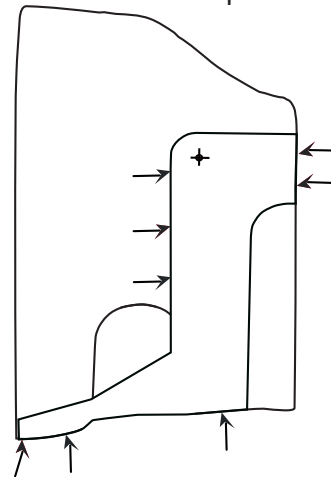
2

Once 2 screws are removed shift fender trim towards the rear of the vehicle to disengage plastic tabs.



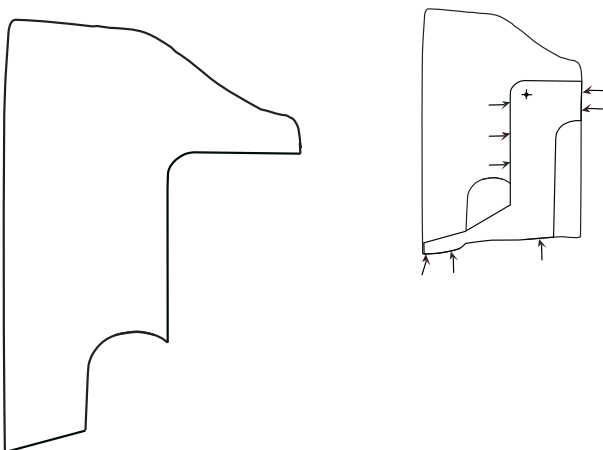
3

Cut out provided templates at the back of install sheet for the Chevy Silverado. Using tape line up template as show. The main edge should be lined up with the feature line in the middle of the part.



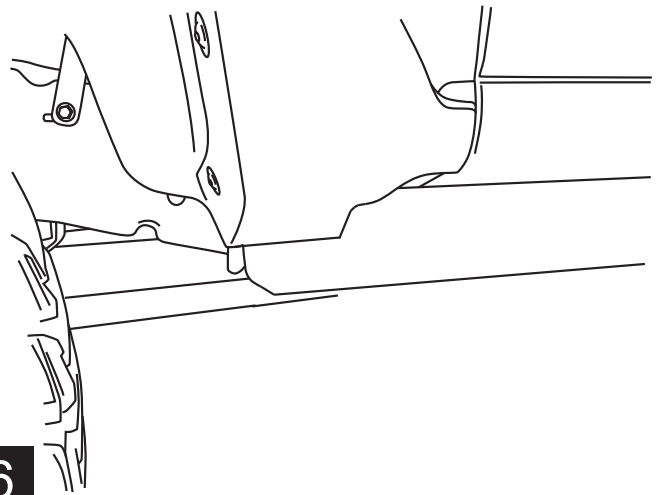
4

At center point use a 1" hole saw. Once drilled we recommend using a band saw to trim the straight edges. Once trimmed deburr and reinstall fender trim.



5

Repeat on the Driver Side. Reinstall fender trim and continue with powerstep installation.

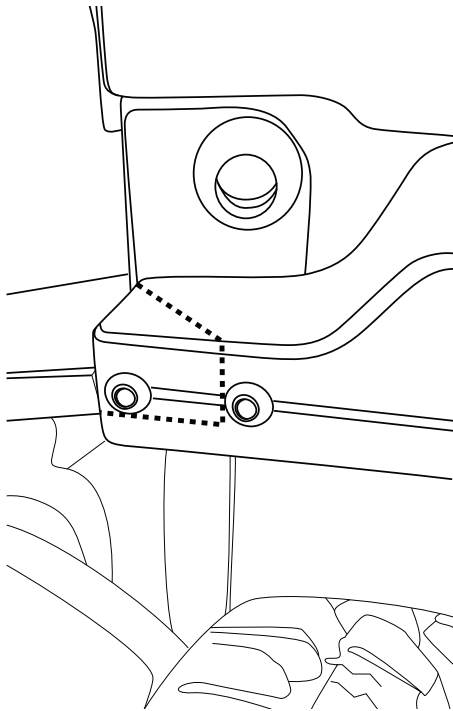


6

FENDER TRIM PROCEDURE – GMC SIERRA

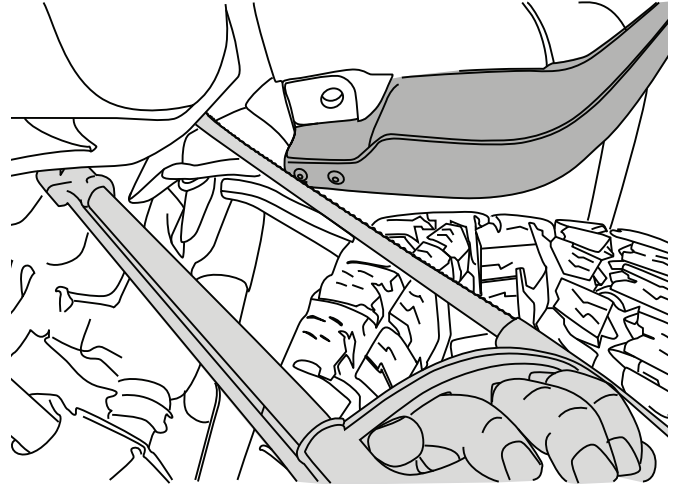
Steps 7-9 are for GMC Sierra Fender trimming

Before removing the fender bolt mark fender trim as shown below. The front face should not be cut, this leaves a factory appearance from the outside.



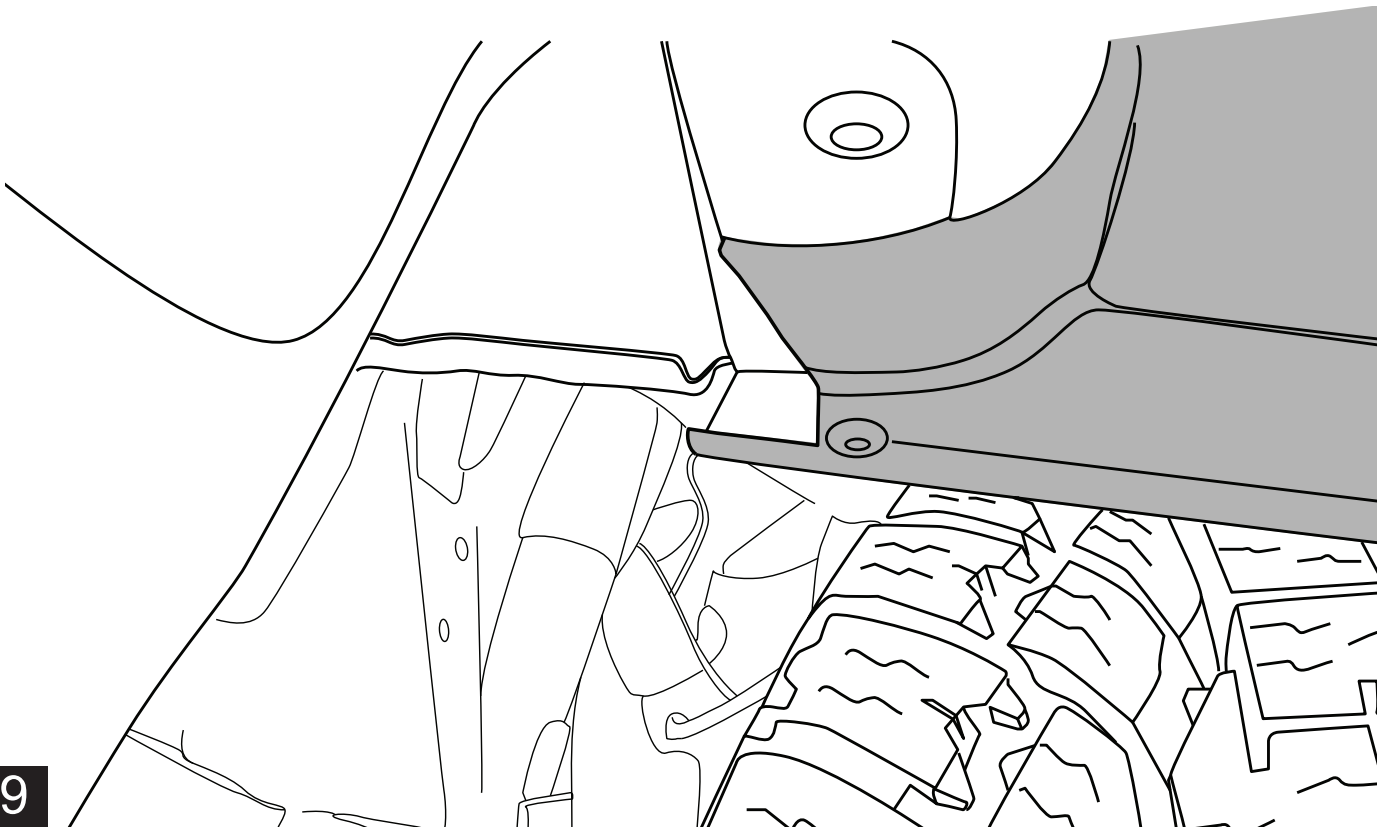
7

Using a hack saw or dremel tool, cut along lines made. Be careful not to damage the pinchweld behind the trim piece. Once trimmed deburr the edge.



8

The end result should look like this below. Repeat on the other side trim piece. Continue with powerstep installation.



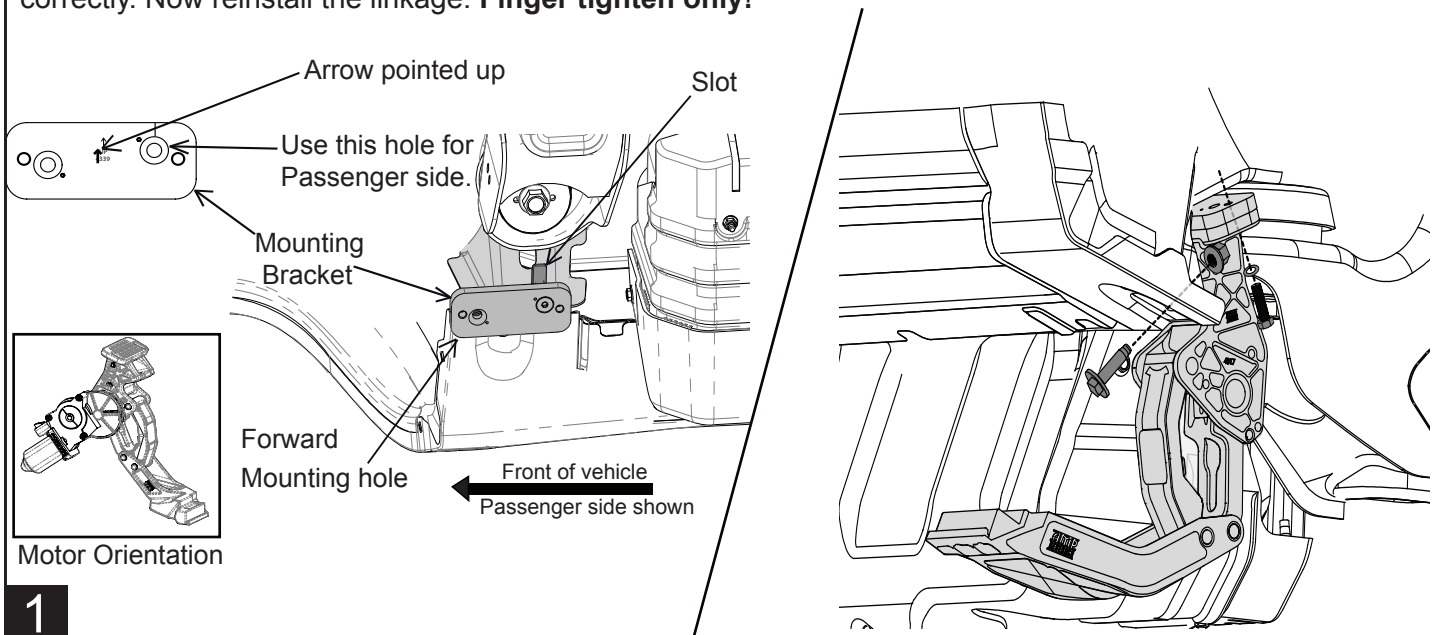
9

Installing Front Linkage (Passenger Side)

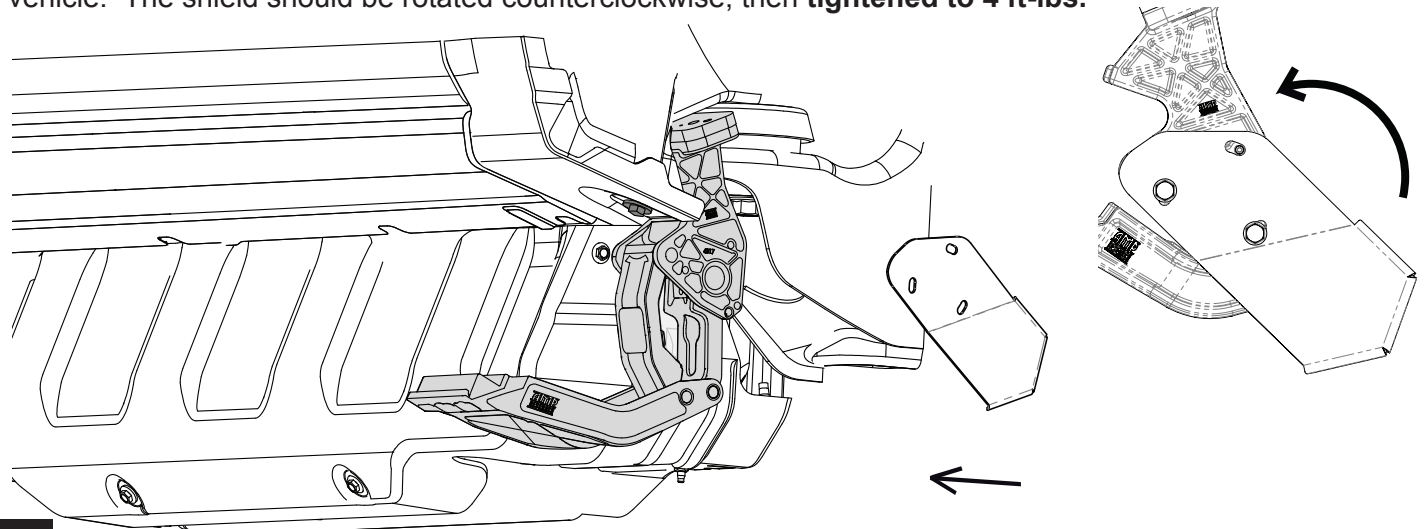
Remove Passenger side Fender bolt and U-nut using a 13mm socket or wrench. Install Mounting Bracket (10) to slot in Body support rib using supplied bolt (5) and mounting insert (20). Rotate mounting insert into slot and snug bolt. Orient bracket as shown.

Install motor to linkage at about mid-stroke. Reference Pg 2 for motor installation.

Install linkage (3b) into position pulling forward on inner fender liner. Rotate linkage into position to check alignment of linkage to mounting plate. First install the lower fender conical washer bolt (11) and nut (24). Next install upper mounting bolt and washer (6,7) into forward mounting hole to verify mounting plate alignment. Adjust as needed. Remove linkage, torque mounting plate bolt (5) to 10 ft-lbs using 5mm hex key. Reinstall linkage. Now remove linkage and tighten Bolt (5) to hold the mounting bracket (10) in place correctly. Now reinstall the linkage. **Finger tighten only!**



This is how the front passenger side linkage should look when installed. The Shield (21) should be installed as shown below, marked 'P' for passenger and 'D' for driver side, use 3 bolts (22) per side of the vehicle. The shield should be rotated counterclockwise, then **tightened to 4 ft-lbs.**

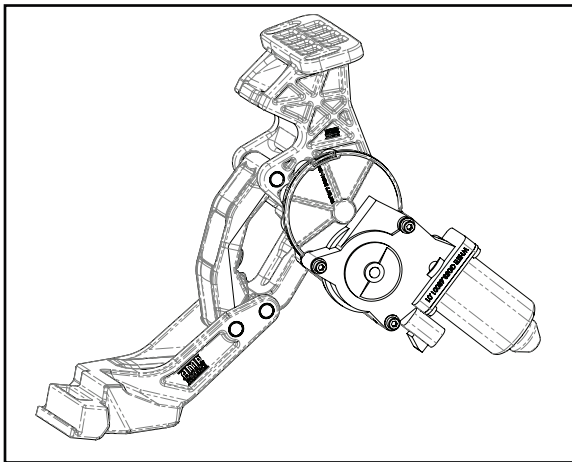
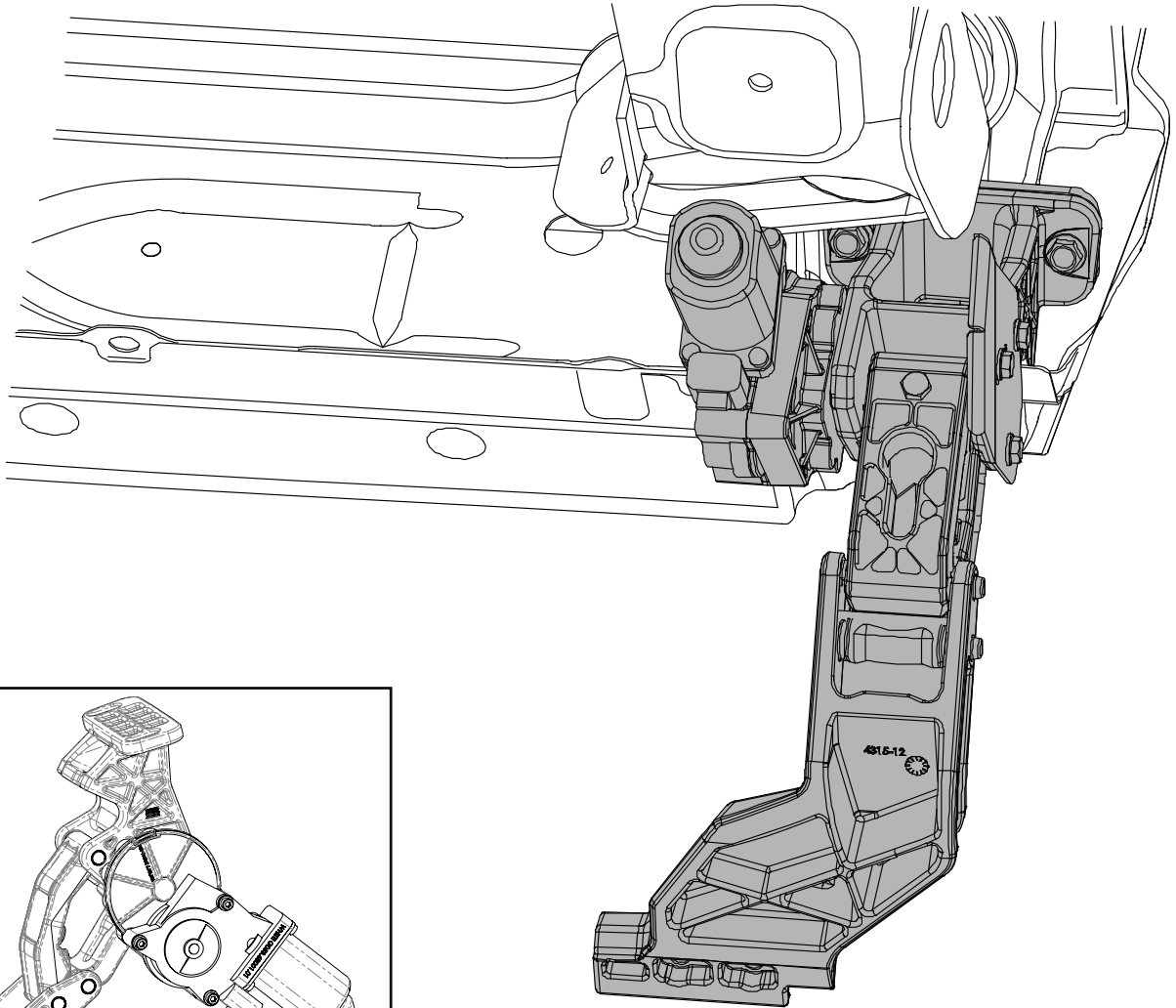


2

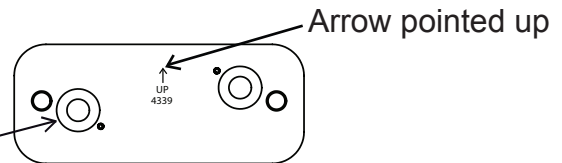
Installing Front Linkage (Driver Side)

Remove Driver side Fender bolt and U-nut. Install the driver side linkage the same as the Passenger side using the other mounting bracket hole. Use two upper bolts and washers (6 & 7). The motor can be installed on the linkage after it is installed since there is more room. Follow the torque sequence in step 7. Install shield (21) and rotate counter-clockwise.

On GMC's the Mounting Insert may need to be tapped in to fit on the Driver's side.

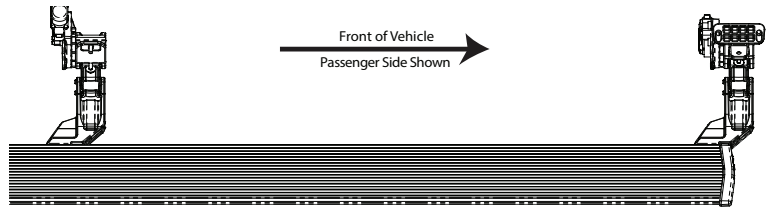
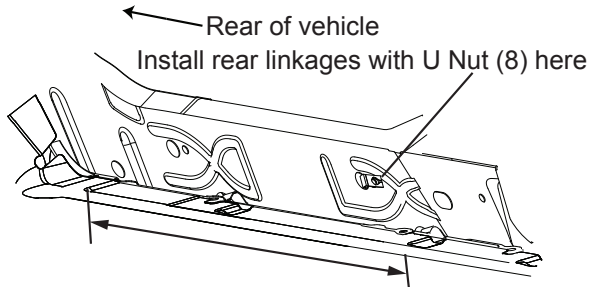


Motor Orientation



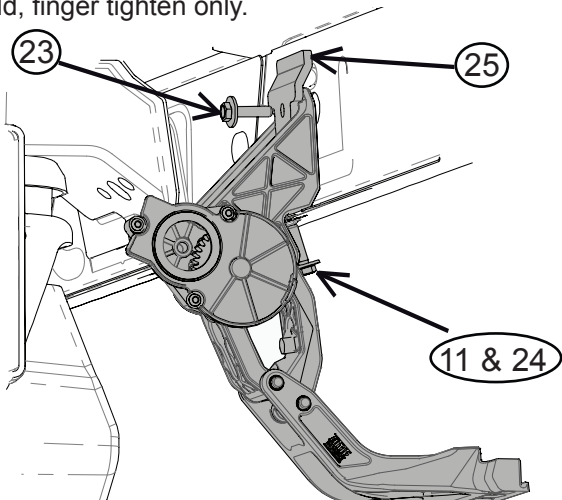
Installing Rear Linkages

Install Passenger and Driver side Rear Motor Linkages in the fourth sheetmetal tab/hole from front. Extra Cab: See measurements below for location. Install U-nut (8). Follow the torque sequence in step 7. Both linkages face to the rear of the vehicle as shown below.



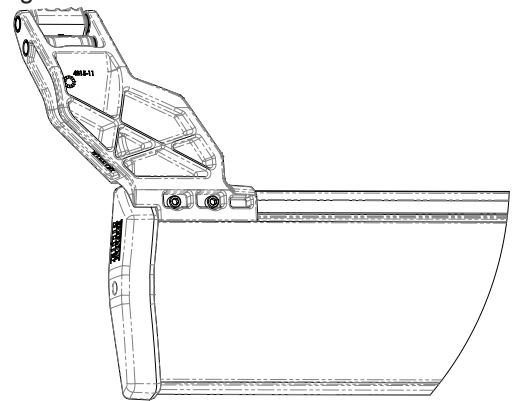
4 Crew Cab- Approx 26 1/4" from back of cab Extended Cab- Approx 11" from back of cab

Install linkage. Finger tighten bolt. Install bolt and bracket (23 & 25) at top, and bolt and nut (11 & 24) to the pinchweld, finger tighten only.

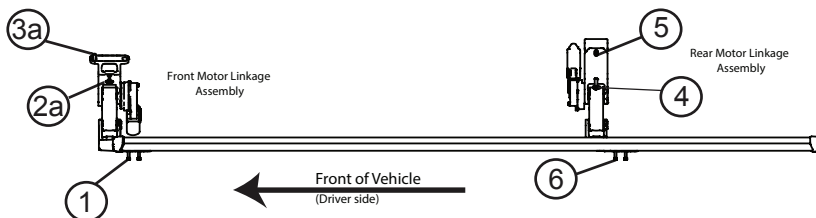
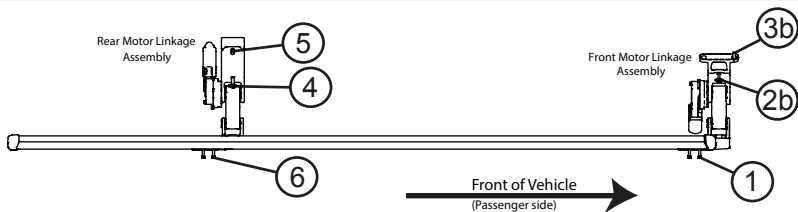


5

Slide mounting T-nut into position, slide the board (1) back so that the front end cap is against the front Linkage as shown. Install two Socket cap screws (9), finger tighten only. Repeat on rear linkage.



6

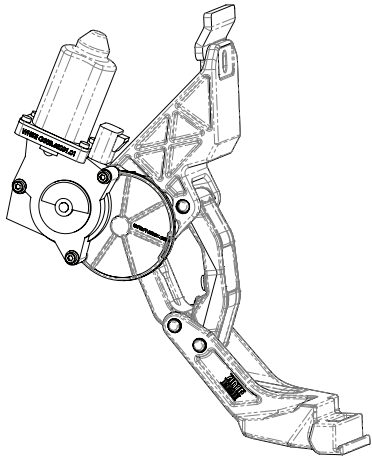


In order to prevent any binding follow the torquing order listed above.

- 1) Torque Socket cap screws to 10 ft-lbs.
- 2) Torque Hex head screw to 16 ft-lbs.
- 3) Torque mounting bracket bolts mount bolt to 10 ft-lbs.
- 4) Torque Hex head screw to 16 ft-lbs.
- 5) Torque Hex head screw to 16ft-lbs.
- 6) Torque Socket cap screws to 10 ft-lbs.

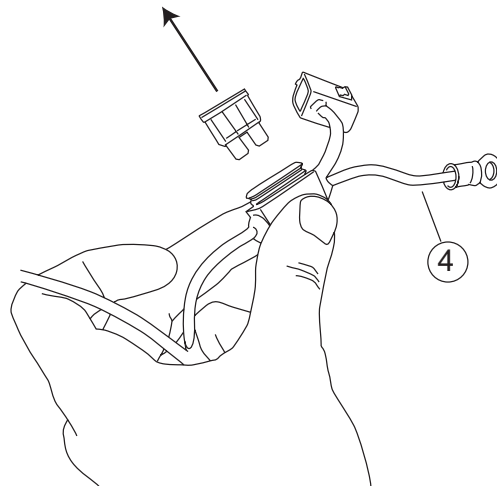
7

Install motor onto Rear Motor Linkage Assembly. See page 2 for motor installation instructions. This is the motor orientation for both rear linkages.



8

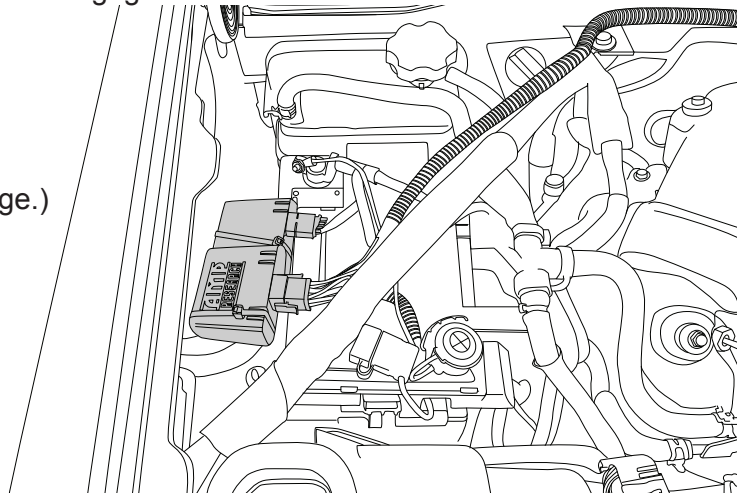
Remove fuse from harness.



9

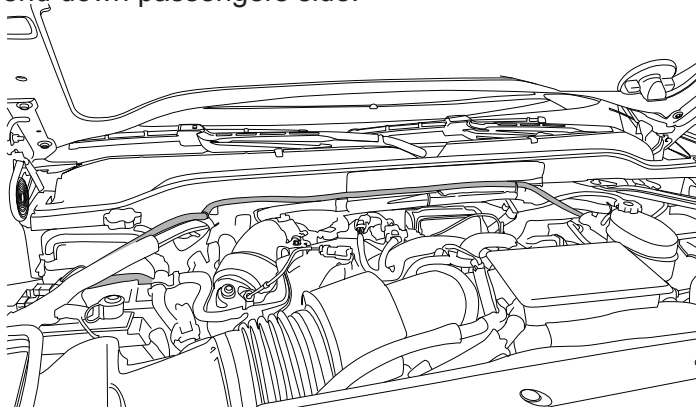
Using the two 11" cable ties, mount controller to the harness next to the battery. Attach power lead (RED wire) to positive pole on the battery and Negative lead (BLACK wire) to negative pole on the battery. **CAUTION:** Do not ground wrench when engaged with nut.

Plug in wire harness.
(Ensure that locking tabs engage.)



10

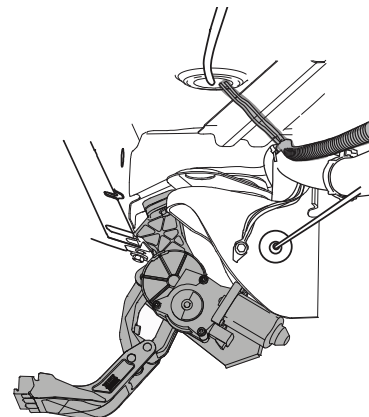
Route long end of wire harness above engine and down through drivers side wheel well. Zip tie harness to cowling clips on fire wall. Route short end down passengers side.



11

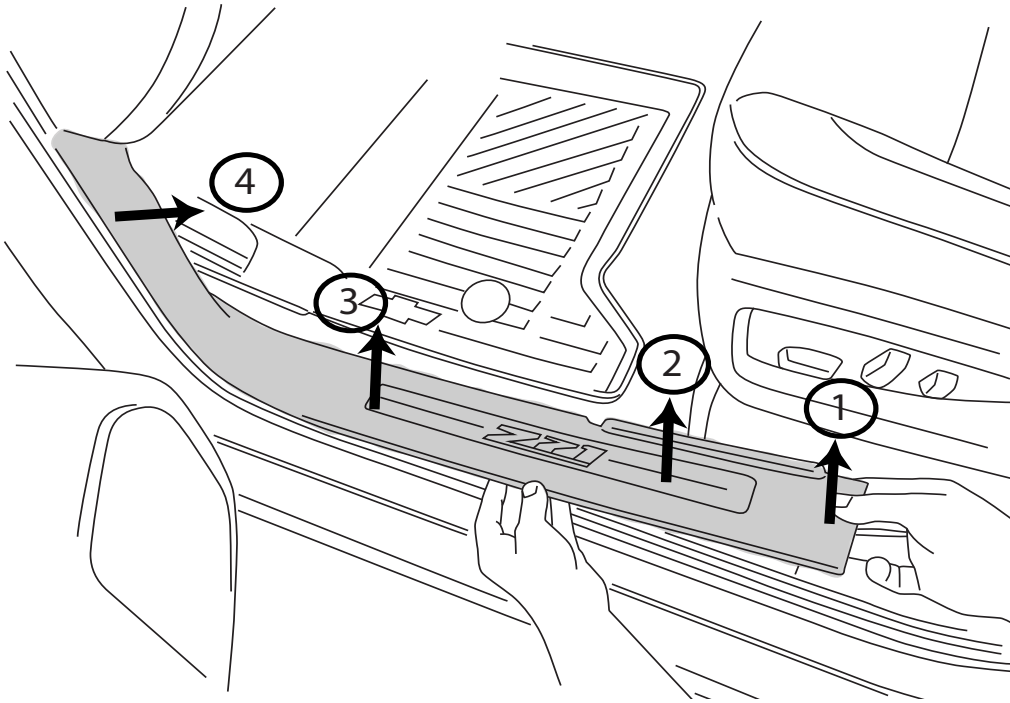
Secure with zip ties.

Route wire harness along the frame and back towards rear linkage. Secure with zip ties. Poke hole through rubber grommet near front door on underside of floor panel with small phillips screwdriver. Push both wires through hole.



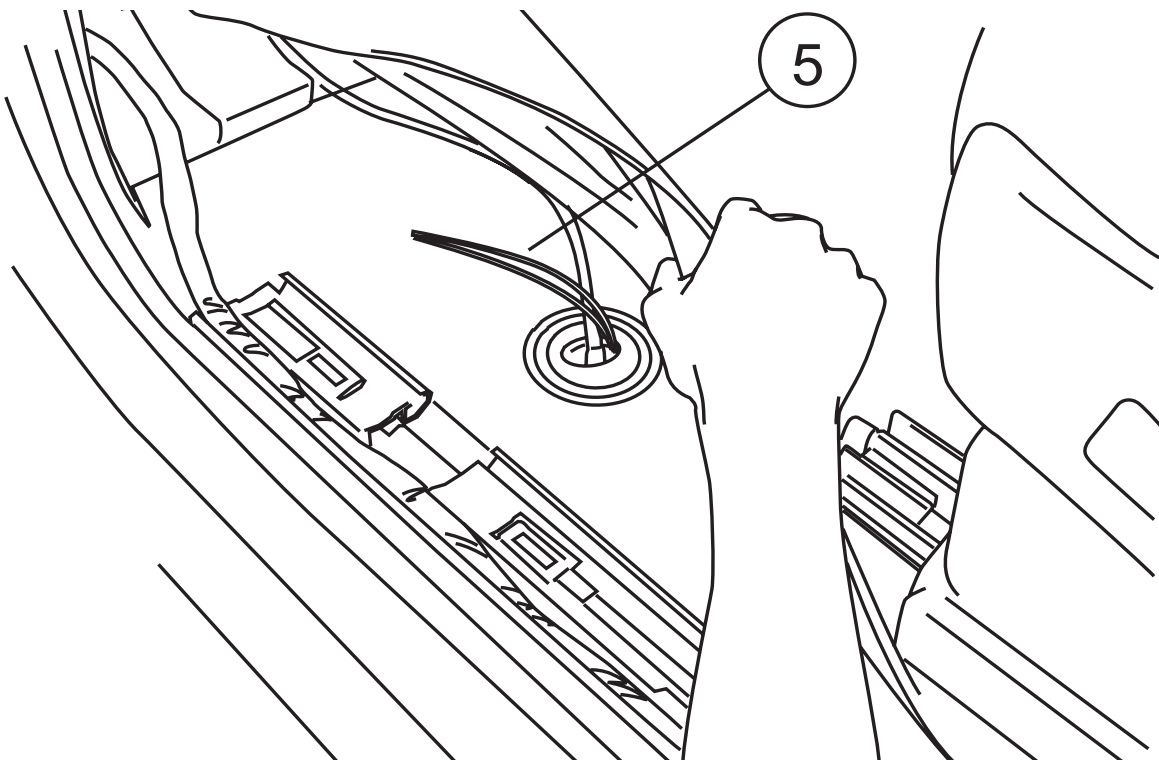
12

Pull up front door sill plate covers as shown.



13

Pull up the carpet and thread both wires through the floor panel

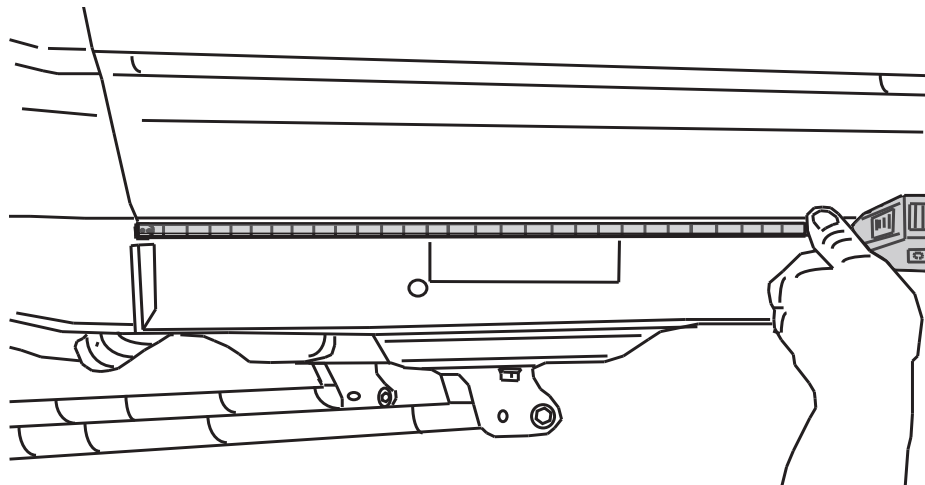


Seal holes with silicone glue and cover with tape so carpet does not stick to glue.

14

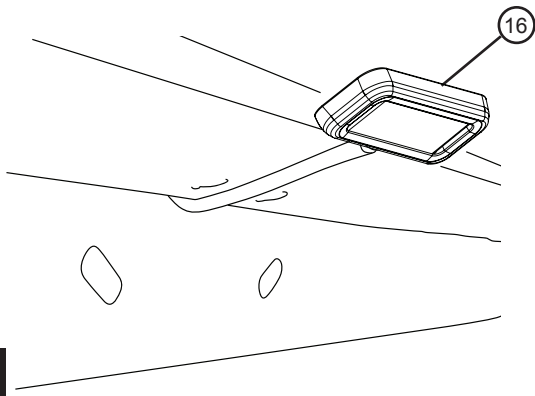
AMP RESEARCH POWERSTEP™ – CHEVROLET / GMC

On each side of the vehicle measure from the front edge of door line on the pinch weld to the specified lengths below. Measure at 22" for front LED Light and 65" for rear LED Light.



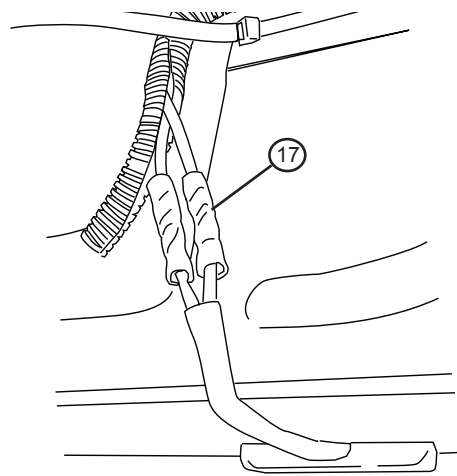
15

Affix lamp to rocker panel surface. Make sure the lamp is affixed to a clean, flat surface. There is a step down midway across the surface. Affix lamp just outside of step down.



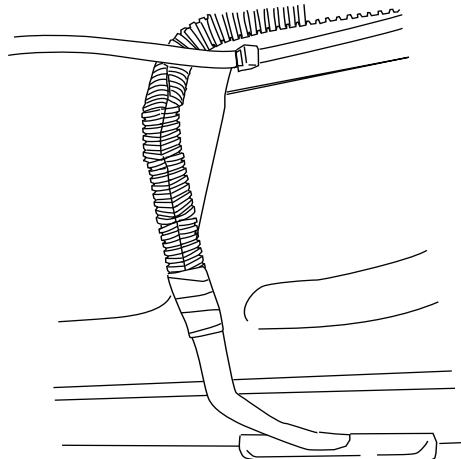
16

Using supplied butt connectors, connect the lamp wires. Red to Red, Black to Black. Once Crimped use heat gun to shrink tube.



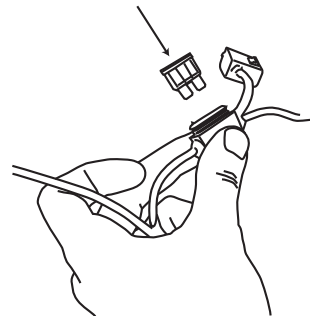
17

Close and wrap with conduit and electrical tape. Secure all loose wires with cable ties, with lamp wires pulled upward to avoid any wire snagging.



18

Reinstall fuse.

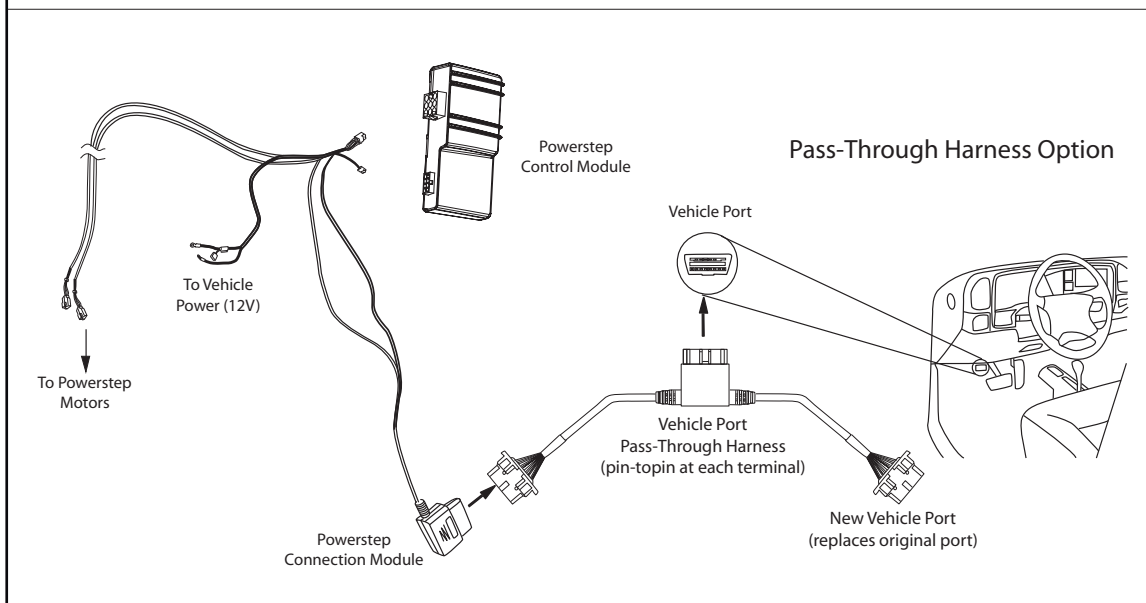
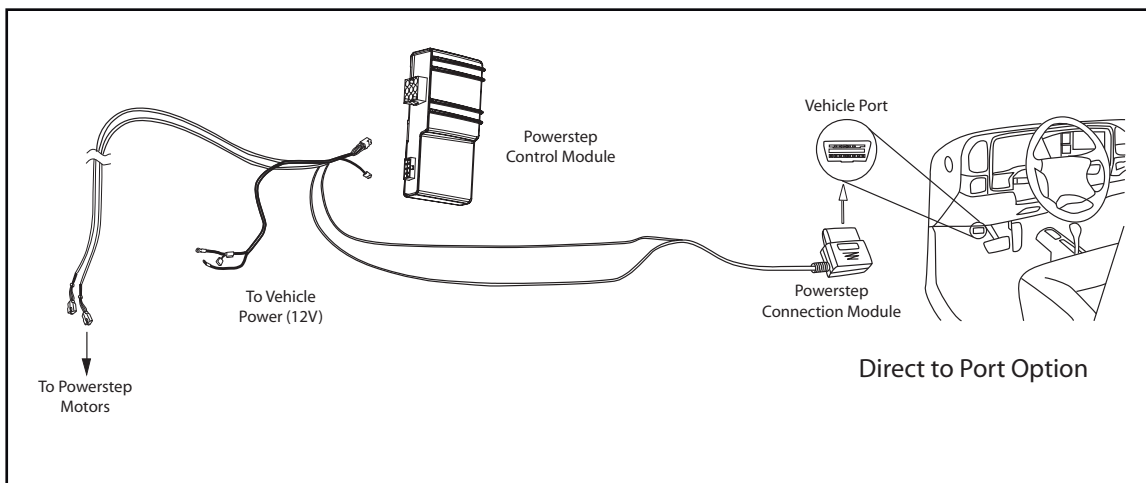
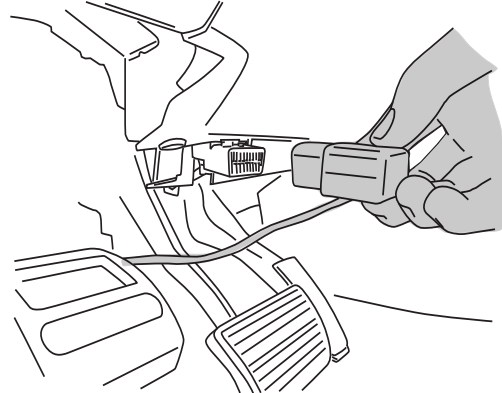
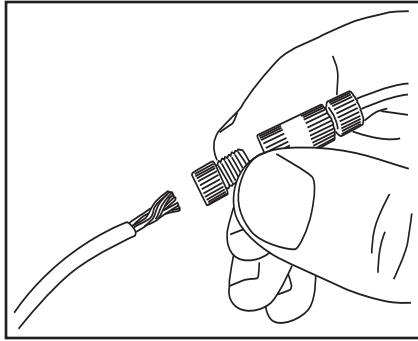


19

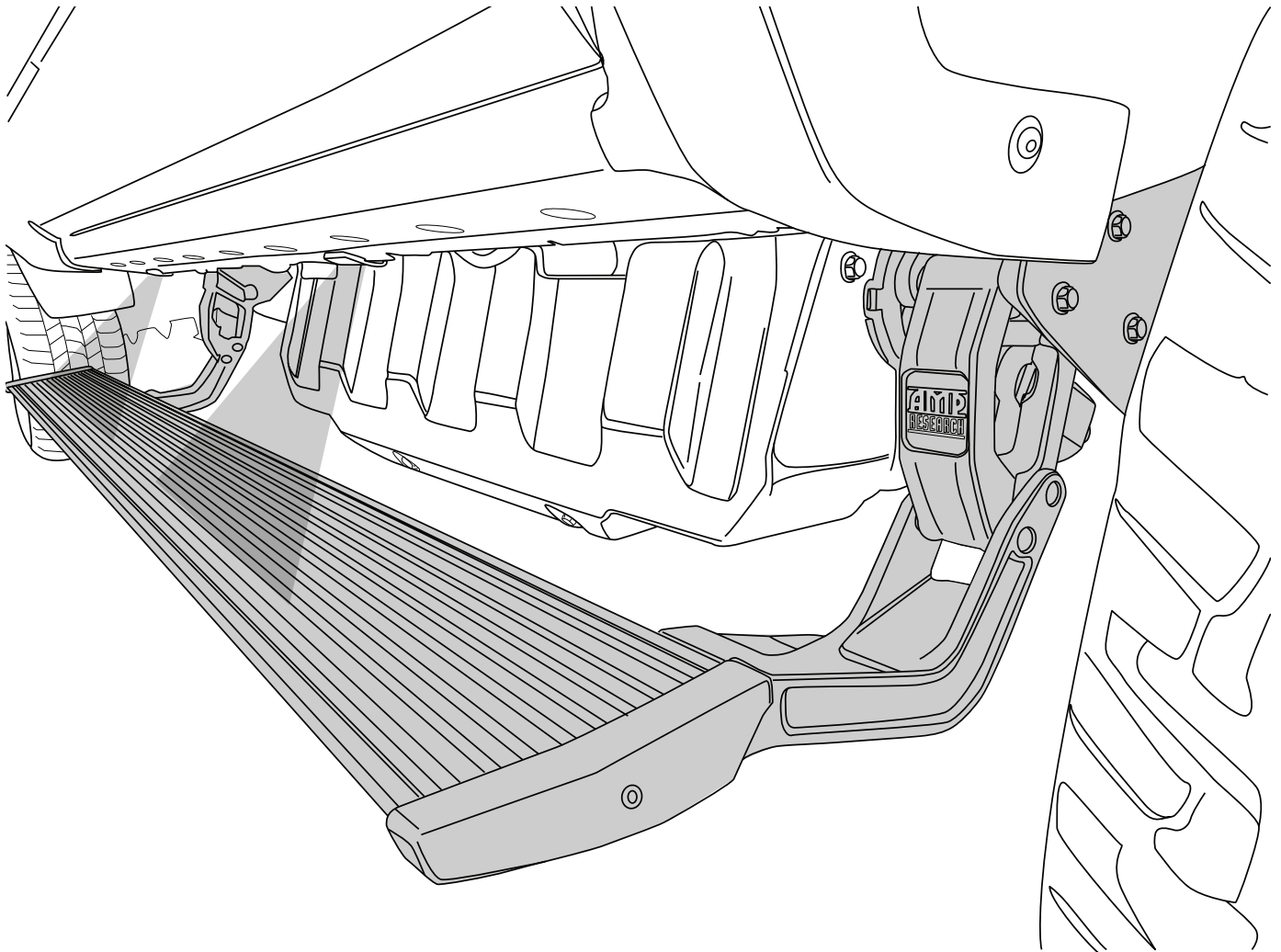
AMP RESEARCH POWERSTEP™ – CHEVROLET / GMC

OBD II install: Use Supplied Posi Twist connectors to attach the Plug and Play Module to the Harness. Attach matching colors on the harness to the wires on the module. Plug in module to OBD II port on the vehicle. Secure harness with supplied tie wraps.

Note: If the OBD II pass thru harness (76404-01A) was purchased see install sheet supplied in packaging. The pass through harness allows for an open port for other accessories. See below for a brief description.



Check that all doors activate the Power Step and the LED Lights work when doors open and close. Reinstall any remaining trim panels.



FINAL SYSTEM CHECK

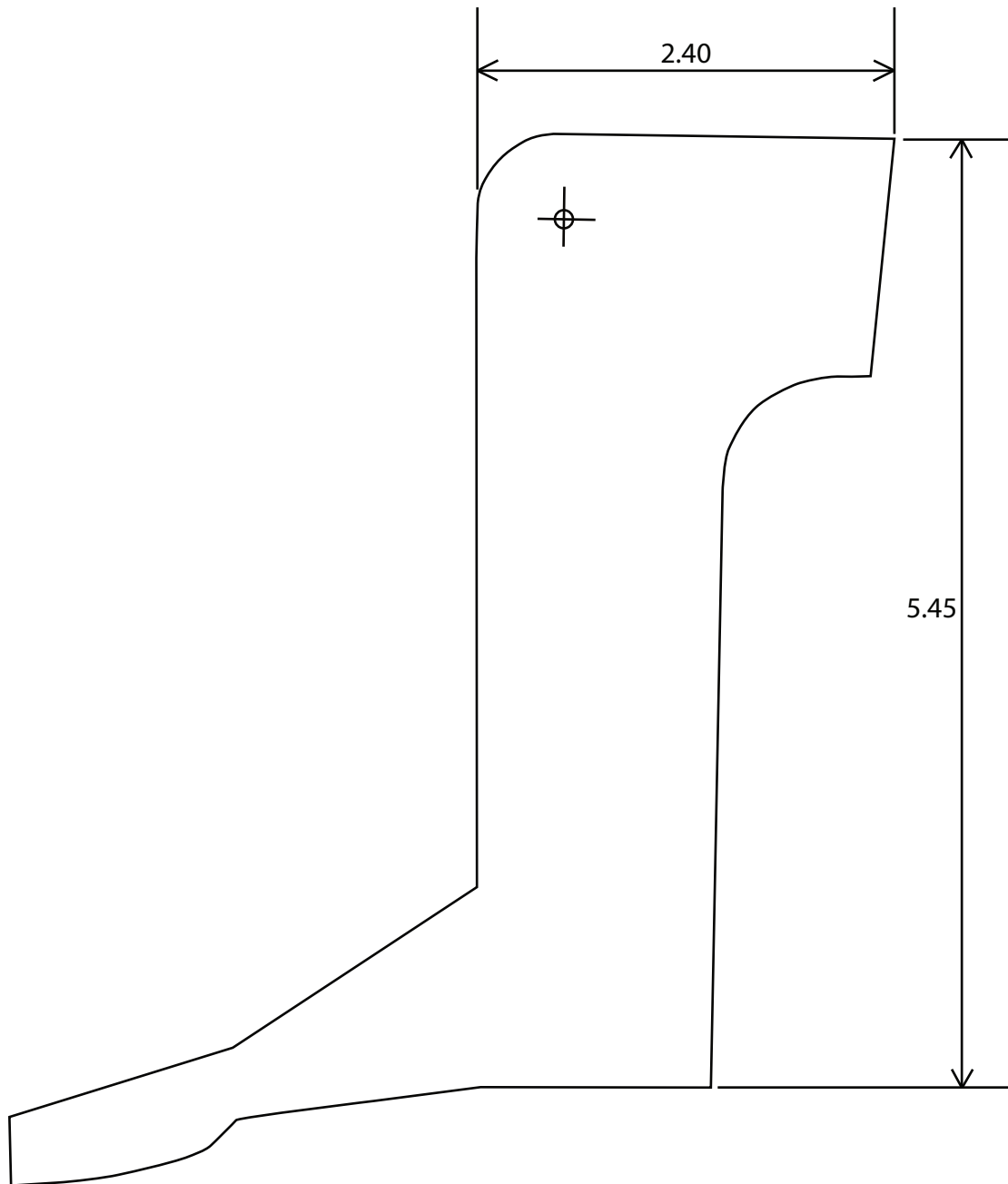
Check that all doors activate the PowerStep and the LED lights work when doors open and close.

NORMAL OPERATION: When the doors open, PowerStep automatically deploys from under the vehicle.

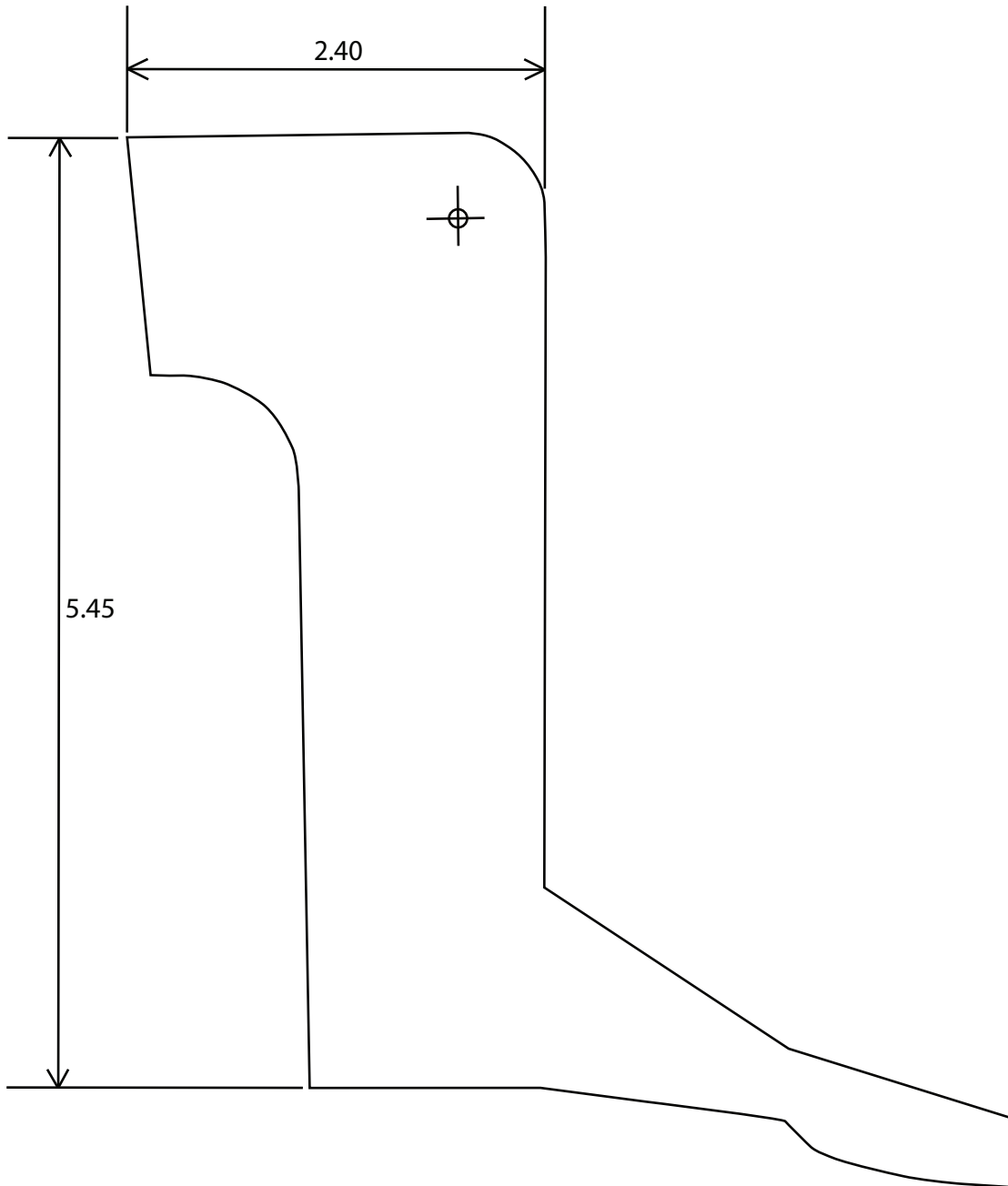
When the doors are closed, PowerStep will automatically return to the stowed/retracted position. **Note that there is a 2-second delay before the PowerStep returns to the stowed/retracted position.**

CORRECT OPERATION OF LIGHTS: All four lamps will illuminate upon opening any door of vehicle. Lamps will stay on until restowing of both Power Steps or until 5 minutes has expired with the doors open. When the lights timeout after 5 minutes, they can be reilluminated by closing and opening any door of vehicle.

Silverado Driver Side Trim Template. Verify dimensions for template sizing.



Silverado Passenger Side Trim Template. Verify dimensions for template sizing.





PowerStep™

AMERICAN DESIGNED, ENGINEERED AND MANUFACTURED.

Thank you for your recent AMP Research Purchase.

**REGISTER YOUR PRODUCT TODAY FOR
FASTER SERVICE & PRODUCT UPDATES**

Please visit:

www.amp-research.com/productregistration

or scan the QR Code



Product Registration Benefits:

- Ensure we have your purchase receipt and product info in our system which is required for warranty
- Faster and easier access to customer service and tech support in the unlikely event you need warranty or product support
- Registration helps us keep you up to date on product information and offers

To view other Amp Research products that may be offered for your vehicle.

Please visit: www.amp-research.com

Rev 01.05.21

POWER-DEPLOYABLE RUNNING BOARDS OPERATION: AMP Research PowerStep running boards automatically move when the doors are opened to assist entering and exiting the vehicle.



Automatic power deploy:

The running boards will extend down and out when the doors are opened.

Automatic power stow:

The running boards will return to the stowed position when the doors are closed. There will be a 2-second delay before the running boards move to the stowed position.

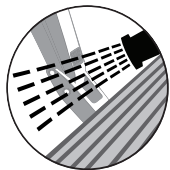
Automatic stop:

If an object is in the way of the moving running board, the running board will automatically stop. To reset, clear any obstruction, then simply open and close the door to resume normal operation.



Manually set in the deployed (OUT) position for access to the roof:

The running boards can be manually set in the deployed position by firmly holding the step down with your foot while at the same time closing the door. To resume normal operation, open and close the door.



Maintenance: In adverse conditions, debris such as mud, dirt, and salt may become trapped in the running board mechanism, possibly leading to unwanted noise. If this occurs, manually set the running boards to the deployed position and flush the front and rear hinge arms with a high-pressure car wash wand.

Avoid spraying the motors directly. After washing, apply silicone spray lubricant to the hinge pivot pins. Do not apply silicone, wax or protectants like Armor All® to the running board stepping surface.

Caution! Keep hands away when the running board is in motion.

5-YEAR LIMITED WARRANTY

AMP RESEARCH warrants this product to be free from defects in material and workmanship for FIVE (5) YEARS FROM DATE OF PURCHASE, provided there has been normal use and proper maintenance. This warranty applies to the original purchaser only. All remedies under this warranty are limited to the repair replacement of the product itself, or the repair or replacement of any component part thereof, found by the factory to be defective within the time period specified. The decision to repair or replace is wholly within the discretion of the manufacturer.

This warranty specifically excludes labor. If you have a warranty claim, first you must call our factory at the number below for instructions. You must retain proof of purchase and submit a copy with any items returned for warranty work. Upon completion of warranty work, if any, we will return the repaired or replaced item or items to you freight prepaid. Damage to our products caused by accidents, fire, vandalism, negligence, misinstallation, misuse, Acts of God, or by defective parts not manufactured by us, is not covered under this warranty.

ANY IMPLIED WARRANTIES OF MERCHANTABILITY AND/OR FITNESS FOR A PARTICULAR PURPOSE CREATED HEREBY ARE LIMITED IN DURATION TO THE SAME DURATION AND SCOPE AS THE EXPRESS WRITTEN WARRANTY. OUR COMPANY SHALL NOT BE LIABLE FOR ANY INCIDENTAL OR CONSEQUENTIAL DAMAGE.

Some states do not allow limitations on how long an implied warranty lasts, or the exclusion or limitation of incidental or consequential damages, so the above limitations or exclusions may not apply to you. This warranty gives you specific legal rights, and you may also have other rights that vary from state to state.

FOR WARRANTY ISSUES WITH THIS PRODUCT PLEASE CALL AMP RESEARCH CUSTOMER SERVICE 1-888-983-2204

WARNING

Be sure to read and precisely follow the provided instructions when installing this product. Failure to do so could place the vehicle occupants in a potentially dangerous situation. After installing or reinstalling, re-check to insure that the product is properly installed.