

# Airaid

## INSTALLATION INSTRUCTIONS

204-290 704-510 Airaid Oiled Media Filter

205-290 705-510 SynthaMax Dry Media Filter

2020-24 CHEVROLET SILVERADO 2500/3500 HD

2020-24 GMC SIERRA 2500/3500 HD

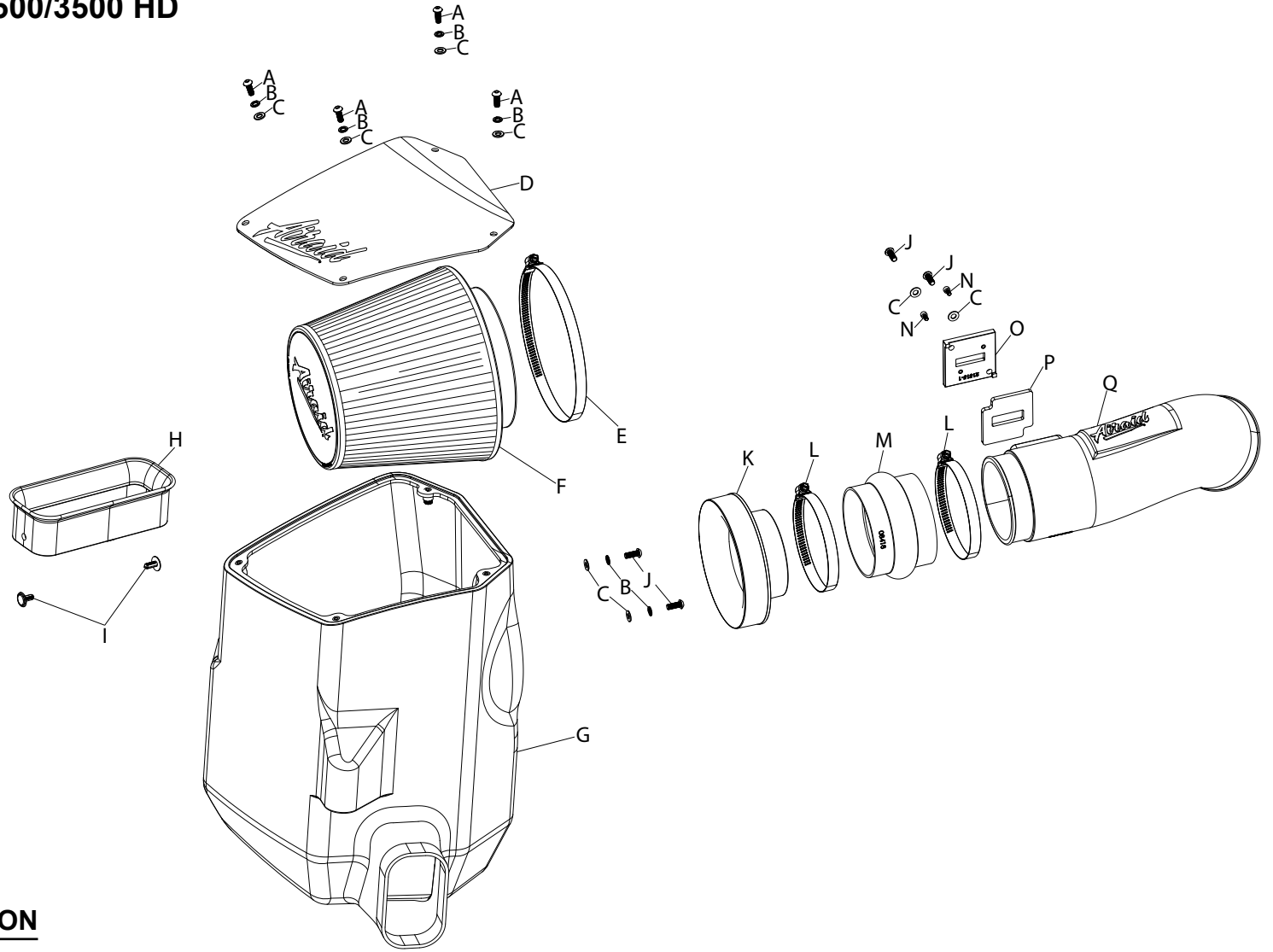
V8-6.6L TURBO DIESEL

NOT LEGAL FOR SALE OR USE ON ANY POLLUTION CONTROLLED MOTOR VEHICLE IN CALIFORNIA OR STATES ADOPTING CALIFORNIA EMISSION PROCEDURES.

See Airaid.com for CARB status on each part for a specific vehicle

### TOOLS NEEDED:

Flat blade screw driver  
4mm allen key  
5mm allen key  
10mm wrench  
10mm socket  
ratchet  
extension



### COMPONENT IDENTIFICATION

Description	Qty.	Part #	Description	Qty.	Part #	Description	Qty.	Part #
A BOLT; M6 X 1 X 16MM BTNHD	4	07730	G AIRBOX; (OZ)	1	087504	M HOSE; HUMP 4"ID X 3"L	1	08418
B WASHER; M6 SPLIT LOCK	6	1-3025	H HOOD SEAL	1	084112	N BOLT; M4-.7 X 8MM ALNHD	2	07733
C WASHER; 6MM FLAT	8	08269	I RIVET; TUFLOK	2	345010	O ADAPTOR; MAF SENSOR	1	21515-1
D LID; CLEAR	1	088087	J BOLT; M6-1 X 12MM BTNHD	4	07794	P GASKET; 3/16" PORON	1	09069
E HOSE CLAMP; #104	1	08697	K ADAPTOR; #454	1	27300	Q TUBE; (OY)	1	087503A
F AIR FILTER; CONE	1	704/705-510	L HOSE CLAMP #6; STAINLESS	2	08645			

Full color instructions can be viewed on our web site at [Airaid.com](http://Airaid.com). If you need any assistance please call 1-800-498-6951 to speak with a representative in our Customer Service Center before returning the product.

### TO START:

1. Turn off the ignition and disconnect the negative battery cable.

**NOTE: Disconnecting the negative battery cable erases pre-programmed electronic memories. Write down all memory settings before disconnecting the negative battery cable. Some radios will require an anti-theft code to be entered after the battery is reconnected. The anti-theft code is typically supplied with your owner's manual. In the event your vehicles anti-theft code cannot be recovered, contact an authorized dealership to obtain your vehicles anti-theft code.**



2. Loosen the two hose clamps securing the factory intake hose and then remove the hose from the vehicle.



3. Disconnect the mass air sensor electrical connection.



4. Remove the nut that secures the air filter housing into the vehicle and then lift up and remove the air filter housing from the vehicle.



5. Using the provided push pins, install the fresh air intake hood seal onto the K&N air filter housing.



6. Set the AIRAID air filter housing into the vehicle so the studs protrude into the factory mounting grommets.

## Continued...



7. Set the air filter into the filter housing.



8. Install the filter adapter into the filter housing and secure with the provided hardware.



9. Slide the air filter onto the filter adapter and secure with the provided hose clamp.



10. Install the lid onto the air filter housing as shown and secure with the provided hardware.



11. Install the provided hump coupler onto the filter adapter and secure with the provided hose clamp.



12. Remove the mass air sensor from the factory air filter housing. Assemble the mass air sensor, adapter and gasket as shown.



13. Install the mass air sensor assembly into the AIRAID intake tube and secure with the provided hardware. Be sure to install the sensor in the correct direction as shown.



14. Install the intake tube assembly into the coupler at the filter adapter and then into the factory coupler, adjust the tube for best fit and secure with the hose clamps.



15. Reconnect the mass air sensor electrical connection.



**16. Double check your work!**

Make sure there is no foreign material in the intake path. Make sure all clamps, hoses, bolts, and screws are tight. Double check the hood clearance! **Reconnect the negative battery cable!**

Thank you for purchasing the Airaid Intake System. Contact Airaid @ (800) 498-6951 8:00 AM - 5:00 PM MST weekdays for questions regarding fit or instructions that are not clear to you. Your Airaid Intake System was carefully inspected and packaged. Check that no parts are missing, or were damaged during shipping. If any parts are missing, contact Airaid. The air filter element is protected from direct exposure to water and debris; care should be taken not to drive through deep water. **WATER INGESTION IS THE DRIVERS RESPONSIBILITY!** The air filter is reusable and should be cleaned periodically.

For your Oiled media filter we offer the Airaid Tune Up Kit!



P/N 790-551 Aerosol Spray  
P/N 790-550 Squeeze Spray



**NOT LEGAL FOR SALE OR USE ON ANY POLLUTION CONTROLLED MOTOR VEHICLE IN CALIFORNIA OR STATES ADOPTING CALIFORNIA EMISSION PROCEDURES.**

See Airaid.com for CARB status on each part for a specific vehicle

*SynthaMax*

Synthamax Air Filters do not require oil. Service air filter as needed by cleaning with common non-petroleum all-purpose household cleaner and water. Simple Green®, Formula 409® or equivalent works great. Apply cleaner to outside of air filter and allow to soak. Then flush filter clean from the inside out with a garden hose and repeat steps if necessary. Do not apply high pressure water or air to clean filter. Allow filter to air dry and reinstall.