



Modular Intake Tube

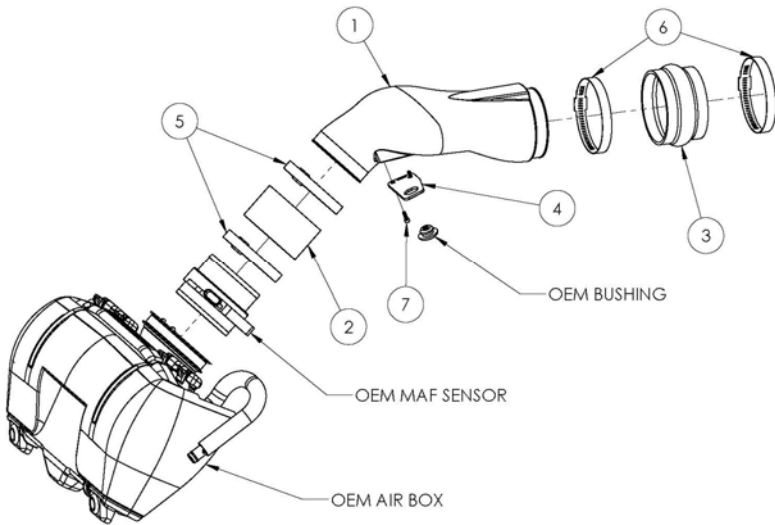
NOT LEGAL FOR SALE OR USE ON ANY POLLUTION CONTROLLED MOTOR VEHICLE IN CALIFORNIA OR STATES ADOPTING CALIFORNIA EMISSION PROCEDURES.

See AIRAID.COM for CARB status on each part for a specific vehicle.

Installation Instructions For Part Number

250-992

2001-2004 Chevrolet Corvette
5.7L V8 All Models



Component Identification

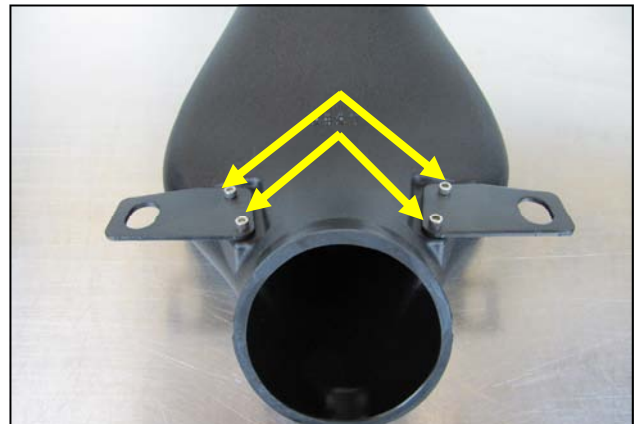
1	Intake Tube	1
2	Silicone Coupler	1
3	Hump Hose	1
4	Bracket	2
5	#56 Hose Clamp	2
6	#64 Hose Clamp	2
7	8-32 Socket Head Screw	4

Full color instructions can be viewed on our web site at Airaid.com. If you need any assistance please call 1-800-858-3333 to speak with a representative in our Customer Service Center before returning the product.

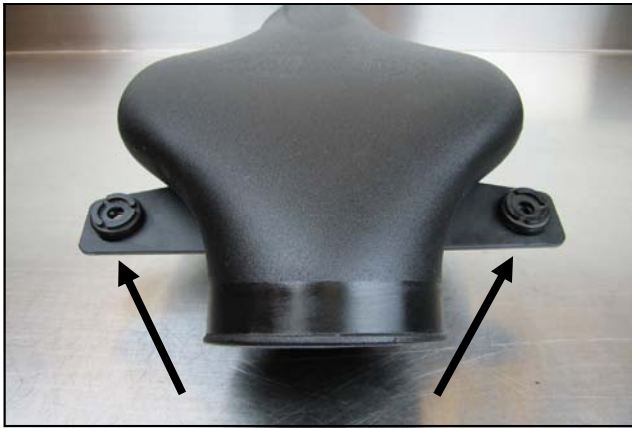


1. Disconnect the negative battery cable!

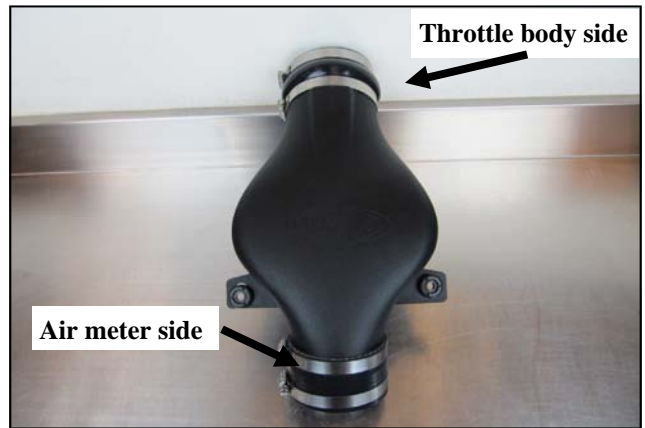
Loosen the intake tube clamps on the throttle body and the Mass Air Flow meter. Unseat the intake tube mounting grommets from the posts on the radiator shroud and remove the factory intake tube.



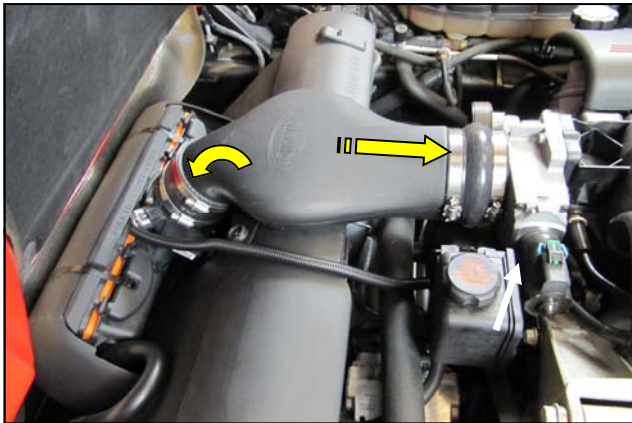
2. Install the Tube Brackets onto the Intake Tube as shown using the 8-32 Socket Head Screws (# 4)



3. Transfer the factory intake tube mounting grommets into the Tube Brackets as shown.



4. Slide the Hump Hose and #64 clamps onto the throttle body side of the Intake Tube and the Coupler and #56 Clamps onto the air meter side. Leave all clamps loose at this time.



5. Install the Airaid Tube assembly onto the throttle body and lower it downward towards the Mass Air Flow meter.

Slide the coupler all the way down onto the MAF and secure the Intake grommets onto the posts on the radiator shroud.



6. Check the alignment of all the intake components and adjust if necessary. Begin tightening the clamps from the front of the intake and move back towards the throttle body. Reconnect the battery.



NOT LEGAL FOR SALE OR USE ON ANY POLLUTION CONTROLLED MOTOR VEHICLE IN CALIFORNIA OR STATES ADOPTING CALIFORNIA EMISSION PROCEDURES.

See AIRAID.COM for CARB status on each part for a specific vehicle.

AIR-I25992B

REV.07.07.16