



Installation Instructions

For Part Numbers:

312-393 702-462 SynthaMax Dry Media Filter - Black

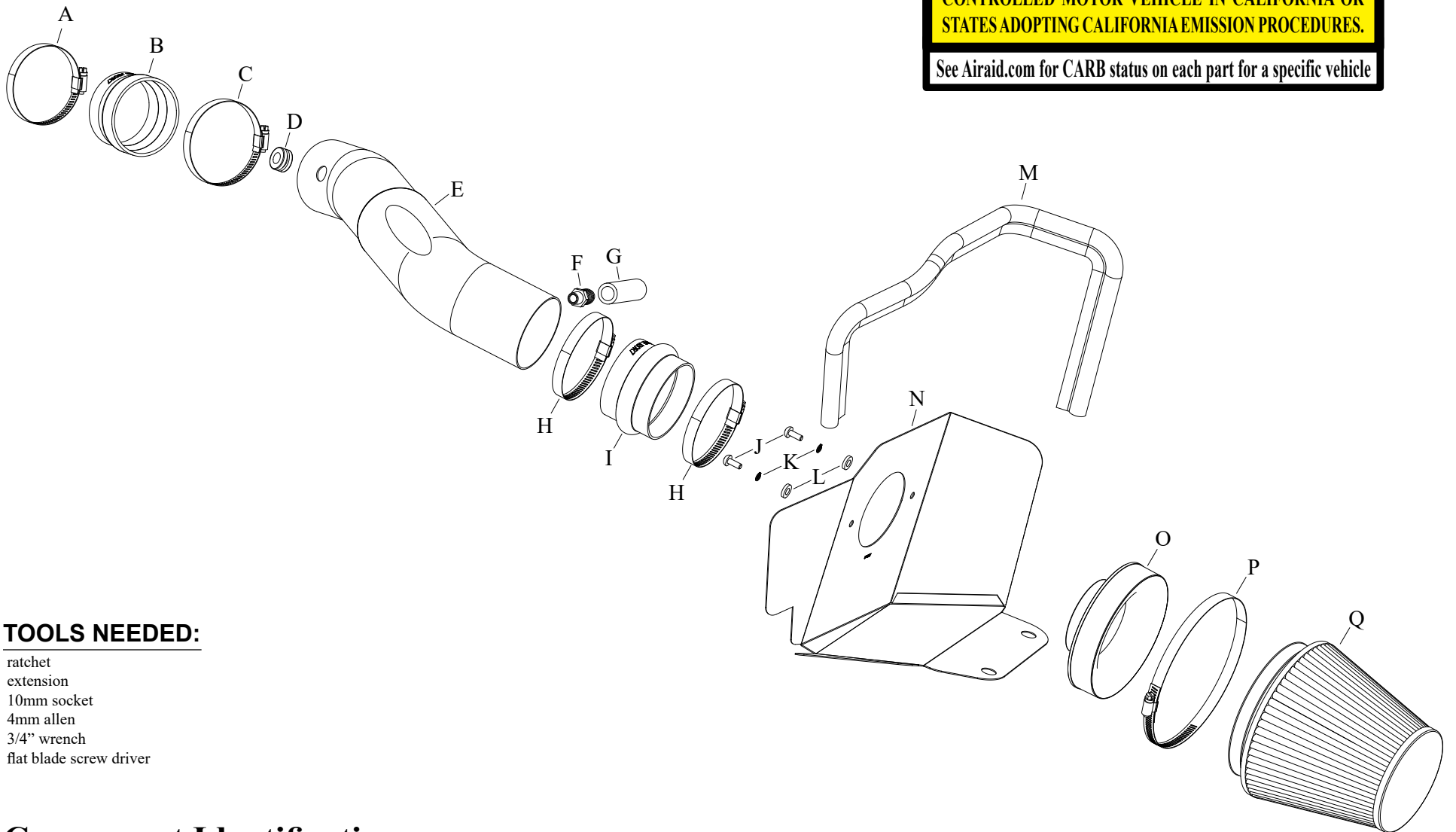
2016-19 JEEP Grand Cherokee

2016-19 DODGE Durango

V6-3.6L

NOT LEGAL FOR SALE OR USE ON ANY POLLUTION CONTROLLED MOTOR VEHICLE IN CALIFORNIA OR STATES ADOPTING CALIFORNIA EMISSION PROCEDURES.

See Airaid.com for CARB status on each part for a specific vehicle



TOOLS NEEDED:

ratchet
extension
10mm socket
4mm allen
3/4" wrench
flat blade screw driver

Component Identification

Description	Qty.	Part #	Description	Qty.	Part #	Description	Qty.	Part #
A HOSE CLAMP #48	1	08601	G HOSE; 5/8" ID X 3" L	1	08464	M EDGE TRIM (55")	1	102480
B HOSE; 3-1/4" TO 3" ID X 2" L	1	08186	H HOSE CLAMP #56	2	08620	N HEAT SHIELD	1	074087
C HOSE CLAMP #52	1	08610	I HOSE; 3-1/2" ID X 2-1/2" L	1	08699	O ADAPTER; UNIVERSAL, 6"	1	21512-1
D GROMMET; 1"OD,1/2"ID,1/2"	1	08064	J BOLT; M6 X 1.00 X 16MM, SS	2	07730	P HOSE CLAMP # 104	1	08697
E INTAKE TUBE	1	KIT27669TK	K WASHER, M6 SPLIT LOCK ZINC	2	1-3025	Q AIR FILTER	1	702-462
F VENT; STRT, 5/8 BARBED 1/4"	1	08911-1	L WASHER; 1/4"ID X 5/8"OD	2	08275			

Full color instructions can be viewed on our web site at Airaid.com. If you need any assistance please call 1-800-498-6951 to speak with a representative in our Customer Service Center before returning the product.

TO START:

1. Turn off the ignition and disconnect the negative battery cable.

NOTE: Disconnecting the negative battery cable erases pre-programmed electronic memories. Write down all memory settings before disconnecting the negative battery cable. Some radios will require an anti-theft code to be entered after the battery is reconnected. The anti-theft code is typically supplied with your owner's manual. In the event your vehicles anti-theft code cannot be recovered, contact an authorized dealership to obtain your vehicles anti-theft code.



2. Lift up the inspection cover and remove the bolt that secures the decorative engine cover. Then remove the decorative engine cover from the vehicle.

NOTE: The cover is also secured by four mounting studs and grommets



3. Disconnect the inlet air temperature sensor electrical connection.



4. Loosen the hose clamps securing the intake tube to the throttle body and air filter housing and then remove the intake tube assembly from the vehicle.

NOTE: The intake tube assembly is also held on by two mounting studs and grommets.



5. Disconnect the crank case vent tube from the elbow attached to the factory air filter housing as shown.



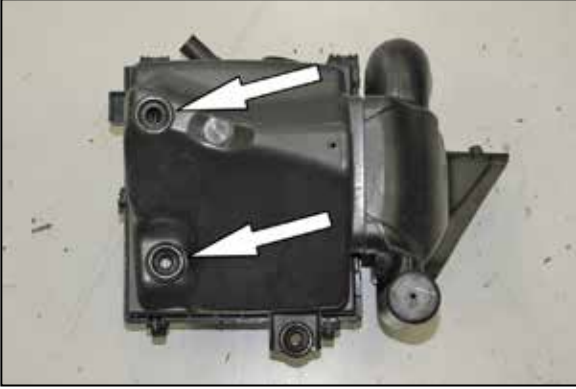
6. Unhook the hood seal mounting pin from the fresh air intake scoop.

Continued...

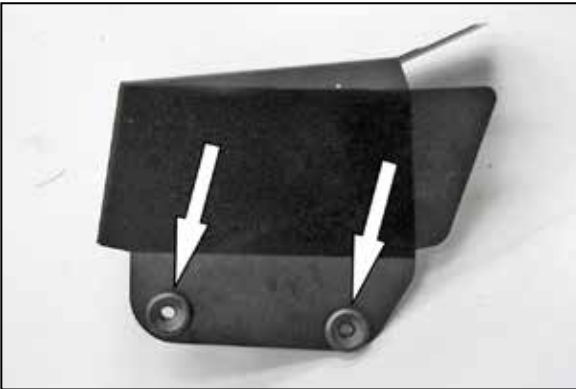


7. Lift up the air filter housing to dislodge it from the mounting grommets and then remove it from the vehicle.

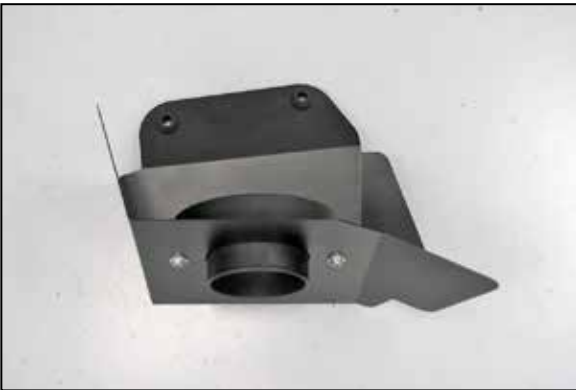
NOTE: AIRAID recommends that customers do not discard factory air intake.



8. Remove two of the mounting grommets from the factory air filter housing.



9. Install the two mounting grommets from the previous step into the AIRAID® heat shield as shown.



10. Install the filter adapter into the AIRAID® heat shield and secure with the provided hardware as shown.



11. Install the provided edge trim onto the heat shield as shown.

NOTE: Some trimming of the edge trim will be necessary.



12. Install the provided hump coupler (08699) onto the filter adapter and secure with the provided hose clamp.



13. Install the AIRAID® air filter onto the filter adapter and secure with the provided hose clamp.



14. Install the heat shield/Air filter assembly onto the air filter housing mounting studs as shown.



15. Remove the inlet air temperature sensor from the factory intake tube.

NOTE: The inlet air temperature sensor is very fragile, use care while removing the sensor.



16. Install the provided grommet into the AIRAID® intake tube, then remove the O-Ring from the inlet air temperature sensor and then install the sensor into the grommet installed into the AIRAID® intake tube.
NOTE: The inlet air temperature sensor is very fragile, use care while handling the sensor.



17. Install the provided vent fitting into the AIRAID® intake tube as shown.

NOTE: Plastic NPT fittings are easy to cross thread. Install the vent fitting “hand” tight, then turn it two complete turns with a wrench.



18. Install the provided step coupler onto the throttle body and secure with the provided hose clamp.



19. Install the AIRAID® intake tube into the coupler at the throttle body and then into the hump coupler, adjust the tube for best fit and then secure with the provided hose clamps.

NOTE: Due to manufacturer tolerance, the A/C line may need to be slightly repositioned to prevent contact with the intake tube and hose.



20. Reconnect the inlet air temperature sensor electrical connection.



21. Install the provided crank case vent hose onto the fitting installed into the AIRAID® intake tube and then connect the other end to the factory crank case vent tube.

Continued...



22. Reinstall the decorative engine cover and secure with the factory bolt.



23. Double check your work!

Make sure there is no foreign material in the intake path. Make sure all clamps, hoses, bolts, and screws are tight. Double check the hood clearance!

Reconnect the negative battery cable!

Thank you for purchasing the Airaid Intake System. Contact Airaid @ (800) 498-6951 8:00 AM - 5:00 PM MST weekdays for questions regarding fit or instructions that are not clear to you. Your Airaid Intake System was carefully inspected and packaged. Check that no parts are missing, or were damaged during shipping. If any parts are missing, contact Airaid. The air filter element is protected from direct exposure to water and debris; care should be taken not to drive through deep water.

WATER INGESTION IS THE DRIVERS RESPONSIBILITY! The air filter is reusable and should be cleaned periodically.

FILTER IDENTIFICATION

702-462 Airaid SynthaMax Dry Media - Black

For your Oiled media filter we offer the Airaid Tune Up Kit!



P/N 790-551 Aerosol Spray
P/N 790-550 Squeeze Spray



NOT LEGAL FOR SALE OR USE ON ANY POLLUTION CONTROLLED MOTOR VEHICLE IN CALIFORNIA OR STATES ADOPTING CALIFORNIA EMISSION PROCEDURES.

See Airaid.com for CARB status on each part for a specific vehicle



Synthamax Air Filters **do not** require oil. Service air filter as needed by cleaning with common non-petroleum all-purpose household cleaner and water. Simple Green®, Formula 409® or equivalent works great. Apply cleaner to outside of air filter and allow to soak. Then flush filter clean from the inside out with a garden hose and repeat steps if necessary. Do not apply high pressure water or air to clean filter. Allow filter to air dry and reinstall.