



Installation Instructions

For Part Numbers:

314-360 704-409 Airaid Oiled Media Filter

315-360 705-409 SynthaMax Dry Media Filter

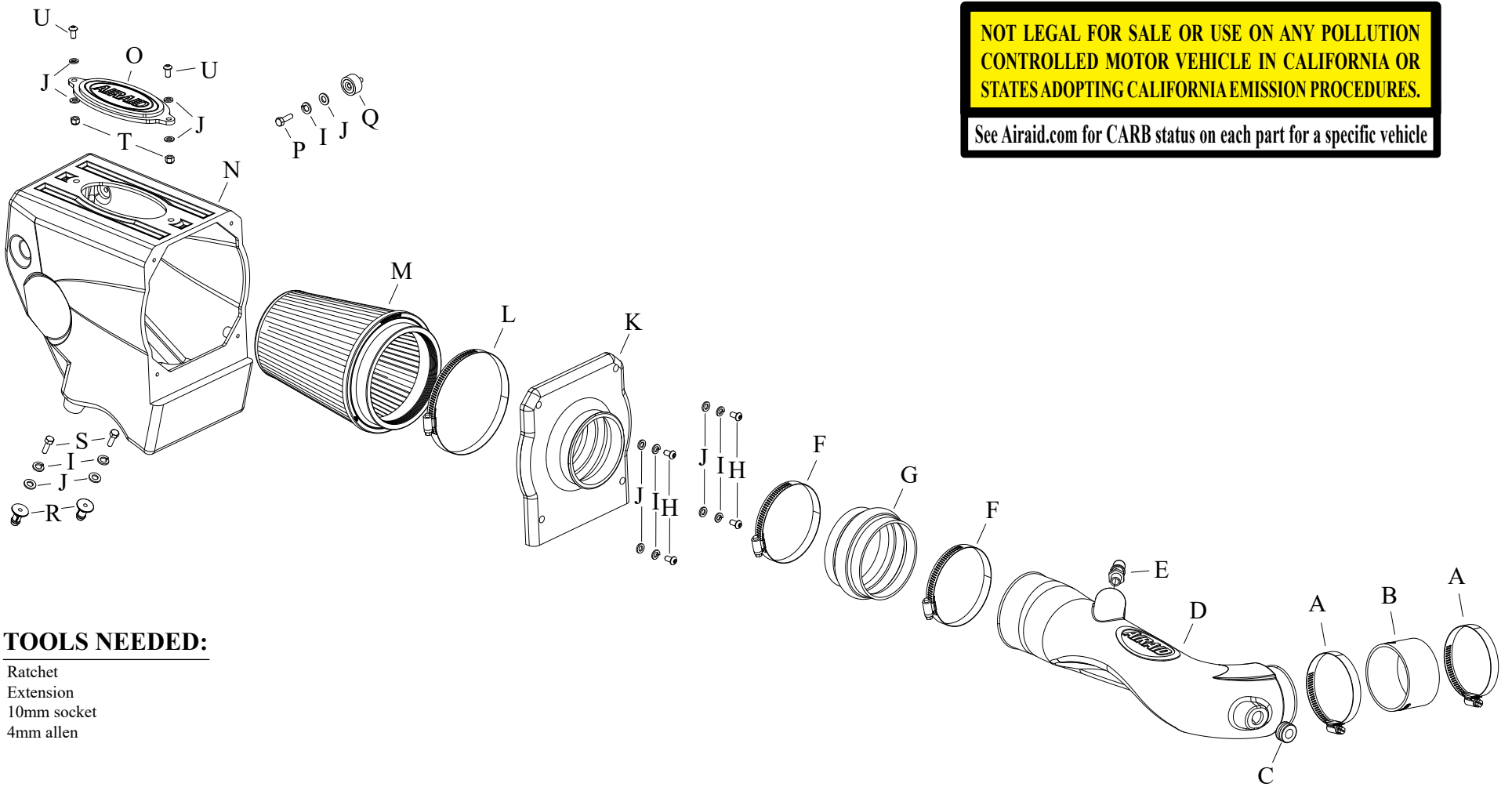
2018-21 JEEP Wrangler JL

2020-21 JEEP Gladiator

V6-3.6L

NOT LEGAL FOR SALE OR USE ON ANY POLLUTION CONTROLLED MOTOR VEHICLE IN CALIFORNIA OR STATES ADOPTING CALIFORNIA EMISSION PROCEDURES.

See Airaid.com for CARB status on each part for a specific vehicle



TOOLS NEEDED:

- Ratchet
- Extension
- 10mm socket
- 4mm allen

Component Identification

Description	Qty.	Part #	Description	Qty.	Part #	Description	Qty.	Part #
A HOSE CLAMP; #52	2	08610	H BOLT; M6-1.00 X 25MM,BH,SS	4	07729	O PLATE; AIRAID LOGO - CLEAR	1	KITLOGOP
B HOSE; 3.25"ID X 2"L REIN.	1	08690	I WASHER, M6 SPLIT LOCK ZINC	7	1-3025	P BOLT; M6-1.00 X 16MM, SS	1	07812
C GROMMET; 1"OD,1/2"ID,1/2"	1	08064	J WASHER; 6MM FLAT, SS	11	08269	Q STUD; RUBBER MNT, M/F, 1/2"L	1	070228
D INTAKE TUBE	1	KIT360A	K AIR BOX LID	1	KIT360LIDA	R MOUNT, PLASTIC AIRBOX	2	8-186-1
E VENT; 1/4 NPT QUICK	1	082628	L HOSE CLAMP; #80	1	08694	S BOLT; M6 X 1.00" X 20MM HEX	2	07795
F HOSE CLAMP; #64	2	08645	M AIRAID FILTER	1	704/705-409	T NUT; 6MM NYLOCK, HEXHEAD	2	07512
G HUMP HOSE; 4"ID X 3"L	1	08418	N AIR BOX	1	KIT360CAB	U SCREW; M6 X 20MM, BUTTON	2	KIT20BHC3060

Full color instructions can be viewed on our web site at Airaid.com. If you need any assistance please call 1-800-498-6951 to speak with a representative in our Customer Service Center before returning the product.

TO START:

1. Turn off the ignition and disconnect the negative battery cable.

NOTE: Disconnecting the negative battery cable erases pre-programmed electronic memories. Write down all memory settings before disconnecting the negative battery cable. Some radios will require an anti-theft code to be entered after the battery is reconnected. The anti-theft code is typically supplied with your owner's manual. In the event your vehicles anti-theft code cannot be recovered, contact an authorized dealership to obtain your vehicles anti-theft code.



2. Disconnect the inlet air temperature sensor electrical connection and unhook the wiring harness from the intake plenum.



3. Remove the two bolts that secure the intake tube to the core support. Disconnect the crank case vent line, Loosen the two hose clamps and then remove the factory intake tube from the vehicle.



4. Remove the bolt that secures the fresh air duct to the inner fender and remove the factory air box.
NOTE: AIRAID recommends that customers do not discard factory air intake.



5. Install the provided coupler hose onto the Throttle body and secure with the provided hose clamp.



6. Install the provided grommet into the AIRAID® intake tube. Remove the inlet air temperature sensor from the factory intake tube, Remove the O-ring from the sensor and then install the sensor into the grommet installed into the AIRAID® intake tube.

NOTE: Use caution while handling the inlet air temperature sensor as it is very fragile.

Continued...



7. Install the provided quick disconnect vent into the AIRAID® intake tube as shown.

NOTE: Plastic NPT fittings are easy to cross thread. Install the vent fitting “hand” tight, then turn it two complete turns with a wrench.



8. Install the AIRAID® window into the air filter housing using the provided hardware.



9. Install the two provided mounts onto the bottom of the air filter housing using the provided hardware.



10. Install the air filter and hump coupler onto the filter housing side panel as shown and secure with the provided hose clamps.



11. Install the side panel assembly into the filter housing and secure with the provided hardware.



12. Install the provided rubber mounted stud into the fender bracket as shown.



13. Install the air filter housing assembly into the vehicle so the mounting studs insert into the factory air filter housing mounting grommets, then align the housing with rubber mounted stud and secure with the provided hardware.



14. Install the intake tube into the hump coupler and then into the coupler at the throttle body, adjust the tube for best fit and secure with the provided hose clamps.



15. Reconnect the inlet air temperature sensor electrical connection.



16. Connect the factory crank case vent hose to the quick disconnect fitting installed into the AIRAID® intake tube.



17. Double check your work!

Make sure there is no foreign material in the intake path. Make sure all clamps, hoses, bolts, and screws are tight. Double check the hood clearance!

Reconnect the negative battery cable!

Thank you for purchasing the Airaid Intake System. Contact Airaid @ (800) 498-6951 8:00 AM - 5:00 PM MST weekdays for questions regarding fit or instructions that are not clear to you. Your Airaid Intake System was carefully inspected and packaged. Check that no parts are missing, or were damaged during shipping. If any parts are missing, contact Airaid. The air filter element is protected from direct exposure to water and debris; care should be taken not to drive through deep water.

WATER INGESTION IS THE DRIVERS RESPONSIBILITY! The air filter is reusable and should be cleaned periodically.

FILTER IDENTIFICATION

704-409 Airaid Oiled Media

705-409 Airaid SynthaMax Dry Media

For your Oiled media filter we offer the Airaid Tune Up Kit!



P/N 790-551 Aerosol Spray
P/N 790-550 Squeeze Spray



NOT LEGAL FOR SALE OR USE ON ANY POLLUTION CONTROLLED MOTOR VEHICLE IN CALIFORNIA OR STATES ADOPTING CALIFORNIA EMISSION PROCEDURES.

See Airaid.com for CARB status on each part for a specific vehicle

SynthaMax

Synthamax Air Filters **do not** require oil. Service air filter as needed by cleaning with common non-petroleum all-purpose household cleaner and water. Simple Green®, Formula 409® or equivalent works great. Apply cleaner to outside of air filter and allow to soak. Then flush filter clean from the inside out with a garden hose and repeat steps if necessary. Do not apply high pressure water or air to clean filter. Allow filter to air dry and reinstall.