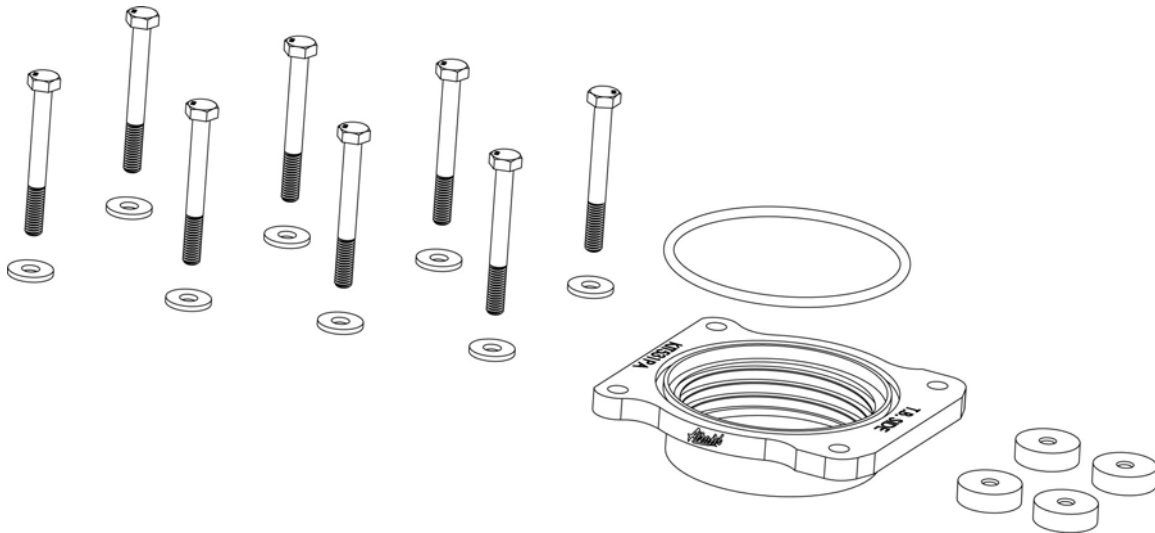




**# 400-531 INSTALLATION INSTRUCTIONS**  
**2004-2010 Ford F-150 5.4L**  
**2010 Ford SVT Raptor 5.4l**  
**2005-2010 F-250, F-350 5.4L**  
**2005-2014 Ford Expedition 5.4L**  
**2006-08 Lincoln Mark LT 5.4L**  
**2007-13 Lincoln Navigator 5.4L**

Thank you for purchasing the Airaid Throttle Body Spacer. Please read the instruction manual carefully before proceeding with the installation. Your Airaid Throttle Body Spacer was carefully inspected and packaged. Check that no parts are missing, or were damaged during shipping. If you need any assistance please call 1-800-858-3333 to speak with a representative in our Customer Service Center before returning the product.

*Thank you for selecting AIRAID.*



**THROTTLE BODY SPACERS FOR VEHICLES LISTED ARE 50 STATE LEGAL. SEE AIRAID.COM FOR CARB STATUS ON EACH PART FOR A SPECIFIC VEHICLE.**

<b>Parts List</b>		
AIR-KIT531PA	Aluminum Plate	(1)
AIR-KIT531H	Hardware	
	O-ring	(1)
	6mm x 45mm Hex Bolts	(8)
	6mm Flat Washers	(8)
	Spacers- 3/4"OD,1/4"ID,5/16"L	(4)

<b>Tools List</b>
5/16" Socket
10mm Socket
Ratchet & Extension

## ***Installation Instructions. Read Me!***

1. **DISCONNECT NEGATIVE (-) BATTERY CABLE.**
2. Remove air intake air box assembly.
3. Remove (4) bolts from throttle body. **(Ref. "A")**
4. Install "O" ring into groove of power plate.
5. Install power plate (o-ring side up) using (4) 6mm x 45mm bolts and (4) 6mm flat washers. **(Ref. "A")**
6. Note: Airaid spacer must be installed with bore protruding into the intake manifold away from the throttle body. Incorrect installation will hinder performance.
7. Reinstall air intake air box assembly using (4) Spacers (3/4"OD, 1/4"ID, 5/16"OAL), (4) 6mm x 45mm bolts, and (4) 6mm flat washers. **(Ref. "B") (Note: 2009-2012 Models: Reuse The Factory Bolts)**
8. Inspect & Test throttle linkage for full Open & Closed travel before driving. Some cruise or kickdown cables may require adjustment. Please refer to your vehicles service manual for proper adjusting. \* **Electronic throttle requires no adjustment**

***The sound of power...The "whistle" means its working!***

**Ref. "A"**- (1) Power Plate  
(1) "O"-ring  
(4) 6mm x 45mm Hex Bolts  
(4) 6mm Flat Washers



**Ref. "B"**- (4) 6mm x 45mm Hex Bolts  
(4) 6mm Flat Washers  
(4) Spacers— 3/4"OD, 1/4"ID, 5/16"OAL



AIR-I40531D  
Rev. 6.16.20