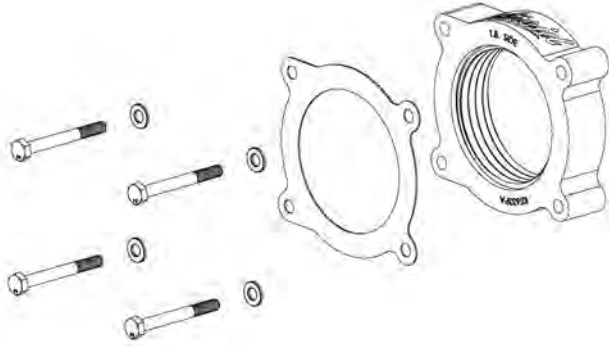




Installation Instructions
Part Number 400-633
Poweraid Spacer For
2009-10 Ford F-150
4.6L 3-V

Parts List

- AIR-KIT633PA Aluminum Plate (1)
- AIR-KIT633G Gasket (1)
- AIR-KIT633H Hardware
 - 6mm x 75mm Hex Bolts (4)
 - 6mm Flat Washers (4)



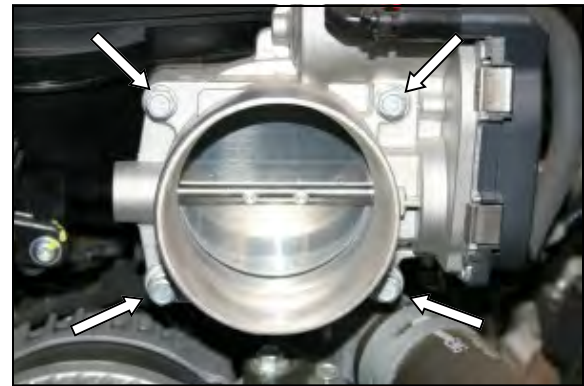
Tools Required For Installation

- 5/16", 10mm Sockets
- Ratchet & Extension

**THROTTLE BODY SPACERS FOR VEHICLES LISTED ARE
50 STATE LEGAL. SEE AIRAID.COM FOR CARB STATUS ON
EACH PART FOR A SPECIFIC VEHICLE.**

Thank you for purchasing the Airaid Throttle Body Spacer. Please read the instruction manual carefully before proceeding with the installation. Your Airaid Throttle Body Spacer was carefully inspected and packaged. Check that no parts are missing, or were damaged during shipping. If you need any assistance please call 1-800-858-3333 to speak with a representative in our Customer Service Center before returning the product.

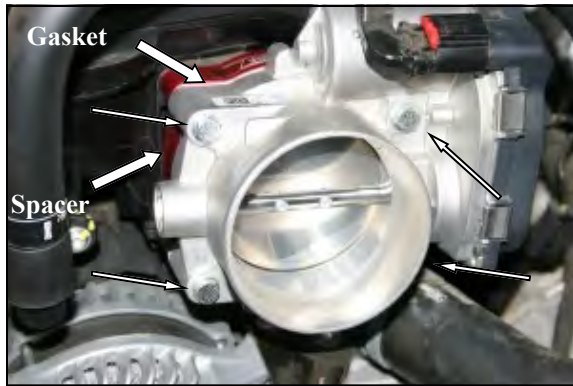
Thank you for selecting AIRAID.



1. Disconnect the negative battery cable!

Disconnect the crankcase breather hose from the engine air intake tube by pushing on the green tab, and removing the hose from the nipple. Loosen the hose clamp that secures the intake tube to the throttle body, and the one that secures the intake tube to the airbox lid. Remove the intake tube and set aside for now.

2. Remove the four bolts from the throttle body, and remove the throttle body from the intake manifold, and set it aside. There's no need to disconnect the wiring harness.



3. Insert the four 6mm x 75mm bolts (#3) with washers (#4) thru the throttle body, one gasket (#2), and thru the Airaid Spacer (#1), and into the intake manifold. Tighten all four throttle body bolts evenly, to the manufacturer's specifications. **Do Not Over Tighten The Bolts!**



4. Re-install the factory intake tube onto the throttle body and the airbox lid, and tighten the hose clamps. Re-connect the breather hose to the factory intake tube.
Re-connect the negative battery cable!

The sound of power...The "whistle" means its working!

Contact your nearest Airaid dealer for an Airaid Intake System for your car, truck or SUV.

AIR-I40633E
Rev. 09.29.20