



# Installation Instructions

For Part Numbers:

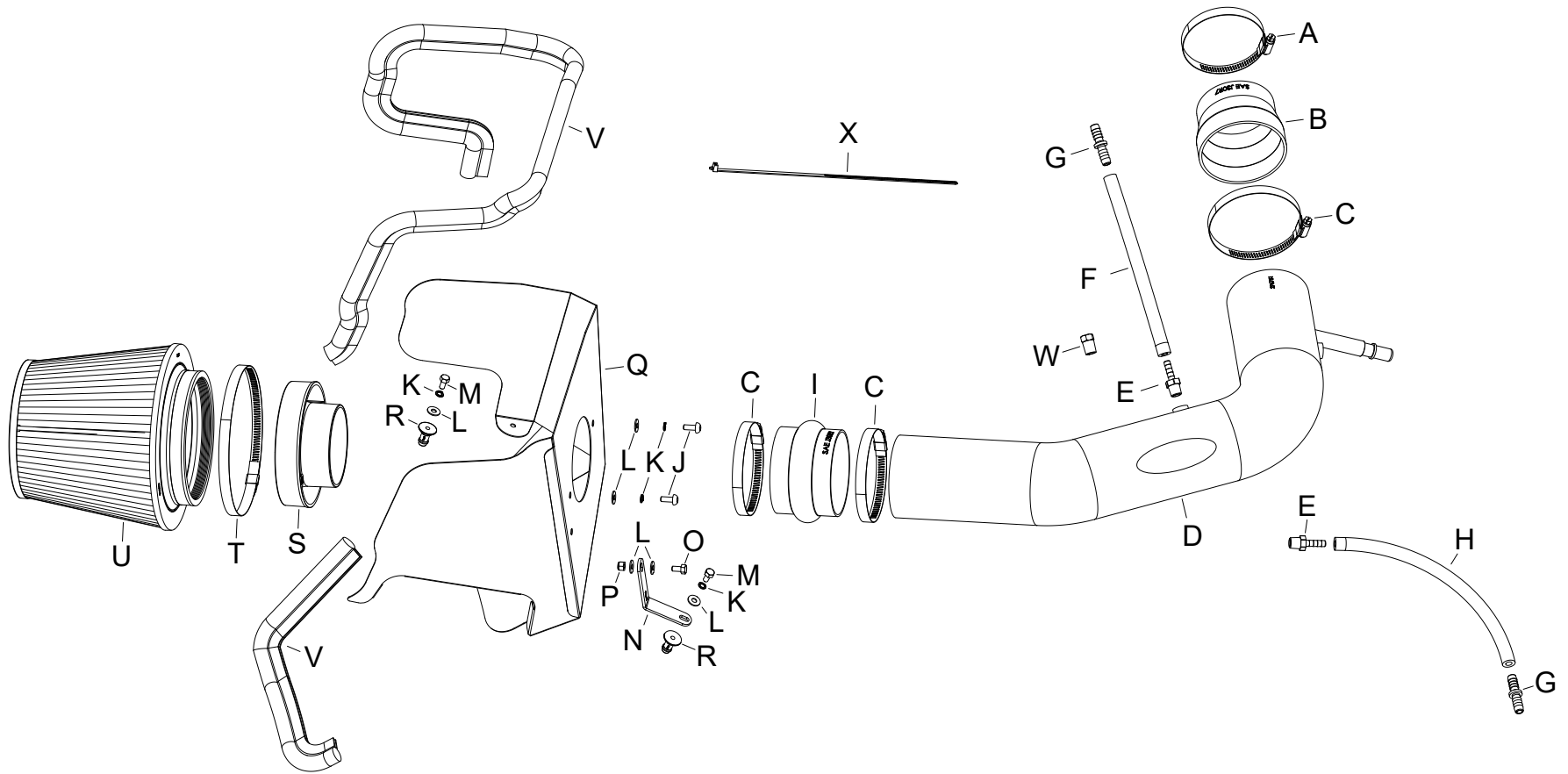
402-369 702-462 SynthaMax Dry Media Filter - Black

2017-19 FORD F-250 / F-350

V8-6.2L

NOT LEGAL FOR SALE OR USE ON ANY POLLUTION CONTROLLED MOTOR VEHICLE IN CALIFORNIA OR STATES ADOPTING CALIFORNIA EMISSION PROCEDURES.

See Airaid.com for CARB status on each part for a specific vehicle



## PARTS LIST:

Description	Qty.	Part #	Description	Qty.	Part #	Description	Qty.	Part #
A HOSE CLAMP #56	1	08620	I HOSE; HUMP 4" ID X 3" L	1	08418	Q HEAT SHIELD	1	073251
B HOSE; 4"ID TO 3.5"ID X 3"L	1	08497	J BOLT; M6 X 1 X 16MM BTNHD	2	07730	R MOUNT, PLASTIC AIRBOX	2	8-186-1
C HOSE CLAMP #64 STAINLESS	3	08645	K WASHER, M6 SPLIT LOCK ZINC	4	1-3025	S ADAPTOR; #454	1	27300
D INTAKE TUBE; (AL)	1	27675TK	L WASHER; 6MM FLAT	6	08269	T HOSE CLAMP; #104	1	KITHS104
E VENT; STRT, 3/8"HOSE, 1/4"	2	08047	M BOLT; M6 X 1 X 12MM HEXHD	2	07727	U FILTER CHARGER	1	702-462
F HOSE; 3/8"ID X 8"L	1	5-1008	N BRACKET; L	1	064346	V EDGE TRIM; (57")	1	102470
G VENT; STRT 3/8"HOSE	2	08041	O BOLT; M6-1 X 16MM HEX	1	07812	W PLUG; 1/4 NPT, PLASTIC	1	08032
H HOSE; 3/8"ID X 6"L	1	5-1006	P NUT; 6MM NYLOCK, HEXHD	1	07512	X CABLE TIES; 11" BLACK	1	21590

Full color instructions can be viewed on our web site at Airaid.com. If you need any assistance please call 1-800-498-6951 to speak with a representative in our Customer Service Center before returning the product.

## TO START:

1. Turn off the ignition and disconnect the negative battery cable.

**NOTE: Disconnecting the negative battery cable erases pre-programmed electronic memories. Write down all memory settings before disconnecting the negative battery cable. Some radios will require an anti-theft code to be entered after the battery is reconnected. The anti-theft code is typically supplied with your owner's manual. In the event your vehicles anti-theft code cannot be recovered, contact an authorized dealership to obtain your vehicles anti-theft code.**



2. Release the spring clamp that secures the EVAP vent line to the intake plenum. Then release the locking tap on the Crankcase vent fitting and disconnect the crankcase vent from the intake plenum.



3. Disconnect the vent line from the intake plenum where shown, then unhook the heater hose clip from the intake plenum.



4. Loosen the hose clamps that secure the intake plenum to the air filter housing and to the throttle body, then remove the intake plenum from the vehicle.



5. Unhook the wiring pigtail from the upper air filter housing.



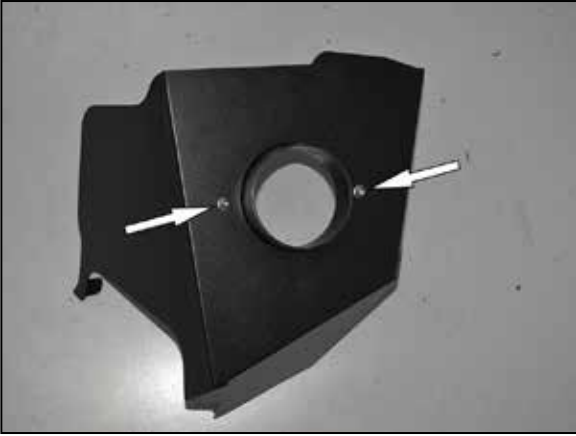
6. Remove the two bolts that secure the air filter housing to the mounting bracket and remove the air filter housing from the vehicle.

**NOTE: AIRAID recommends that customers do not discard factory air intake.**

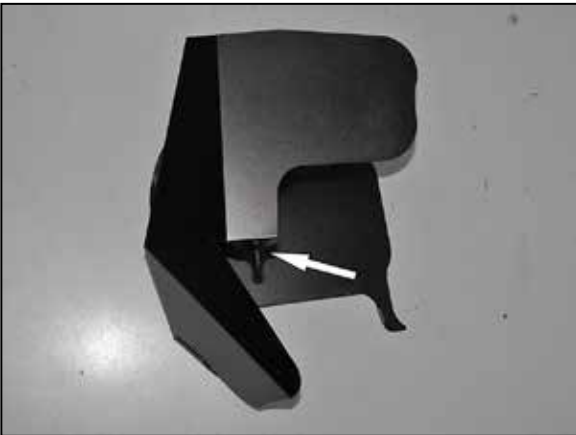
## Continued...



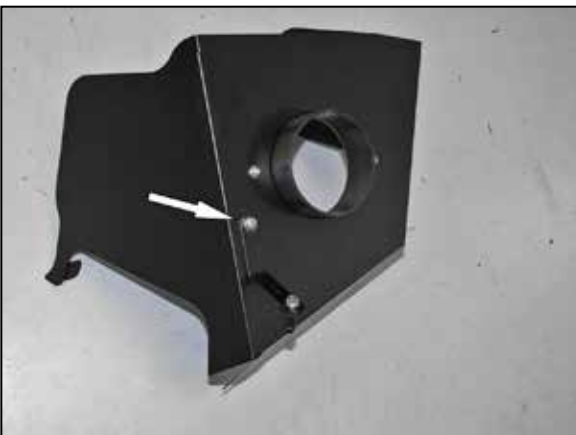
7. Remove the two bolts that secure the air filter mounting bracket to the fender and then remove the bracket from the vehicle.



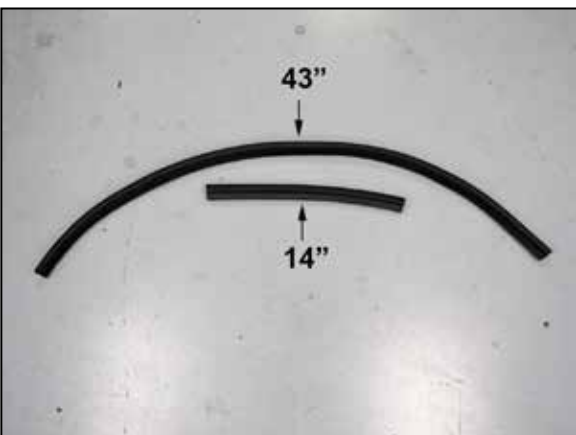
8. Install the air filter adapter through the heat shield and secure with the provided hardware.



9. Install the mounting stud onto the heat shield using the provided hardware.



10. Install the mounting bracket (064346) onto the heat shield and then install the remaining mounting stud onto the bracket as shown using the provided hardware.



11. Cut the provided edge trim into two lengths as shown. One section should be 14" long and the other section should be 43" long.



12. Install the edge trim onto the heat shield as shown.



13. Install the AIRAID air filter onto the filter adapter and secure with the provided hose clamp.



14. Install the heat shield assembly into the vehicle so that the mounting studs insert into the factory air filter housing grommet locations.



15. Install the provided hump coupler (08418) onto the filter adapter and secure with the provided hose clamp.



16. Install the provided step coupler (08497) onto the throttle body and secure with the provided hose clamp.



17. Secure the wiring pigtail from step #5 to the A/C line with the provided tie wrap.



18. Install the two provided NPT vent fittings into the AIRAID intake tube as shown.  
**NOTE: On vehicles that only have one vent line, install the provided 1/4npt plug in its place.**  
**NOTE: Plastic NPT fittings are easy to cross thread. Install the vent fitting "hand" tight, then turn it two complete turns with a wrench.**



19. Install the AIRAID intake tube into the hump coupler and then into the step coupler at the throttle body, adjust the tube for best fit and then secure with the provided hose clamps.



20. Install the two provided hose menders into the provided vent hoses as shown.



21. Install the shorter vent hose assembly onto the AIRAID intake tube and then connect the other end into the EVAP vent line.

## Continued...



22. Install the longer vent hose assembly onto the AIRAID intake tube and then into the factory vent line as shown.

**NOTE: On vehicles that are not equipped with the second vent line this step will be skipped.**

**NOTE: Plastic NPT fittings are easy to cross thread. Install the vent fitting "hand" tight, then turn it two complete turns with a wrench.**



### 23. Double check your work!

Make sure there is no foreign material in the intake path. Make sure all clamps, hoses, bolts, and screws are tight. Double check the hood clearance!

**Reconnect the negative battery cable!**

Thank you for purchasing the Airaid Intake System. Contact Airaid @ (800) 498-6951 8:00 AM - 5:00 PM MST weekdays for questions regarding fit or instructions that are not clear to you. Your Airaid Intake System was carefully inspected and packaged. Check that no parts are missing, or were damaged during shipping. If any parts are missing, contact Airaid. The air filter element is protected from direct exposure to water and debris; care should be taken not to drive through deep water.

**WATER INGESTION IS THE DRIVERS RESPONSIBILITY!** The air filter is reusable and should be cleaned periodically.

### FILTER IDENTIFICATION 702-462 Airaid SynthaMax Dry Media - Black

For your Oiled media filter we offer the  
Airaid Tune Up Kit!



P/N 790-551 Aerosol Spray  
P/N 790-550 Squeeze Spray



**NOT LEGAL FOR SALE OR USE ON ANY POLLUTION CONTROLLED MOTOR VEHICLE IN CALIFORNIA OR STATES ADOPTING CALIFORNIA EMISSION PROCEDURES.**

See [Airaid.com](http://Airaid.com) for CARB status on each part for a specific vehicle

*SynthaMax*

Synthamax Air Filters **do not** require oil. Service air filter as needed by cleaning with common non-petroleum all-purpose household cleaner and water. Simple Green®, Formula 409® or equivalent works great. Apply cleaner to outside of air filter and allow to soak. Then flush filter clean from the inside out with a garden hose and repeat steps if necessary. Do not apply high pressure water or air to clean filter. Allow filter to air dry and reinstall.