



## Installation Instructions

For Part Numbers:

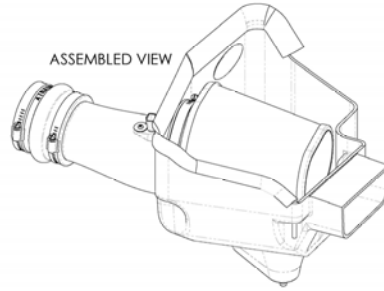
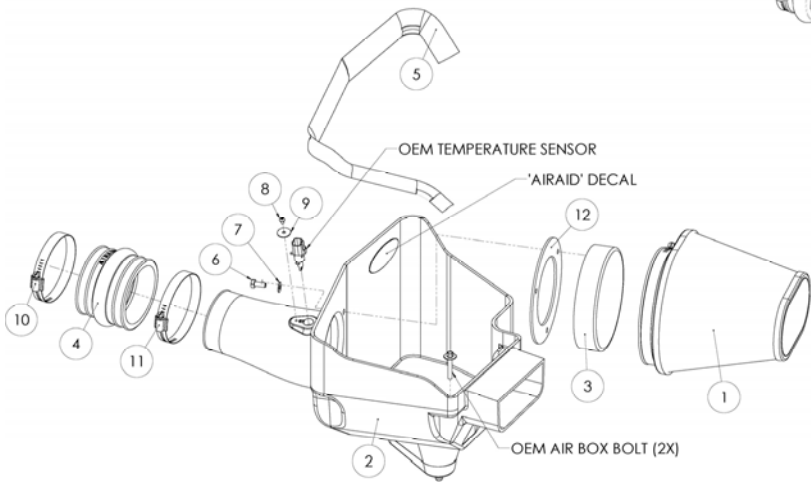
450-260	720-479 Airaid Oiled Media Filter
451-260	721-479 SynthaMax Dry Media Filter - Red
452-260	722-479 SynthaMax Dry Media Filter - Black
453-260	723-479 SynthaMax Dry Media Filter - Blue

**INTAKE SYSTEMS FOR VEHICLES LISTED ARE 50 STATE LEGAL. SEE AIRAID.COM FOR CARB STATUS ON EACH PART FOR A SPECIFIC VEHICLE.**

**2010-17 Ford Taurus SHO  
2010-17 Ford Flex  
2010-16 Lincoln MKS  
2010-17 Lincoln MKT  
3.5L V6 Eco-Boost**

### Component Identification

1. AIR-720/721-799	Airaid Premium Filter	1
2. AIR-KIT260CAB	Airaid Cool Air Box	1
3. AIRKIT-214FADA	Filter Adapter	1
4. AIR-KITHUMPHS11EPDM	Hump Hose Reducer	1
5. AIR-KITSTRIP22	Weather Strip 26 3/8"	1
6. AIR-KIT25C62HCSS	1/4-20x5/8" Hex Head Bolt	3
7. AIR-KIT09FWZ019	1/4" Flat Washer	3
8. AIR-KIT15BHC3016	8-32 x 1/4" Button Head Bolt	1
9. AIR-KITWASH02	#8 x 3/4" O.D. Flat Washer	1
10. 08620	#56 Hose Clamp	1
11. 08624	#60 Hose Clamp	1
12. AIR-KIT214G	Adapter Gasket	1
13. KIT-STICKER12	Airaid Decal	1



Full color instructions can be viewed on our web site at [Airaid.com](http://Airaid.com). If you need any assistance please call 1-800-858-3333 to speak with a representative in our Customer Service Center before returning the product.



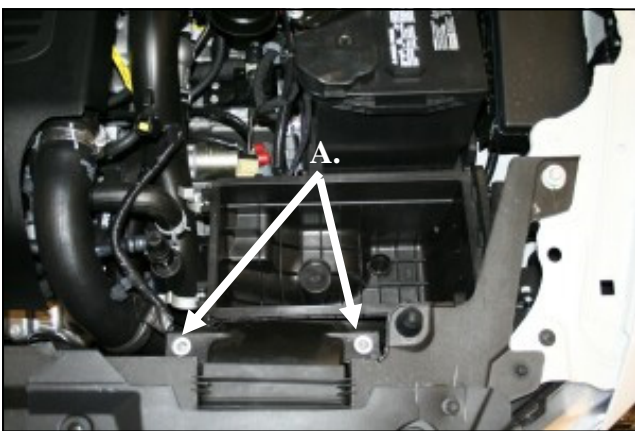
1. **Disconnect the negative battery cable.**  
A.) Loosen the hose clamps that secure the flexible intake tube to the factory air box and the 90 degree. elbow pipe. B.) Compress the flexible intake tube and remove it from the vehicle. It will not be re used.



2.A.) Unfasten the factory air box clips and separate the upper half of the air box from the intake assembly. B.) Disconnect the air temperature sensor.



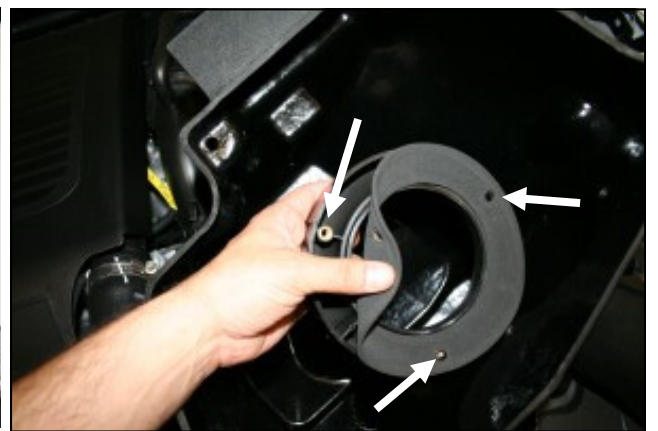
3. Using a pair of needle nose pliers, carefully compress the fins of the wiring harness anchor and pull it out of the air box lid.



4. A.) Using an 8mm socket, remove the two factory air box bolts and set aside. The will be reused in step 11. B.) Remove the factory air filter element.



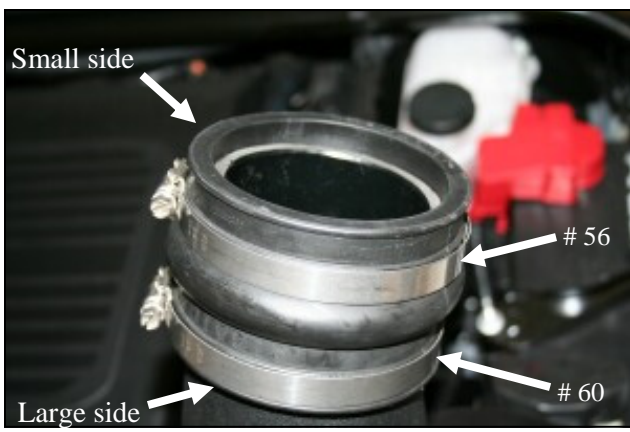
5. Remove the factory air box assembly from the vehicle.



6. Prepare the Filter Adapter for installation by positioning the Adapter Gasket on the mounting side and lining up the holes.



7. Install the Filter Adapter to the inside of the Cool Air Box, CAB using the three 1/4"-20 hex head bolts and 1/4" flat washers as shown.



8. A) Install the Hump Hose, large side first onto the CAB tube. Loosely install the #56 Hose Clamp on the small side of the Hump Hose, and the #60 Hose Clamp 1) on the Large side. ( B ) Slide the Hump Hose and Clamps downward on the tube, creating a compact assembly as shown.



9. Remove the Air Temperature Sensor from the factory air box by rotating the sensor 1/4 turn counter clockwise and pulling outward.



10. A) Transfer the factory Air Temperature Sensor into the Airaid Intake tube and align the sensor tab with the Groove in the tube. B) Secure the sensor to the tube using the 8-32 Button Head Bolt and the 3/4" washer .



11. A.) Place the CAB in the original location of the Factory Air box and secure using the factory hardware from step 4. B.) Slide the coupler and clamps onto 90 deg. Elbow pipe and tighten the clamps. C.) Reconnect the Air Temperature Sensor. Apply the Airaid Decal inside of the Airbox as shown.



12. Install the Airaid Premium Filter onto the Filter adapter and tighten the clamp.



13. Install the weather strip (#5) onto the top of the CAB as shown starting near the radiator and working your way towards the fender.

#### 14. Double check your work!

Make sure there is no foreign material in the intake path. Make sure all clamps, hoses, bolts, and screws are tight. Double check the hood clearance!

**Reconnect the negative battery cable!**

Thank you for purchasing the Airaid Intake System. Contact Airaid @ (800) 498-6951 8:00 AM - 5:00 PM MST weekdays for questions regarding fit or instructions that are not clear to you. Your Airaid Intake System was carefully inspected and packaged. Check that no parts are missing, or were damaged during shipping. If any parts are missing, contact Airaid. The air filter element is protected from direct exposure to water and debris; care should be taken not to drive through deep water. WATER INGESTION IS THE DRIVERS RESPONSIBILITY! The air filter is reusable and should be cleaned periodically.

### FILTER IDENTIFICATION

720-479 Airaid Oiled Media  
722-479 Airaid SynthaMax Dry Media - Black

721-479 Airaid SynthaMax Dry Media - Red  
723-479 Airaid SynthaMax Dry Media - Blue

**For your Oiled media filter we suggest using the AIRAID Filter Tune-Up Kit!**



P/N 790-551 Aerosol Spray  
P/N 790-550 Squeeze Spray



*SynthaMax*

**Do Not Oil**

Synthamax Air Filters do not require oil. Service air filter as needed by cleaning with common non-petroleum all-purpose household cleaner and water. Simple Green®, Formula 409® or equivalent works great. Apply cleaner to outside of air filter and allow to soak. Then flush filter clean from the inside out with a garden hose and repeat steps if necessary. Do not apply high pressure water or air to clean filter. Allow filter to air dry and reinstall.

**INTAKE SYSTEMS FOR VEHICLES LISTED ARE 50 STATE LEGAL. SEE AIRAID.COM FOR CARB STATUS ON EACH PART FOR A SPECIFIC VEHICLE.**