

Parts List

1	Driver / left, side bar
1	Passenger / right, side bar
2	Mounting bracket, front
1	Mounting bracket, driver / left, rear
1	Mounting bracket, passenger / right, rear
10	Self-tapping hex bolt, M10
10	Flat washer, M10
10	Lock washer, M10
4	Hex bolt, M12 x 50mm
4	Flat washer, M12
4	Lock washer, M12

Torque Specifications

	METRIC	SAE
M6 bolt	3 ft.-lbs.	
M8 bolt	7 ft.-lbs.	
M10 bolt	16 ft.-lbs.	
M12 bolt	28 ft.-lbs.	
1/4" bolt		3 ft.-lbs.
5/16" bolt		7 ft.-lbs.
3/8" bolt		16 ft.-lbs.
7/16" bolt		20 ft.-lbs.
1/2" bolt		28 ft.-lbs.

Level of Difficulty

Easy



Scan for helpful install tips

Product Image



Notes and Maintenance

Before you begin installation, read all instructions thoroughly.

Proper tools will improve the quality of installation and reduce the time required.

To protect the product, wax after installing. Regular waxing is recommended to add a protective layer over the finish. Do not use any type of polish or wax that may contain abrasives that could damage the finish.

For gloss black finishes, mild soap may be used to clean the product.

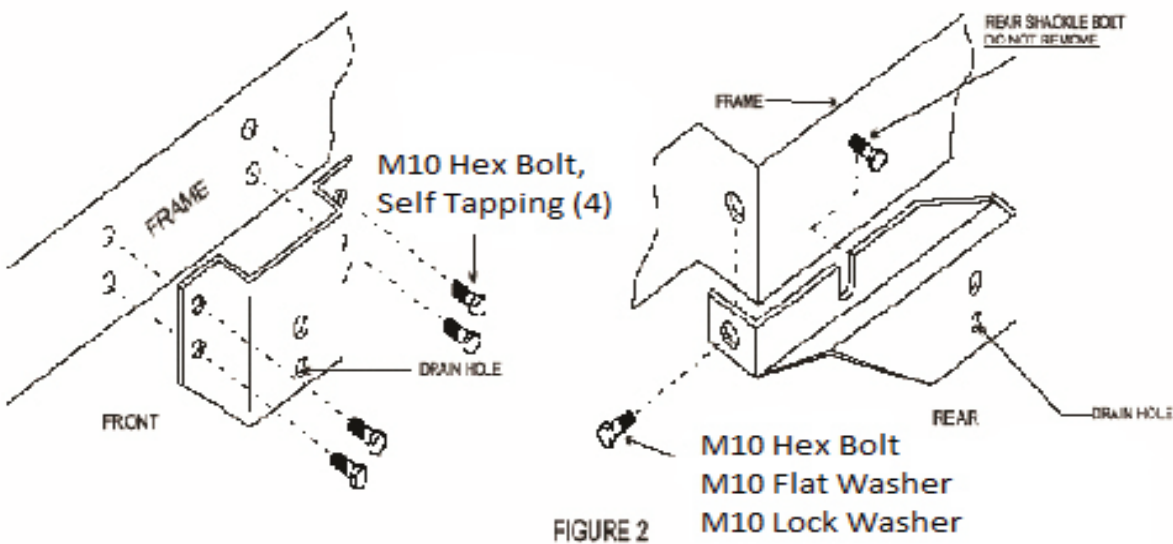
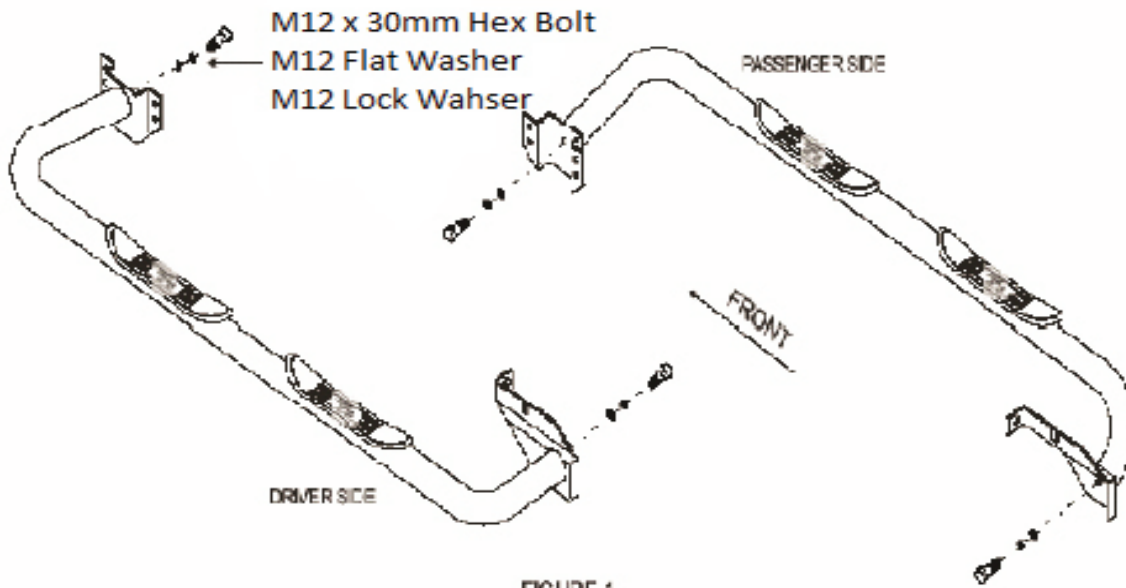
Refer to the table to the left when securing hardware during the installation process to help prevent damage to the product or vehicle.

Procedure

1. Begin installation by working on driver side of the vehicle.
2. Install the front and rear mounting brackets onto the side bars using four M12 hex bolts, lock washers and flat washers. Snug the hardware, but do not fully tighten. See figure 1.
3. Loosen the front rear spring bolt enough to slide the slotted, top edge of the rear bracket underneath the head of the bolt. **Note:** Do not remove this bolt. See figure 2.
4. Place the rear of the side bar onto the spring bracket and tighten the spring bolt until it holds the rear bracket in place. See figure 2.
5. Hold up the front end of the side bar to the front of the sub frame. Check to be sure the side bar is properly aligned with the body and mark the holes to be drilled.

Note: On some models, be cautious of the diagonal oblong hole. It may be necessary to place the front mounting bracket at an angle to miss this hole. See figure 2.

6. Drill the holes for the front bracket using an 8mm drill bit.
7. Secure the front mounting bracket to the sub frame using four M10 self-tapping hex bolts, flat washers and lock washers. Snug the hardware, but do not fully tighten.
8. Tighten all fasteners to the recommended torque specifications on page 1. Repeat this process for the passenger-side of the vehicle.
9. With the side bars installed, periodic inspections should be performed to ensure all mounting hardware remains tight. To protect your investment, see the 'Notes and Maintenance' section on the first page of this instruction manual.



ASSEMBLY AND INSTALLATION VIEW OF DRIVER SIDE - PASSENGER OPPOSITE