



**INSTALLATION INSTRUCTIONS**  
**2004-10 DURANGO 4DR**  
**PART # 205009 / 205009-2**

<u>QTY.</u>	<u>ITEM</u>	<u>CONTENT</u>
1	1	<b>DRIVER SIDE TUBE</b>
1	1	<b>PASSENGER SIDE TUBE</b>
2	2	<b>MOUNT BRACKETS</b>
2	3	<b>M12 -1.75 X 120MM HEX HEAD BOLTS</b>
2	4	<b>M12- 1.75 X 110 MM HEX HEAD BOLTS</b>
4	5	<b>1/2 -13 X 1.75" HEX HEAD BOLT</b>
8	6	<b>1/2" FLAT WASHERS</b>
8	7	<b>1/2" LOCK WASHERS</b>
4	8	<b>PLASTIC GASKETS (IF PROVIDED)</b>
4	9	<b>SPACER PLATES</b>

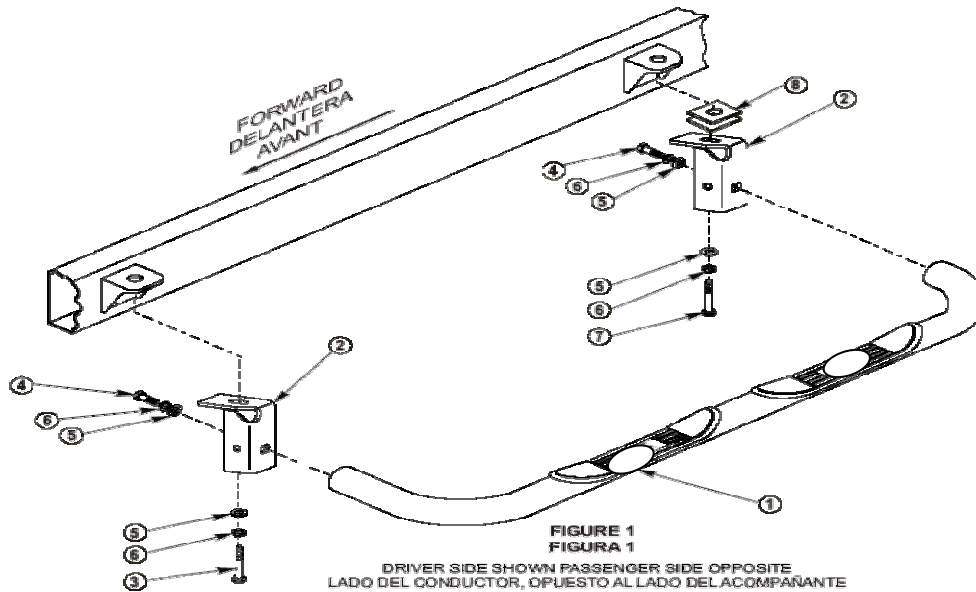
**STEP 1** REMOVE CONTENTS FROM BOX AND VERIFY ALL PART ARE PRESENT. READ INSTRUCTIONS COMPLETELY BEFORE BEGINNING.

**STEP 2** REMOVE EXISTING BODY MOUNT BOLTS.

**STEP 3** INSTALL FRONT AND REAR BRACKETS AS SHOWN –FIGURE 1

**STEP 4** ATTACH STEP BAR AS SHOWN. HAVE TIGHTEN –FIGURE 1.

**STEP 5** MAKE SURE STEP BAR AND BRACKETS ARE PROPERLY ALIGNED. TIGHTEN AND TORQUE M12 BOLTS AND 1/2" HARDWARE TO 63 LBS.



**FINISH PROTECTION-** ARIES PRODUCTS HAVE A HIGH FINISH THAT MUST BE MAINTAINED SUCH AS ANY OTHER HIGH FINISH PRODUCT ON THE VEHICLE. PROTECT THE FINISH WITH A NON-ABRASIVE AUTOMOTIVE WAX. THE USE OF SOAP, POLISH, OR WAX THAT CONTAINS ABRASIVES IS DETRIMENTAL, AS THE COMPOUNDS SCRATCH THE FINISH AND OPEN IT TO CORROSION.

**DISCLAIMER-** BUYER ASSUMES ALL RISK AND LIABILITY WHATSOEVER FROM THE INSTALLATION AND USE OF ARIES PRODUCTS. ARIES PRODUCTS ARE SOLD AS DECORATIVE ACCESSORIES AND SHOULD NOT BE RELIED UPON AS PROTECTION FOR THE VEHICLE OR OCCUPANTS IN THE EVENT OF A COLLISION OR ROLL OVER. ARIES AUTOMOTIVE ASSUMES NO LIABILITY FOR INJURY, LOSS, INCIDENTAL OR CONSEQUENTIAL DAMAGES IN THE EVENT OF A COLLISION OR ROLLOVER.