

Parts List

1	Driver / left side bar
1	Passenger / right side bar
1	Driver / left mounting bracket, front
1	Passenger / right mounting bracket, front
1	Driver / left inner support bracket, front - for 4WD vehicles with skid plate
1	Driver / left inner support bracket, front - for 2WD and 4WD vehicles without skid plate
1	Passenger / right inner support bracket, All
2	Driver / left outer support bracket, front and rear
2	Passenger / right outer support bracket, front and rear
1	Driver / left mounting bracket, rear
1	Passenger / right mounting bracket, rear
2	'L' inner support bracket, rear
6	Hex bolt, 6mm x 25mm
2	Hex bolt, 6mm x 30mm
16	Flat washer, 6mm x 18mm
8	Nylock nut, 6mm
4	Bolt plate, long, 10mm x 35mm - only for rear mounting brackets
2	Bolt plate, short, 10mm x 35mm - only for front inner support brackets
12	Hex bolt, 10mm x 30mm
2	Hex bolt, 10mm x 35mm
1	Hex bolt, 10mm x 40mm - only for 4WD vehicles
8	Flat washer, 10mm x 25mm
16	Flat washer, 10mm x 30mm
14	Lock washer, 10mm
6	Hex nut, 10mm
5	Nylock nut, 10mm
4	Bolt plate, 12mm x 40mm - only for front & rear outer support brackets
2	Hex bolt, 12mm x 35mm
4	Flat washer, 12mm x 25mm
4	Flat washer, 12mm x 30mm
6	Lock washer, 12mm
6	Hex nut, 12mm

Level of Difficulty

Easy

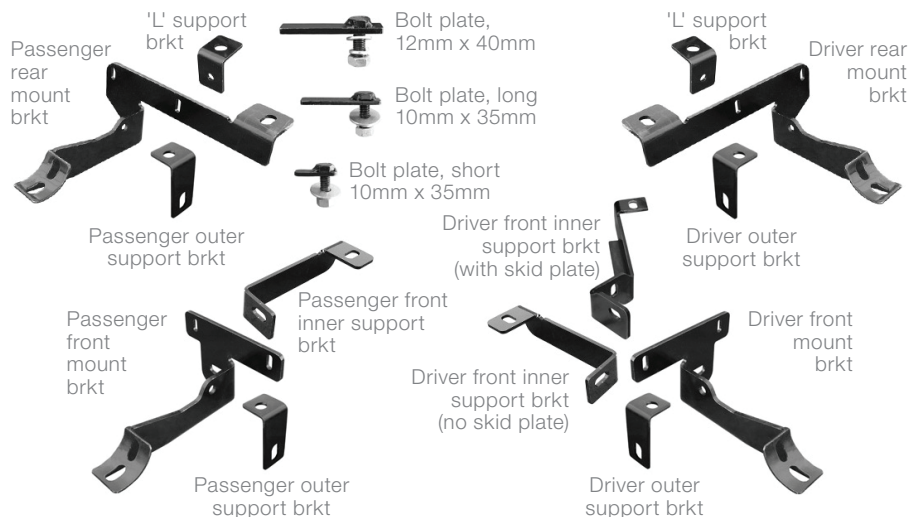


Scan for helpful install tips

Product Image



Brackets and Hardware



Notes and Maintenance

Before you begin installation, read all instructions thoroughly.

Proper tools will improve the quality of installation and reduce the time required.

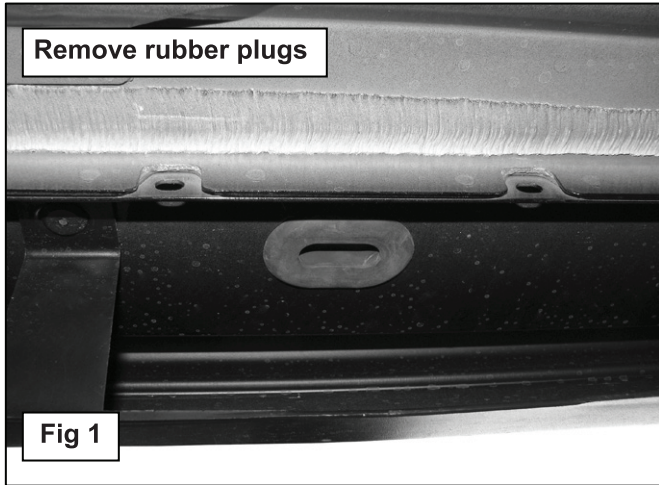
To protect the product, wax after installing. Regular waxing is recommended to add a protective layer over the finish. Do not use any type of polish or wax that may contain abrasives that could damage the finish.

For gloss black finishes, mild soap may be used to clean the product.

PROCEDURE:

1. Starting at the driver side front, remove the rubber plug filling the oval hole in the bottom of the rocker panel, **(Figure 1)**. Insert (1) 12mm x 40mm Bolt Plate into the hole and rotate 90-degrees to the slot, **(Figure 2A & 2B)**. **NOTE:** Repeat procedure for all Bolt Plate installations. Select (1) Driver Side Outer Support Bracket and secure it to the Bolt Plate with (1) 12mm Lock Washer, (1) 12mm x 25mm Small Flat Washer and (1) 12mm Hex Nut, **(Figure 3)**. Do not tighten hardware at this time.
2. Next, select the Driver Side Front Mounting Bracket. Bolt the Mounting Bracket to the back of the pinch weld with (2) 6mm x 25mm Hex Bolts, (4) 6mm Flat Washers and (2) 6mm Nylon Lock Nuts, **(Figure 4)**. Do not tighten hardware at this time.
3. Select the correct driver side Inner Support Bracket for your application, (see illustration on Page 1).
 - A. **For 2wd vehicles or 4WD without optional factory transfer case skid plate:** Locate the oval hole in the bottom of the frame channel. Insert (1) 10mm x 35mm Short Bolt Plate into the hole and rotate it 90-degrees, **(Figure 5A & 5B)**. Select the Driver Side Front Inner Support Bracket. Bolt the Bracket to the previously installed Bolt Plate with (1) 10mm Flat Washer, (1) 10mm Lock Washer and (1) 10mm Hex Nut, **(Figure 6)**. Line up the remaining hole in the Support Bracket with the hole in the center of the Front Mounting Bracket. Bolt the two Brackets together with (1) 12mm x 35mm Hex Bolt, (2) 12mm x 35mm Large Flat Washers, (1) 12mm Lock Washer and (1) 12mm Hex Nut, **(Figure 6)**. Line up the hole in the Outer Support Bracket with the hole in the Front Mounting Bracket. **Note:** The Outer Support Bracket will line up on the forward facing side of the Mounting Bracket. Bolt the two Brackets together with (1) 10mm x 30mm Hex Bolt, (2) 10mm Flat Washers and (1) 10mm Nylon Lock Nut, **(Figures 5A & 6)**. Do not tighten hardware at this time.
 - b. **For 4WD vehicles with optional transfer case skid plate. Step (b) applies to driver side Inner Support Bracket installation only. Use Step (a) above for passenger side Inner Support Bracket installation.** On the driver side, locate the hex bolt securing the rear of the skid plate to the bottom of the frame channel, **(Figure 7A)**. Remove the factory hex bolt. Select the Driver Side Front Inner Support Bracket for models **W/Factory Skid Plate**, **(Figure 7B)**. Place the Bracket over the skid plate and bolt it in place with (1) 10mm x 40mm Hex Bolt, (1) 10mm Flat Washer and (1) 10mm Lock Washer. Leave hardware loose at this time. Line up the (2) holes in the outer end of the Support Bracket with the holes in the Front Mounting Bracket. Line up the hole in the Outer Support Bracket, (See Step 1), with the hole in the Mounting Bracket and Support Bracket, **(Figure 7A)**. **Note:** The Outer Support Bracket will line up on the **rear facing** side of the Mounting Bracket, **(Figure 7B)**. Bolt the (3) Brackets together with (2) 10mm x 35mm Hex Bolts, (4) 10mm Flat Washers and (2) 10mm Nylon Lock Nuts. Do not tighten hardware at this time. **Note:** Use **Step (a)** above for passenger side Inner Support Bracket installation instructions for all vehicles.
4. Move to the driver side rear of the vehicle and remove the rubber plug in the bottom of the rocker panel as described in **Step 1**. Insert (1) 12mm Bolt Plate into the oval hole and rotate 90-degrees to the slot, **(Figure 8A)**. Select (1) Driver Side Outer Support Bracket and secure it to the Bolt Plate with (1) 12mm Lock Washer, (1) 12mm x 25mm Flat Washer and (1) 12mm Hex Nut. Locate the oval hole in the floor panel on the other side of the pinch weld, forward of this location. Insert (1) 10mm Large Bolt Plate into the hole and rotate 90-degrees to the oval hole, **(Figure 8B)**.
5. Next, select the Driver Side Rear Mounting Bracket. Bolt the Mounting Bracket to the back of the pinch weld with (1) 6mm x 25mm Hex Bolt, (2) 6mm Flat Washers and (1) 6mm Nylon Lock Nut installed in the rearmost mounting hole, **(Figure 9)**. Hang the Bracket from the previously installed forward Bolt Plate with (1) 10mm Flat Washer, (1) 10mm Lock Washer and (1) 10mm Hex Nut, **(Figure 10)**. Line up the hole in the Outer Support Bracket with the hole in the Mounting Bracket. Bolt the Brackets together with (1) 10mm x 30mm Hex Bolt, (2) 10mm Flat Washers, (1) 10mm Nylon Lock Nut, **(Figure 10 & 13)**. **Note:** The Outer Support Bracket will line up on the forward facing side of the Mounting Bracket. Do not tighten hardware at this time.
6. Locate the oval hole behind the midpoint of the Bracket. Insert (1) 10mm Large Bolt Plate into the hole and rotate 90-degrees to the oval hole as described in **Step 4**, **(Figure 10)**. Select the Rear Inner Support Bracket. Bolt the Support Bracket to the Bolt Plate with (1) 10mm Flat Washer, (1) 10mm Lock Washer and (1) 10mm Hex Nut, **(Figure 11)**. Line up the remaining hole in the Support Bracket with the hole in the middle of the Mounting Bracket. Bolt the Support Bracket to the Mounting Bracket with the longer (1) 6mm x 30mm Hex Bolt, (2) 6mm Flat Washers and (1) 6mm Nylon Lock Nut, **(Figure 12)**. Do not tighten hardware.
7. Select the left Sidebar and carefully place it in position on the (2) Mounting Brackets. Line up the threaded holes in the Sidebar with the slots in the Brackets and bolt it in place with the included (4) 10mm x 30mm Hex Bolts, (4) 10mm Lock Washers and (4) 10mm Flat Washers, **(Figure 13)**. Snug all hardware but do not tighten at this time.
8. Adjust and level the Sidebar and tighten all hardware.
9. Repeat **Steps 1 - 8** for passenger/right Sidebar installation. **NOTE:** Use **Step (a)** above only.
10. Do periodic inspections to the installation to make sure that all hardware is secure and tight.

Driver Side Installation Pictured

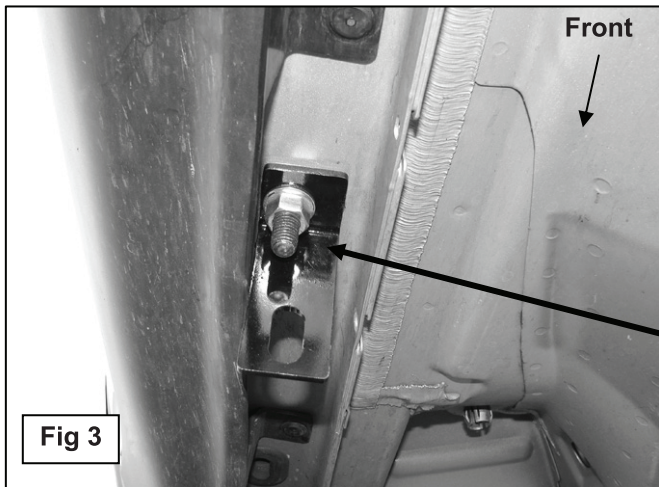
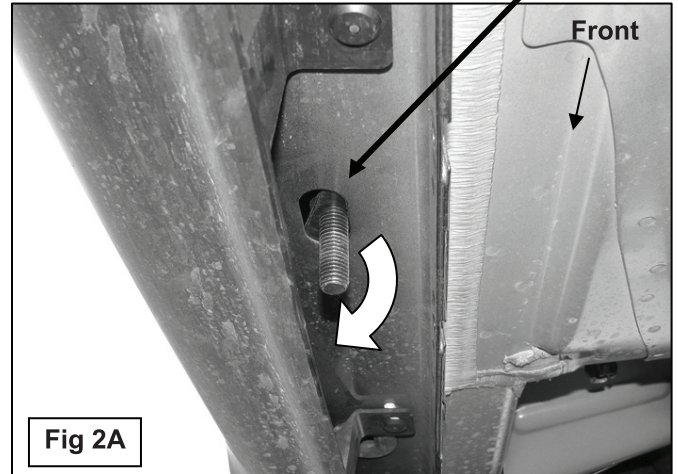


After inserting Bolt Plate, rotate 90-degrees to the slot or until Bolt Plate stops for proper installation

12mm x 40mm Bolt Plate



Fig 2B

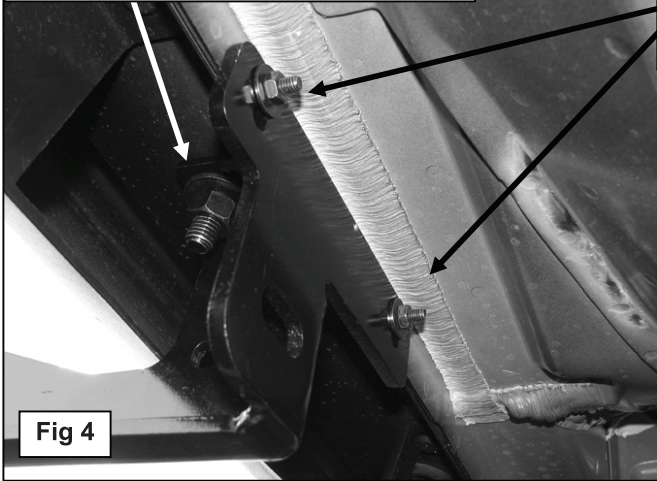


Driver Side Outer Support Bracket
(1) 12mm x 40mm Bolt Plate
(1) 12mm x 24mm Small Flat Washer
(1) 12mm Lock Washer
(1) 12mm Hex Nut

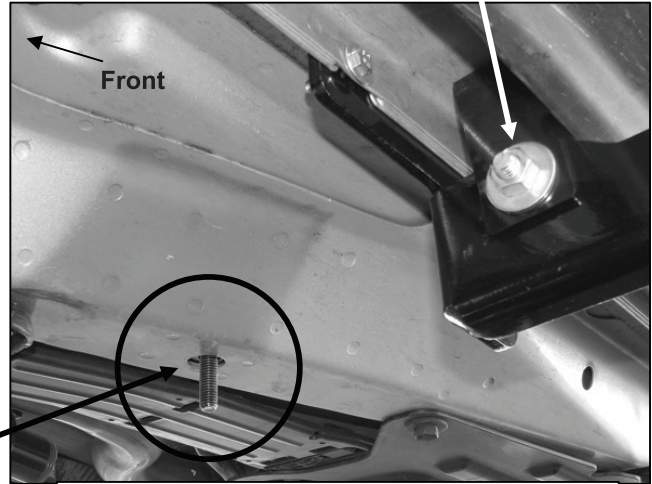
Driver Side Installation Pictured

- (1) 12mm x 40mm Bolt Plate
- (1) 12mm x 24mm Small Flat Washer
- (1) 12mm Lock Washer
- (1) 12mm Hex Nut

- Bolt Mounting Bracket to back of pinch weld
- (2) 6mm x 25mm Hex Bolts
- (4) 6mm Flat Washers
- (2) 6mm Nylon Lock Nut



- 10mm x 30mm Hex Bolt
- (2) 10mm Flat Washers
- 10mm Nylon Lock Nut

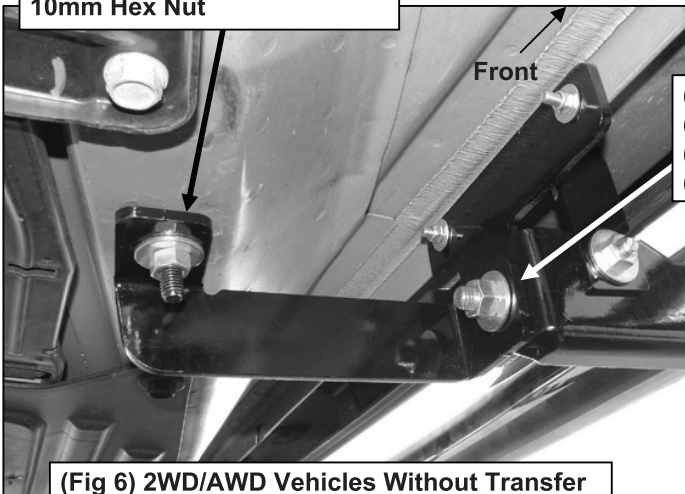


(Fig 5A) 2WD/Vehicles Without Transfer Case Skid Plate Only (Also applies to passenger side Support Bracket-all vehicles)

Fig 5B



- (Fig 5B) 10mm x 35mm Short Bolt Plate pictured with:
- 10mm Flat Washer
- 10mm Lock Washer
- 10mm Hex Nut

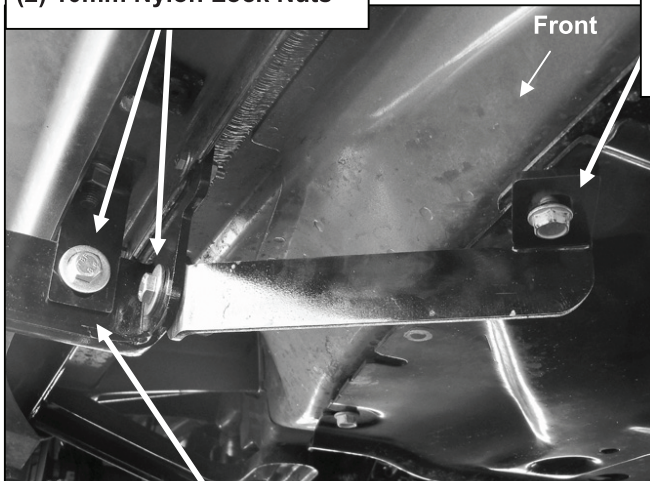


- (1) 12mm x 35mm Hex Bolt
- (2) 12mm x 32mm Large Flat Washers
- (1) 12mm Lock Washer
- (1) 12mm Hex Nut

(Fig 6) 2WD/AWD Vehicles Without Transfer Case Skid Plate Only (Also applies to passenger side Support Bracket-all vehicles)

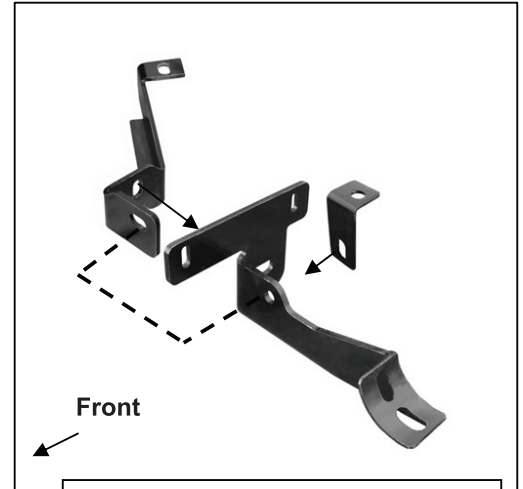
Driver Side Installation Pictured

- (2) 10mm x 35mm Hex Bolts
- (4) 10mm Flat Washer
- (2) 10mm Nylon Lock Nuts



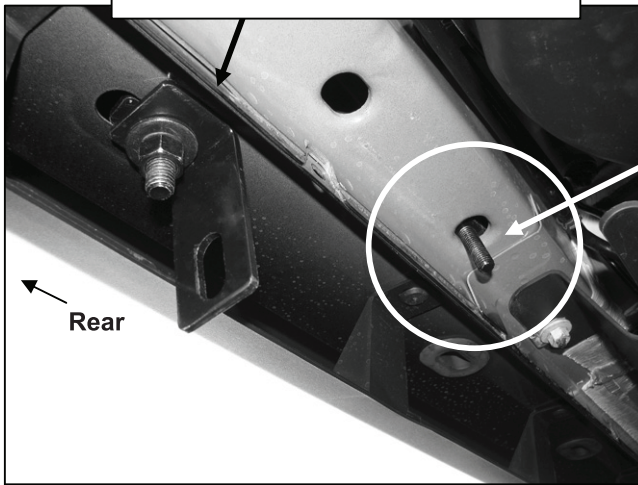
Replace factory hex bolt with:
 10mm x 40mm Hex Bolt
 10mm Lock Washer
 10mm Flat Washer

(Fig 7A) Driver side Front Support Bracket Installation for 4WD Vehicles With Transfer Case Skid Plate Only. NOTE: Move Outer Support Bracket to back of Mounting Bracket



(Fig 7B) Driver side Front Support Bracket for 4WD Vehicles With Transfer Case Skid Plate Only

- Outer Support Bracket
- (1) 12mm x 40mm Bolt Plate
 - (1) 12mm x 24mm Small Flat Washer
 - (1) 12mm Lock Washer
 - (1) 12mm Hex Nut



(Fig 8A) Driver side rear Mounting Bracket location



(Fig 8B) 10mm x 35mm Long Bolt Plate

- (1) 6mm x 25mm Hex Bolt
- (2) 6mm Flat Washers
- (1) 6mm Nylon Lock Nut

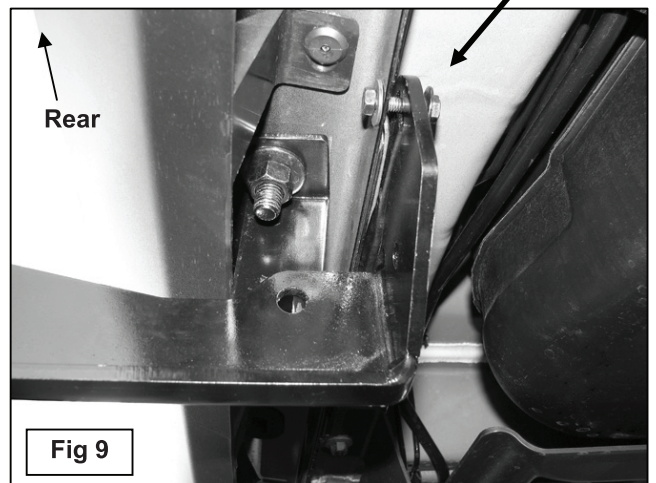
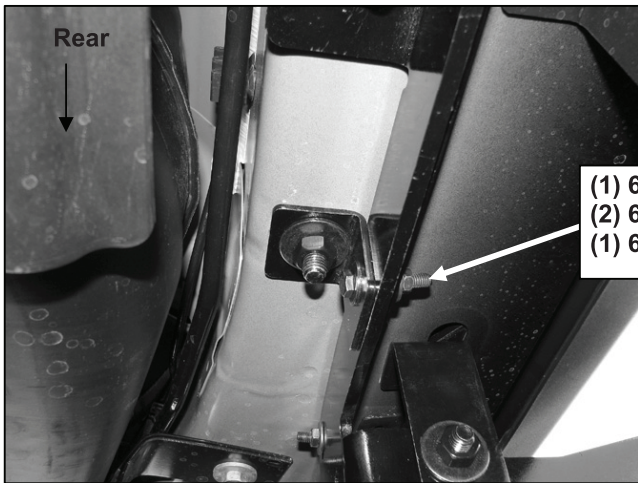
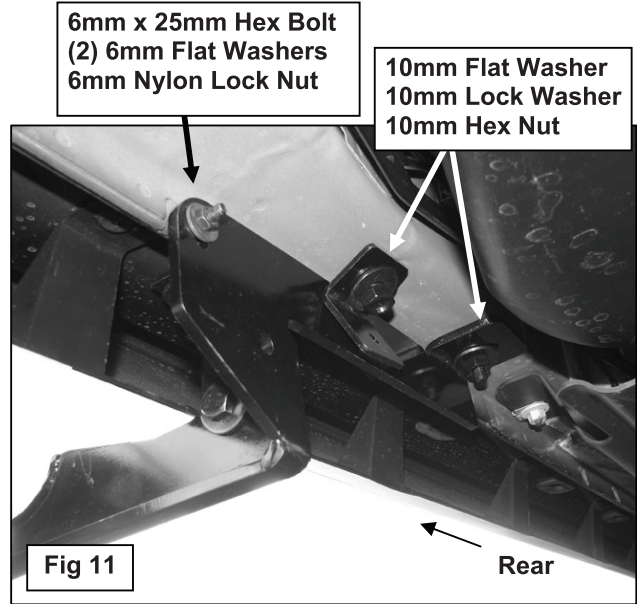
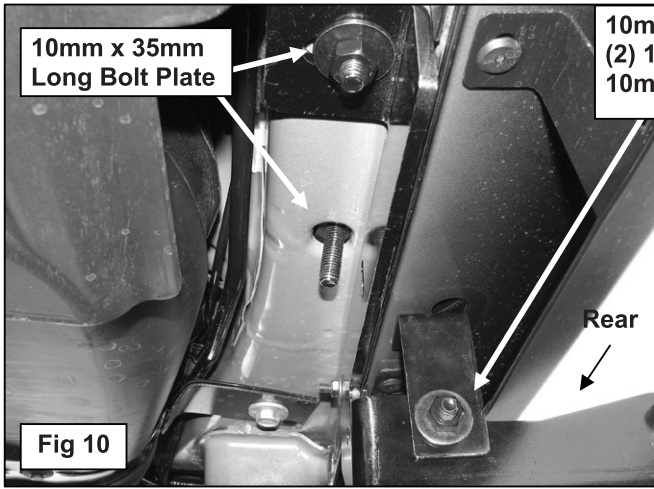
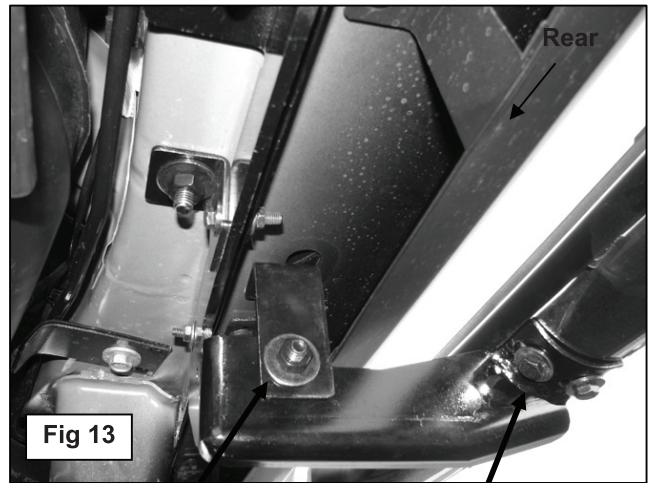


Fig 9

Driver Side Installation Pictured



(Fig 12) Inner Support Bracket to Rear Mounting Bracket Installation



10mm x 30mm Hex Bolt
(2) 10mm Flat Washers
10mm Nylon Lock Nut

10mm x 30mm Hex Bolt
10mm Lock Washer
10mm Flat Washer

